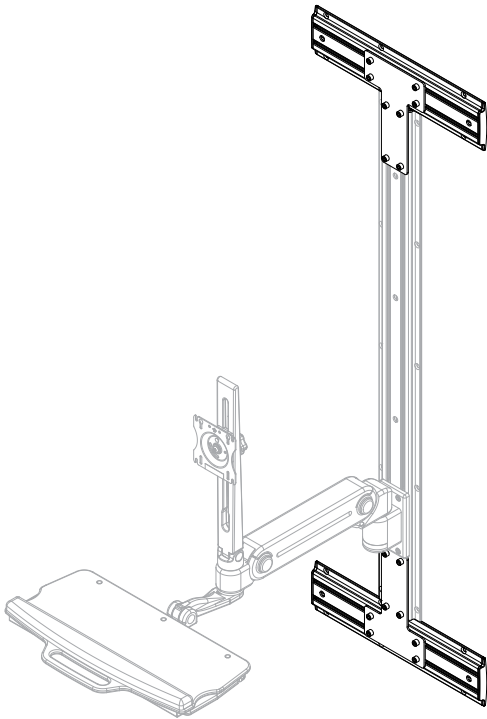


INSTALLATION INSTRUCTION FOR DUAL SPANNER



STEP 1. Track Installation
OPTION B. CPU Mount

INSTALLATION WARNING: Read the entire instruction sheet before you begin installation or assembly. Installer must verify that the entire wall will safely support the combined weight of all the attached equipment and hardware. Improper installation of this product can cause extensive property damage or serious personal injury, either during or after the installation.

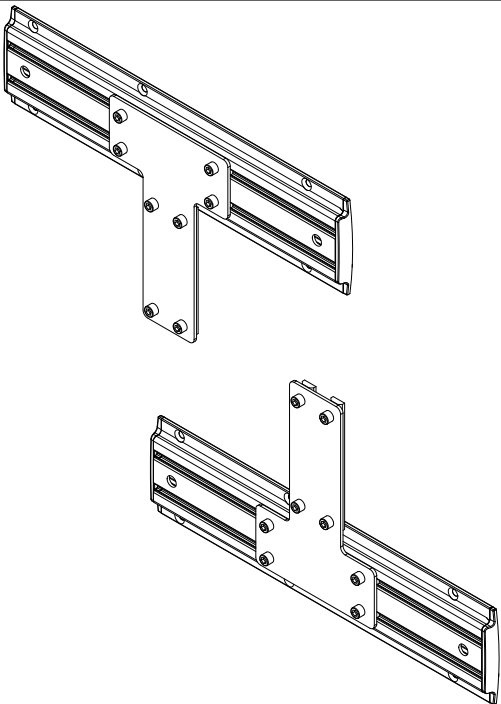
DISCLAIMER: The Manufacturer and/or Distributor will bear no responsibility for any damages of any kind arising from any improper installation of this product. Because wall construction varies widely and the ultimate method of mounting is out of the Manufacturers or Distributors control, it is imperative that the installer consult with local engineering, architectural, or construction personnel to ensure the wall is constructed properly and to code to handle the applied load. Guidelines for installing to drywall, cinder block, concrete, steel and wood studs are provided.

SAFETY WARNING: California installation could require specific anchorage, and additional screws and supports. Check with local authorities for codes in your area. Other seismic states have similar regulations.

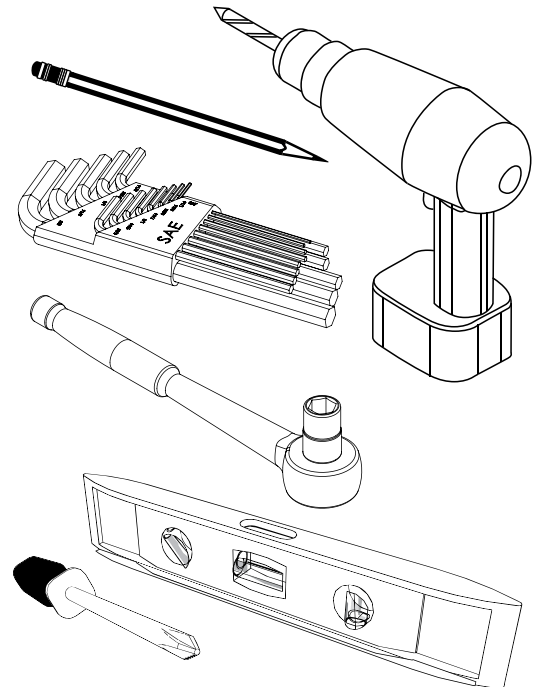
INSTALLATION WARNINGS: Read the entire instruction sheet before you begin installation or assembly. Installer must verify that the wall will safely support the combined weight of all the attached equipment and hardware. Improper installation of this product can cause extensive property damage or serious personal injury, either during or after the installation.

DISCLAIMER: The Manufacturer and/or Distributor will bear no responsibility for any damages of any kind arising from any improper installation of this product. Because wall construction varies widely and the ultimate method of mounting is out of the Manufacturers or Distributors control, it is imperative that the installer consult with local engineering, architectural, or construction personal to ensure the wall mount is constructed properly and to code to handle the applied load.

PARTS IN BOX



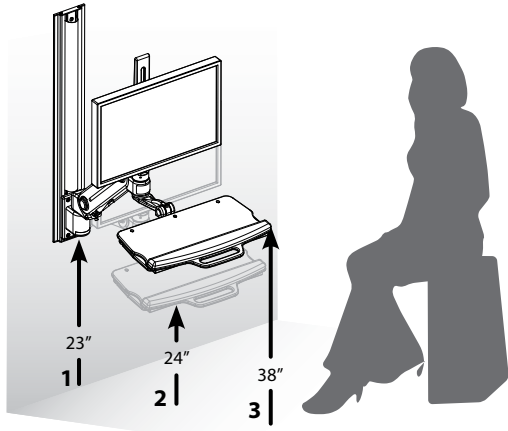
TOOLS REQUIRED



A

SITTING MOUNTING HEIGHT:

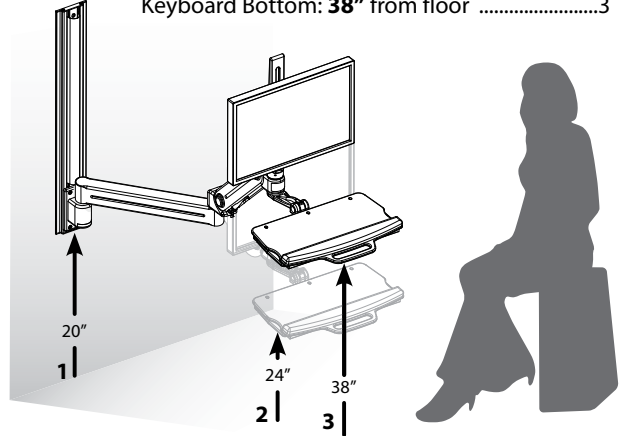
- Track: 12.55" from floor1
- Keyboard Bottom: 24" from floor2
- Keyboard Bottom: 38" from floor3



E

SITTING MOUNTING HEIGHT:

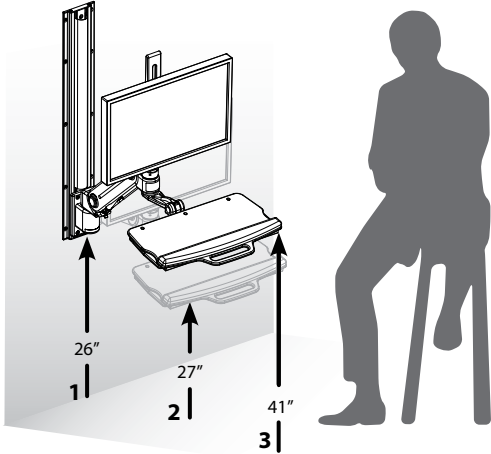
- Track: 9.55" from floor1
- Keyboard Bottom: 24" from floor2
- Keyboard Bottom: 38" from floor3



B

SIT/STAND MOUNTING HEIGHT:

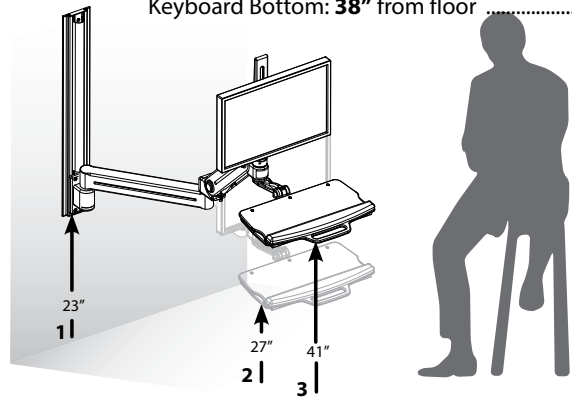
- Track: 12.55" from floor1
- Keyboard Bottom: 27" from floor2
- Keyboard Bottom: 41" from floor3



F

SIT/STAND MOUNTING HEIGHT:

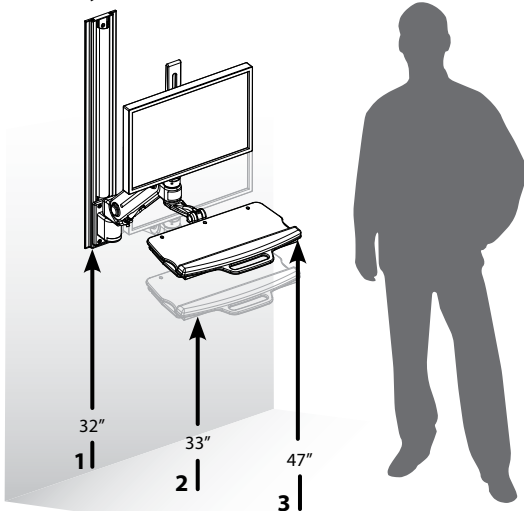
- Track: 9.55" from floor1
- Keyboard Bottom: 24" from floor2
- Keyboard Bottom: 38" from floor3



C

STANDING MOUNTING HEIGHT:

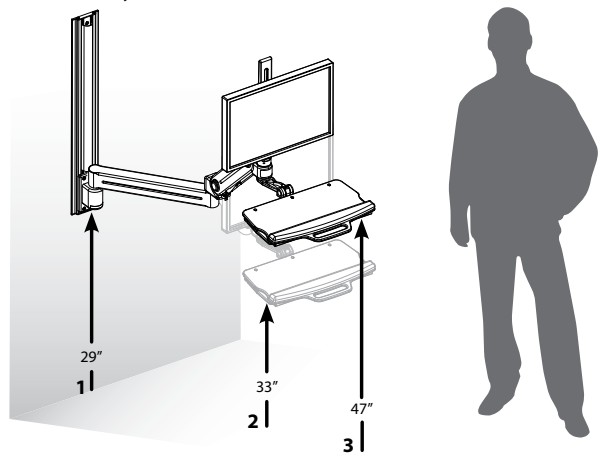
- Track: 21.55" from floor1
- Keyboard Bottom: 27" from floor2
- Keyboard Bottom: 41" from floor3



G

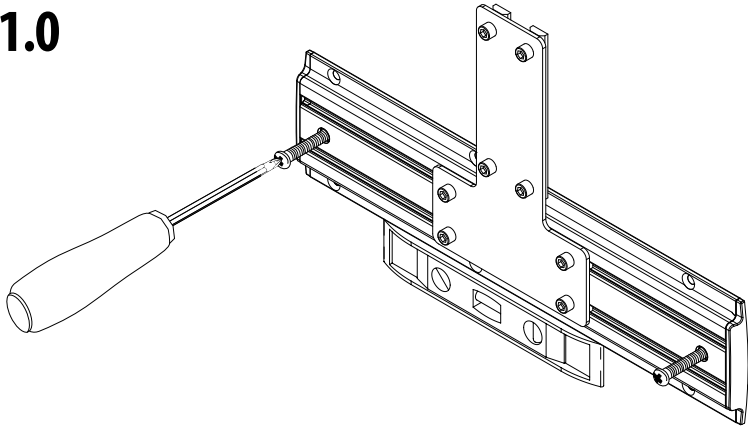
STANDING MOUNTING HEIGHT:

- Track: 18.55" from floor1
- Keyboard Bottom: 24" from floor2
- Keyboard Bottom: 38" from floor3

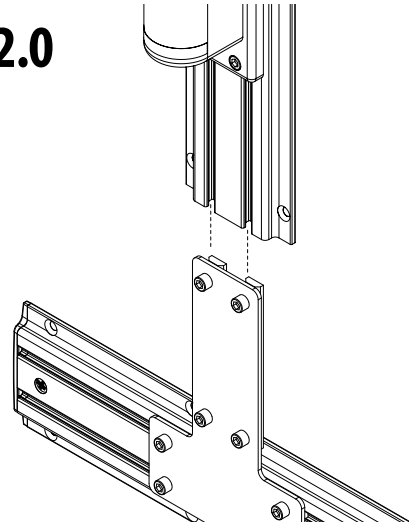


STEP 1: DUAL STUD SPANNING WALL TRACK INSTALLATION

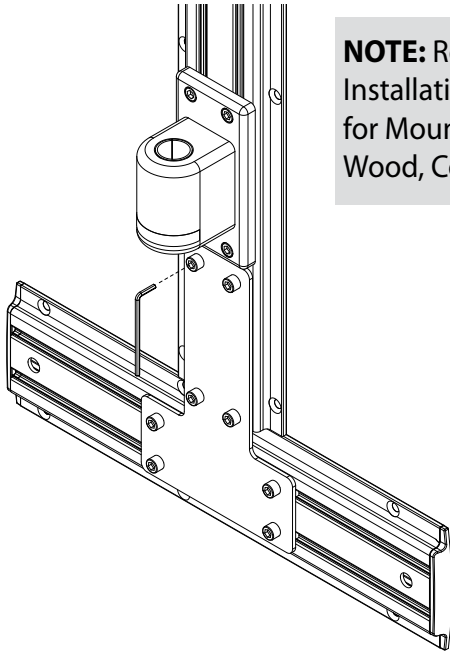
1.0



2.0

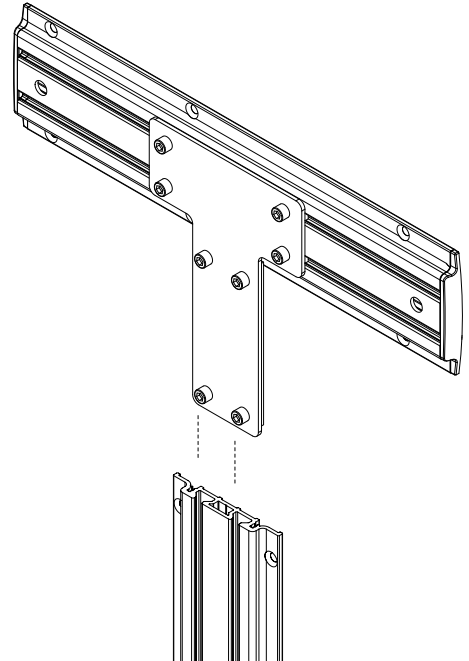


3.0

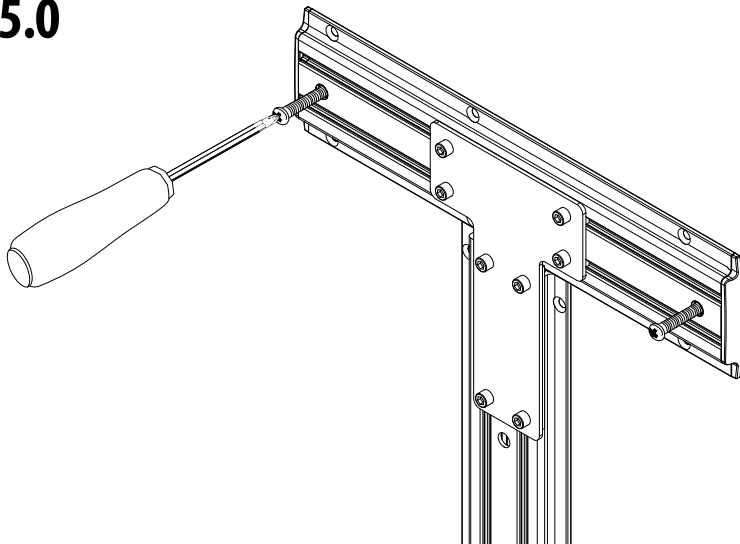


NOTE: Refer to Track Installation Instructions for Mounting to Steel, Wood, Concrete Drywall.

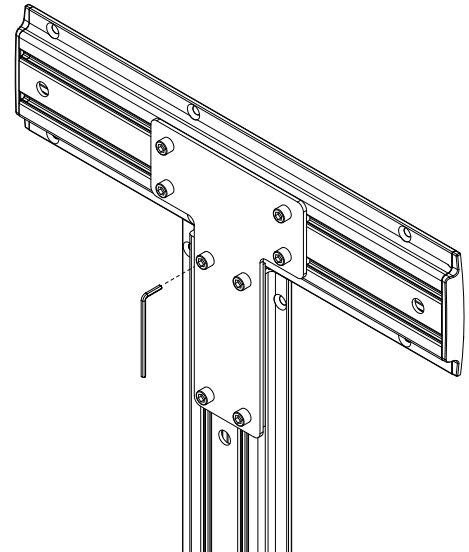
4.0



5.0



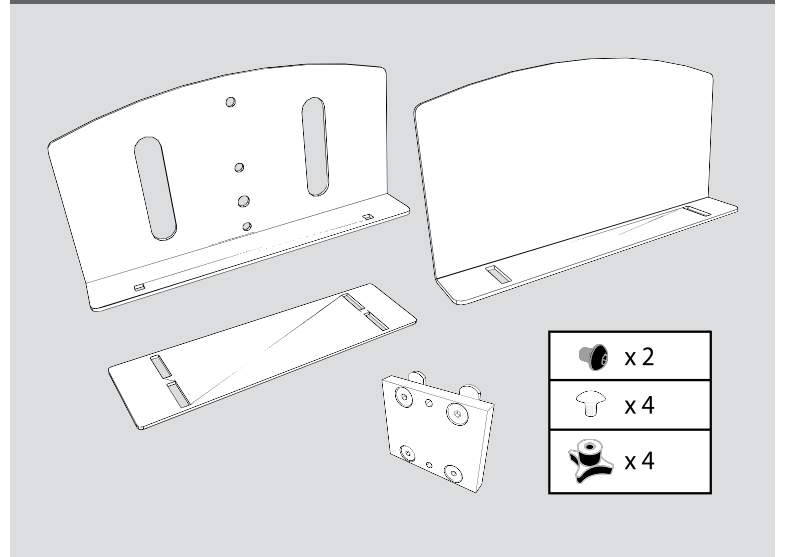
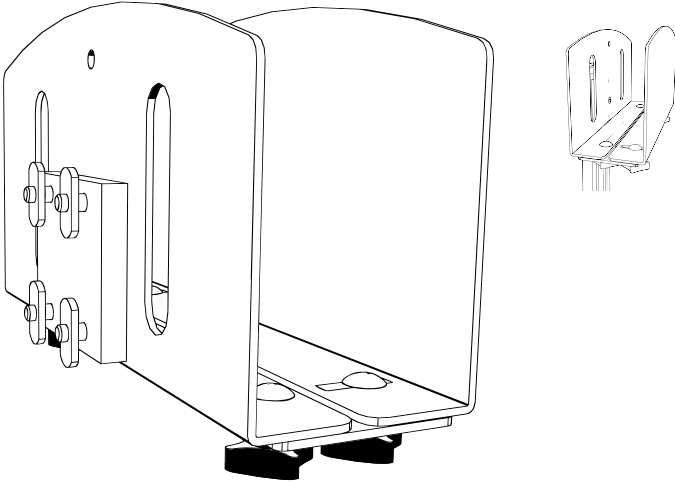
6.0



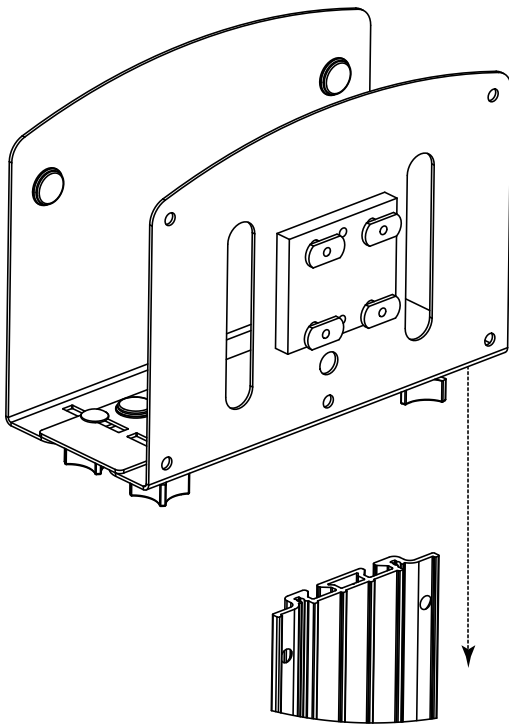
INSTALLATION INSTRUCTION FOR DUAL SPANNER

OPTION B: CPU MOUNT

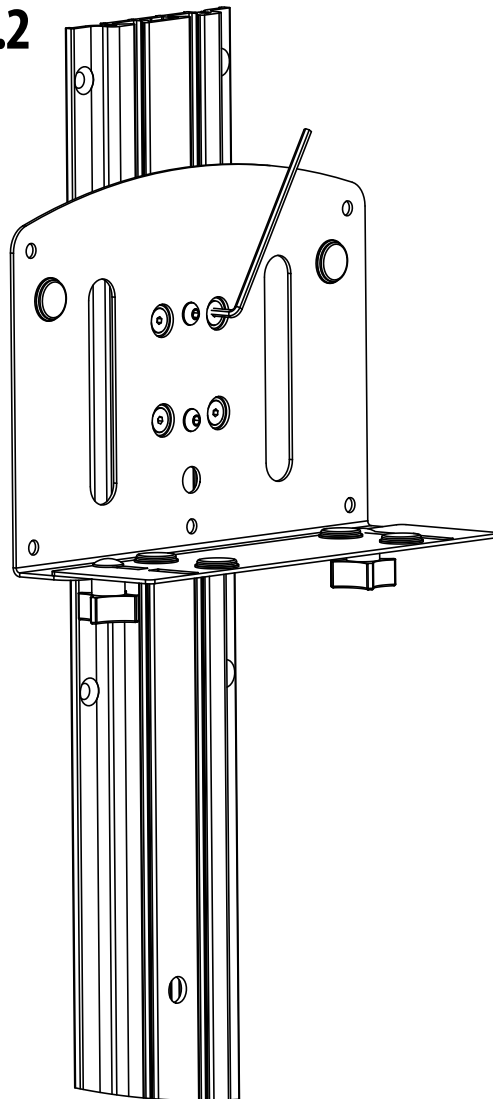
PARTS IN A BOX



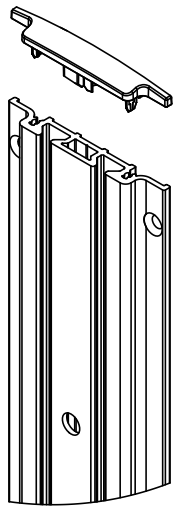
B.1



B.2



B.3



B.4

