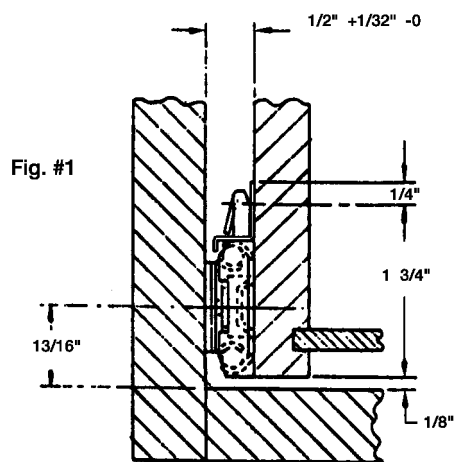


No. 8300 Drawer Slide Installation Instructions

Note:

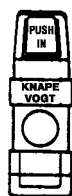
Drawer width must be 1" — 1¹/₁₆" less than drawer opening.



Step 1.

Determine right hand case member from left hand case member by locating the stamped "L" or "R" on the slide. Next, notice which letter ("L" or "R") is closest to the top of the front molded lock. (See Fig. #2). The letter that is closest to the top of the front lock determines if the case member is right hand or left hand.

Step 2.



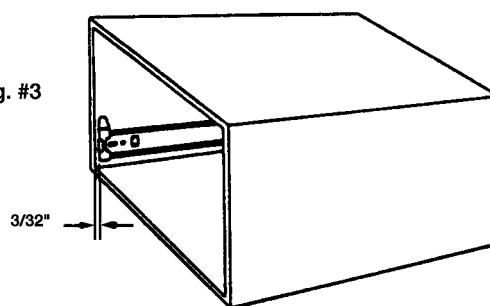
Top

Fig. #2

Bottom

Fasten case members ³/₃₂" from the front of the cabinet as shown (See Fig. #3). Screw holes for case members must be drilled a minimum of ¹³/₁₆" from bottom edge of the drawer opening. (See Fig. #1)

Fig. #3



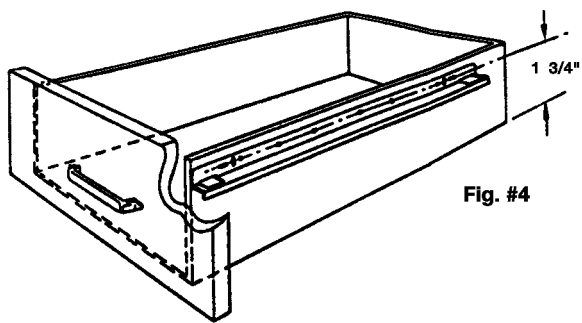


Fig. #4

Step 3.

Fasten drawer channels (non-handed) flush with the back of the drawer front as show in Fig. #4. Screw holes for drawer members must be drilled $1\frac{3}{4}$ " from bottom edge of the drawer box. (See Fig. #1)

Step 4.

Pull case members all the way out. Insert drawer by fitting drawer members under the case member hooks and snapping down over the front lock. (See Fig. #5)

Step 5.

To release the drawer, push the front lock in towards the drawer, lift and remove.

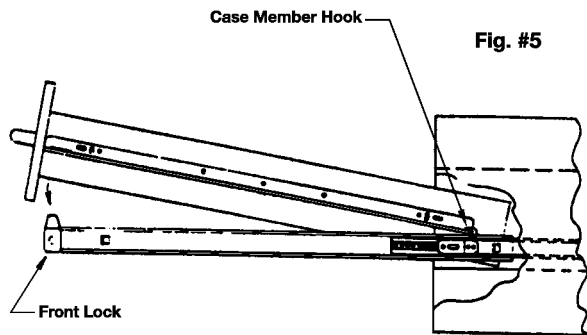


Fig. #5

Note:

Large 5mm diameter mounting holes are for use with Euro screws only. These holes are positioned for use with "system 32". All other screw holes are designed for #7 pan head or binding head screws. For further information on "system 32", please consult KV sales department.

Due to the angle required for installing the drawer into the cabinet, (See Fig. #5) a minimum difference of $\frac{3}{8}$ is required between drawer side height and drawer opening.