

# KV MUV HD Full Extension Soft-Close Undermount Drawer Slide

## SPECIFICATIONS

- Number:** Full Extension Soft-Close Undermount Drawer Slide
- Mounting:** Side, for Frame or Frameless Construction
- Height:** 1-7/8"
- Load Rating:** 120-Pound Class
- Finish:** Zinc
- Travel:** Full Extension
- Sizes:** 18", 20", 21", 22", 24", 27", 30"
- Packaged:** Bulk (B): 4 Sets per Carton. Includes Front Release Levers.
- Fasteners:** MUV-122: #7 x 5/8" Flat Head Screw – Slide  
MUV-123: #6 x 1/2" Truss Head Screw – Front Release Levers
- Install Jig:** MUV-121

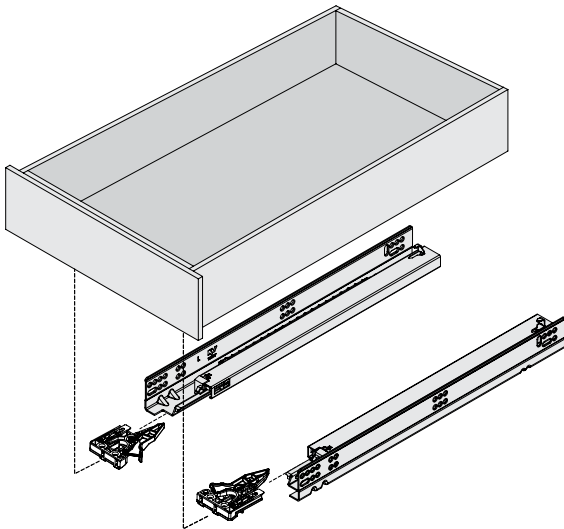
## Material Thickness

For use with the following material thicknesses:

- 5/8" [16mm]
- 9/16" [14mm]
- 1/2" [13mm]

***If material is less than 1/2" drawer length must be sized shorter by same amount.***

## DRAWER ASSEMBLY

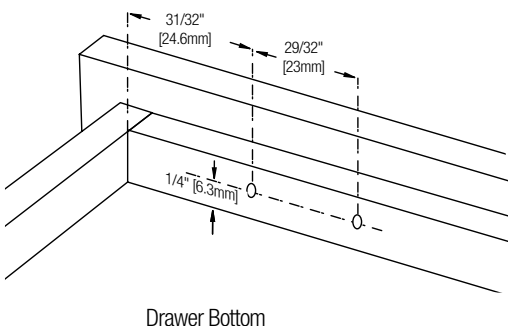


## Maximum Operating Conditions

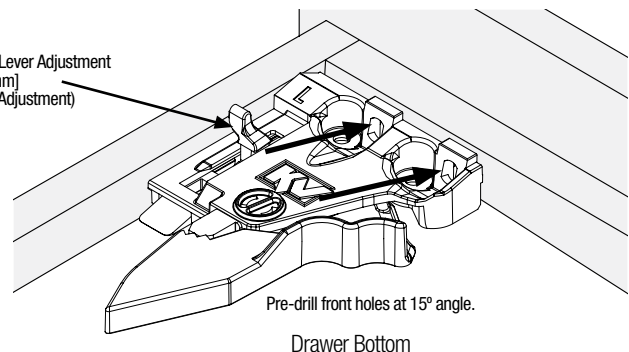
- Maximum Drawer Width: 42 in.
- Maximum Load Rating: 120 lb.
- Maximum Drawer Material Thickness: 5/8 in.

**Note: Frame Applications must be blocked out.**

## DRAWER HARDWARE INSTALLATION



Release Lever Adjustment  
1/8" [3mm]  
(Vertical Adjustment)



# MUV HD Full Extension Soft-Close Undermount Drawer Slide

## FACEFRAME [BLOCKED OUT] & FRAMELESS APPLICATIONS [WITH DECORATIVE FRONT]

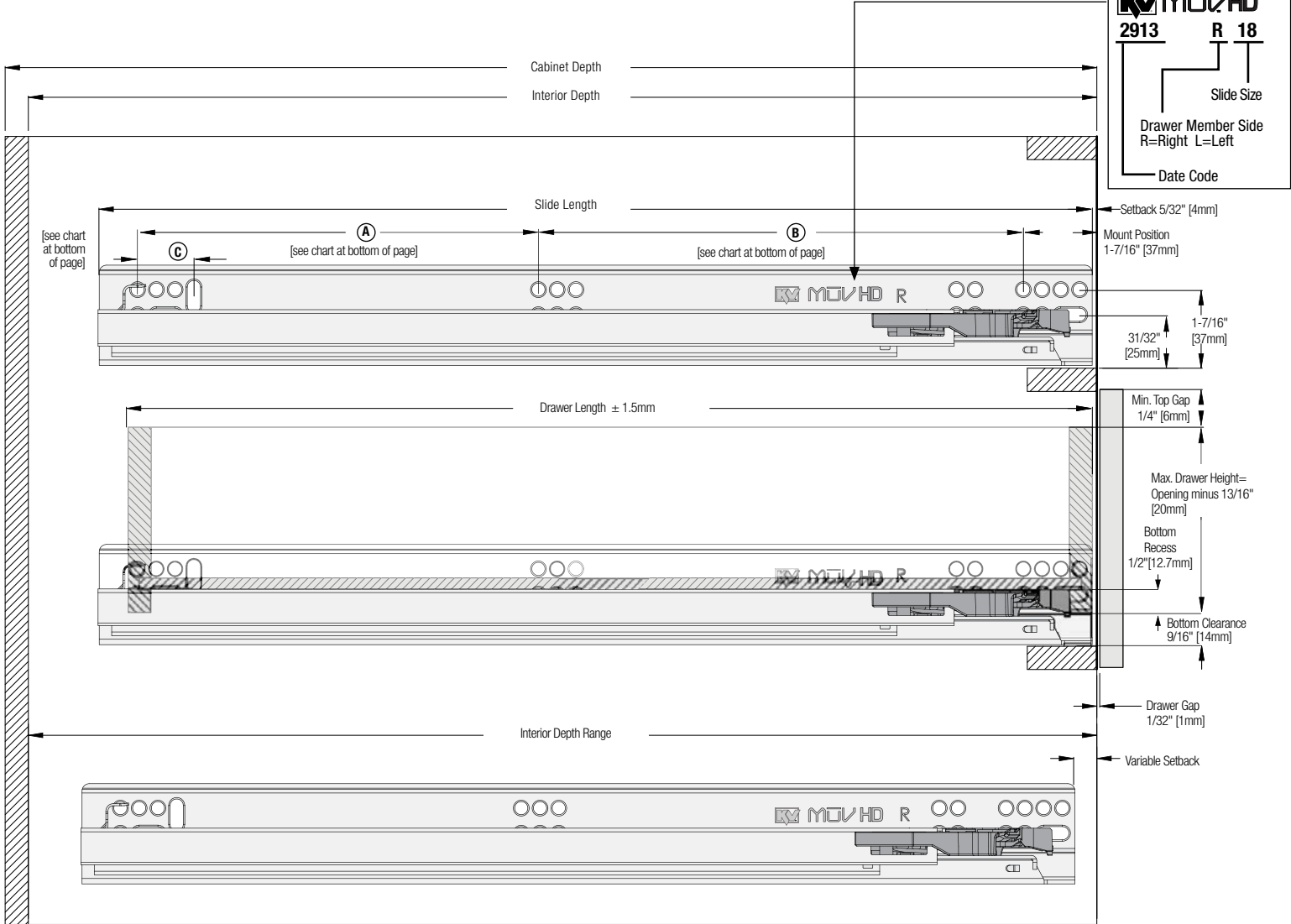
Stamping Codes:



2913 R 18

Slide Size  
Drawer Member Side  
R=Right L=Left

Date Code



### Frameless Inset Application

### Rear Slide Detail

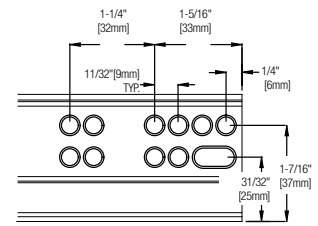
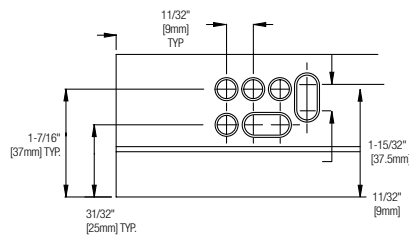
### Slide Front Detail

### Setback Inset Application

Setback = Drawer Front Thickness + 3/16" [5mm]

### Min. Interior Depth

Min. = Overall Length + Setback + 1/8" [3mm]



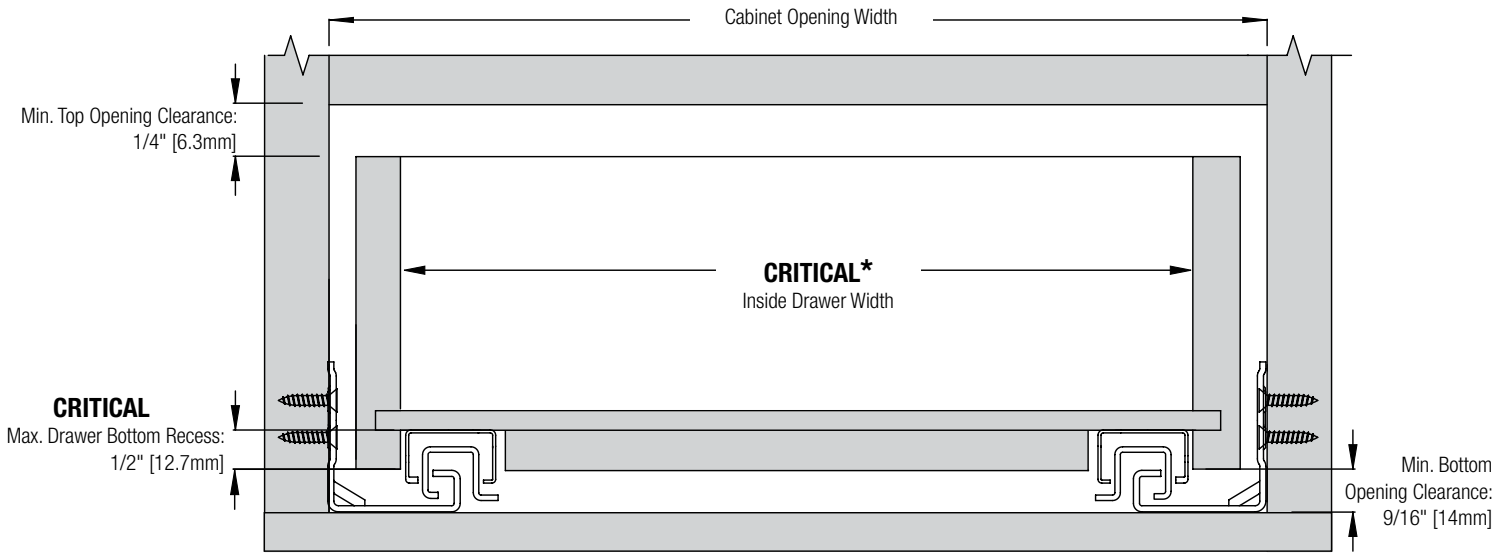
SLIDE	CABINET DEPTH	MIN INTERIOR DEPTH	OVERALL LENGTH	DRAWER LENGTH	A	B	C	MAX. MATERIAL THICKNESS	SETBACK
MUV HD 30	33" [838mm]	30-3/4" [781mm]	30-7/16" [773mm]	30" [762mm]**	5-1/32" [128mm]	8-13/16" [224mm]	1-1/16" [27mm]	5/8" [16mm]	5/32" [4mm]
MUV HD 27	30" [762mm]	27-3/4" [705mm]	27-7/16" [697mm]	27" [685mm]**	5-1/32" [128mm]	8-13/16" [224mm]	1-1/16" [27mm]	5/8" [16mm]	5/32" [4mm]
MUV HD 24	27" [686mm]	24-3/4" [629mm]	24-7/16" [621mm]	24" [609mm]**	5-1/32" [128mm]	8-13/16" [224mm]	1-1/16" [27mm]	5/8" [16mm]	5/32" [4mm]
MUV HD 22	24" [610mm]	22-3/4" [578mm]	22-7/16" [570mm]	22" [558mm]**	10-5/64" [256mm]	8-13/16" [224mm]	1-1/16" [27mm]	5/8" [16mm]	5/32" [4mm]
MUV HD 21	24" [610mm]	21-3/4" [553mm]	21-7/16" [545mm]	21" [533mm]**	10-5/64" [256mm]	8-13/16" [224mm]	1-1/16" [27mm]	5/8" [16mm]	5/32" [4mm]
MUV HD 20	21" [533mm]	20-3/4" [528mm]	20-7/16" [520mm]	20" [508mm]**	7-9/16" [192mm]	8-13/16" [224mm]	1-1/16" [27mm]	5/8" [16mm]	5/32" [4mm]
MUV HD 18	21" [533mm]	18-3/4" [477mm]	18-7/16" [469mm]	18" [457mm]**	7-9/16" [192mm]	8-13/16" [224mm]	1-1/16" [27mm]	5/8" [16mm]	5/32" [4mm]

**\*\*If material is less than 1/2" drawer length must be sized shorter by same amount.**

**Note: Frame Applications must be blocked out.**



**DRAWER DIMENSIONS FOR FRAMELESS APPLICATIONS**



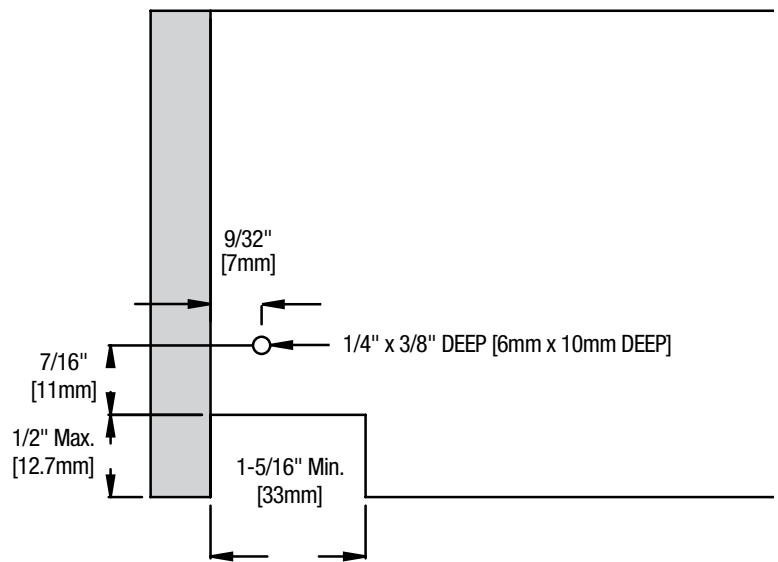
**\*Cabinet Opening Width Minus 1-21/32" [42mm] = Inside Drawer Width**

**MuV HD Maximum Drawer Side Material Thickness: 5/8" [16mm]  
Use MuV34 HD for Drawer Material from 5/8" [16mm] to 3/4" [19mm]**

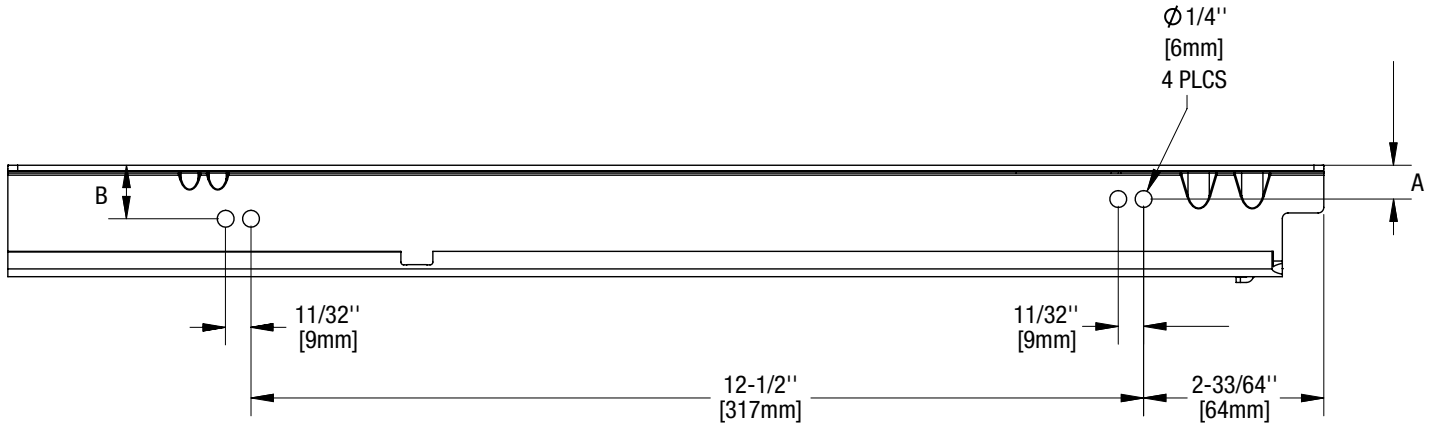
**Drawer Width Calculation**

Drawer Thickness	Deduct from Opening Width
5/8" [16mm]	3/8" [10mm]
9/16" [14mm]	9/16" [14mm]
1/2" [13mm]	5/8" [16mm]
<b>If material is less than 1/2", use formula.*</b>	

**Drawer Notch & Bore**



# MuV HD BOTTOM MOUNT HOLE



SLIDE	MIN INTERIER DEPTH	SLIDE LENGTH	DRAWER LENGTH	A	B
MUV HD 30	30-3/4" [781mm]	30-7/16" [773mm]	30" [762mm]	15/32" [12mm]	3/4" [19mm]
MUV HD 27	27-3/4" [705mm]	27-7/16" [697mm]	27" [685mm]	15/32" [12mm]	3/4" [19mm]
MUV HD 24	24-3/4" [629mm]	24-7/16" [621mm]	24" [609mm]	15/32" [12mm]	3/4" [19mm]
MUV HD 22	22-3/4" [578mm]	22-7/16" [570mm]	22" [558mm]	15/32" [12mm]	3/4" [19mm]
MUV HD 21	21-3/4" [553mm]	21-7/16" [545mm]	21" [533mm]	15/32" [12mm]	3/4" [19mm]
MUV HD 20	20-3/4" [528mm]	20-7/16" [520mm]	20" [508mm]	15/32" [12mm]	3/4" [19mm]
MUV HD 18	18-3/4" [477mm]	18-7/16" [469mm]	18" [457mm]	15/32" [12mm]	3/4" [19mm]

## KNAPE & VOGT LIMITED LIFETIME WARRANTY FOR COMMERCIAL PRODUCTS

This warranty is given to the initial purchaser of new commercial products purchased from Knappe & Vogt and its subsidiaries. The warranty covers defects in materials and workmanship. The warranty does not apply to defects resulting from misuse, damage or abuse, normal wear and tear, accident, modification, improper installation or maintenance, third party materials or damage during shipping. The warranty is not transferable and does not cover any subsequent purchasers of the products. During the Limited Lifetime Warranty period, Knappe & Vogt, will, at its option, repair or replace any defective product with a comparable product or component. This Limited Warranty is for repair or replacement of defective products only and does not cover any other costs such as removal, installation, or other related expenses. For warranty service, please contact Knappe & Vogt, 2700 Oak Industrial Drive, Grand Rapids, MI 49505, Attention: Customer Service. Information regarding the claimed defect and date of purchase of the product must be provided. Any defective product must be returned postage or freight prepaid to Knappe & Vogt. THIS LIMITED WARRANTY CONSTITUTES THE ONLY WARRANTY FOR THE PRODUCTS AND ALL OTHER WARRANTIES OR REPRESENTATIONS, EXPRESS OR IMPLIED, BY OPERATION OF LAW OR OTHERWISE, INCLUDING BUT NOT LIMITED TO ANY IMPLIED WARRANTY OF MERCHANTABILITY OR FITNESS FOR A PARTICULAR PURPOSE, ARE HEREBY EXPRESSLY DISCLAIMED. THIS LIMITED WARRANTY CONSTITUTES THE SOLE REMEDY AVAILABLE WITH REGARD TO ANY DEFECTIVE PRODUCTS. KNAPE & VOGT SHALL NOT BE LIABLE FOR ANY INCIDENTAL, INDIRECT, CONSEQUENTIAL OR SPECIAL DAMAGES, INCLUDING WITHOUT LIMITATION, LOSS OF TIME, INCONVENIENCE, OR LOST REVENUES OR PROFITS.

Copyright © 2006 Knappe & Vogt, all rights reserved. Standard KV Commercial Warranty (Rev No.2, 9/23/05)



**KNAPE & VOGT**

2700 Oak Industrial Drive NE Grand Rapids, MI 49505  
800.253.1561 • 616.459.3311 • fax 616.459.3290 www.kv.com