



# Full Extension Soft-Close Undermount Drawer Slide

## SPECIFICATIONS

- Number:** Full Extension Soft-Close Undermount Drawer Slide
- Mounting:** Side, for Frame or Frameless Construction
- Height:** 1-7/8"
- Load Rating:** 75-Pound Class
- Finish:** Zinc
- Travel:** Full Extension 14"-22", Partial 9"-12"
- Sizes:** 9", 10", 12", 14", 15", 16", 18", 20", 21", 22"
- Packaged:** Bulk (B): 6 Pairs per Carton. Lengths 14"-22".  
Bulk (B): 4 Pairs per Carton. Lengths 9"-12".
- Release Lever:** MUV1D-RL: Up/Down Height Adjustment. 60 pairs per carton  
MUV2D-RL: Up/Down Height, Side-to-Side Adjustment. 24 pairs per carton  
MUV3D-RL: Up/Down Height, Side-to-Side, In/Out Adjustment. 12 pairs per carton  
MUVRL INSET: Inset Adjuster (MUV2D-RL Add On). 12 pairs per carton
- Rear Brackets:** MUV-RBM: Metal Rear Bracket (for use on 14", 15", 16", 18", 20", 21", 22" Slides). 12 Brackets (Unhanded)  
MUV-RBP: Plastic Rear Brackets (for use with 9", 10", 12" Slides). 8 Brackets (4 Right Hand, 4 Left Hand)
- Fasteners:** MUV-122: #7 x 5/8" Flat Head Screw – Slide  
MUV-123: #6 x 1/2" Truss Head Screw – Front Release Levers and Rear Bracket
- Install Jig:** MUV-124

## Material Thickness

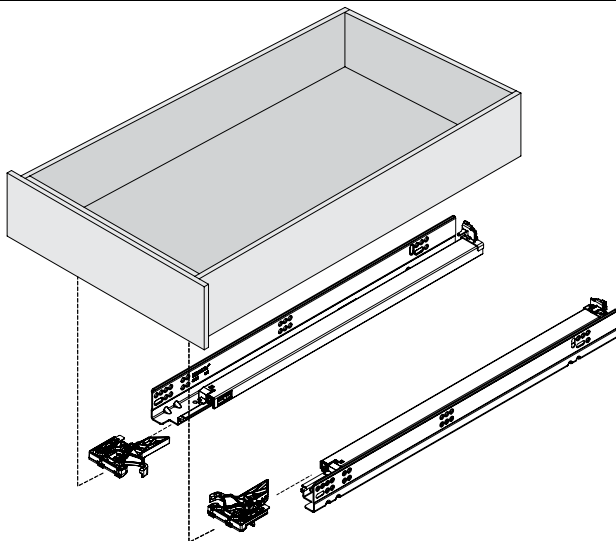
For use with the following material thicknesses:

5/8" [16mm]

9/16" [14mm]

1/2" [13mm]

## DRAWER ASSEMBLY



Optimal Operation Guidelines for Drawer Width Based on Drawer Height:

- |                                 |   |
|---------------------------------|---|
| Drawer Height up to 6":         | Max. Width = Slide Length + 10"                           |
| Drawer Height Greater than 6":  | Max. Width = Slide Length + 10" or 28", whichever is less |
| Drawer Height Greater than 8":  | Max. Width = Slide Length + 10" or 24", whichever is less |
| Drawer Height Greater than 10": | Max. Width = Slide Length + 10" or 21", whichever is less |

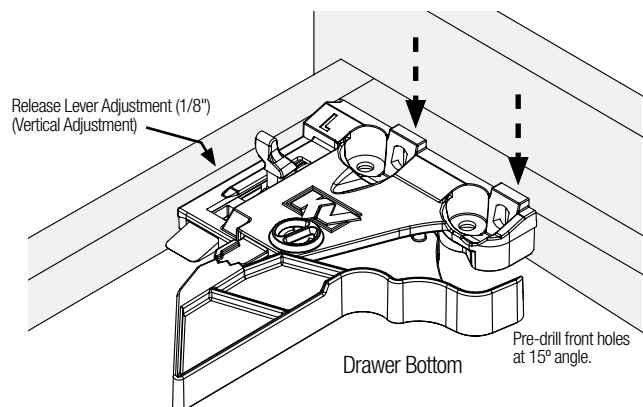
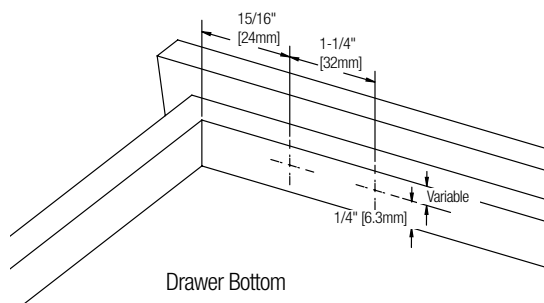
**Reference Page 6 for:**  
**Two critical drawer dimensions:**

- Max. Drawer Bottom Recess
- Inside Drawer Width

**Additional adjustments:**

- Rear side-to-side adjustment

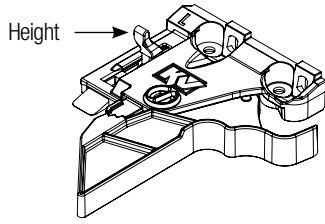
## DRAWER HARDWARE INSTALLATION



# RELEASE LEVERS

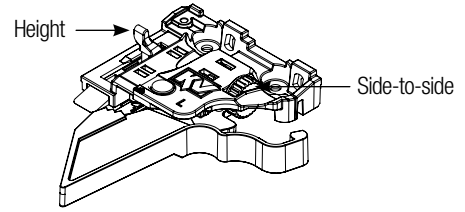
## HEIGHT ADJUSTMENT

MUV1D-RL



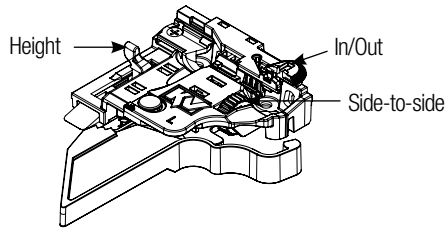
## HEIGHT & SIDE-TO-SIDE ADJUSTMENT

MUV2D-RL



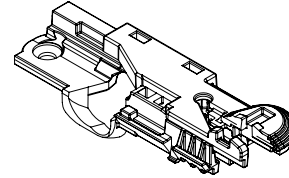
## HEIGHT & SIDE-TO-SIDE & IN/OUT ADJUSTMENT

MUV3D-RL



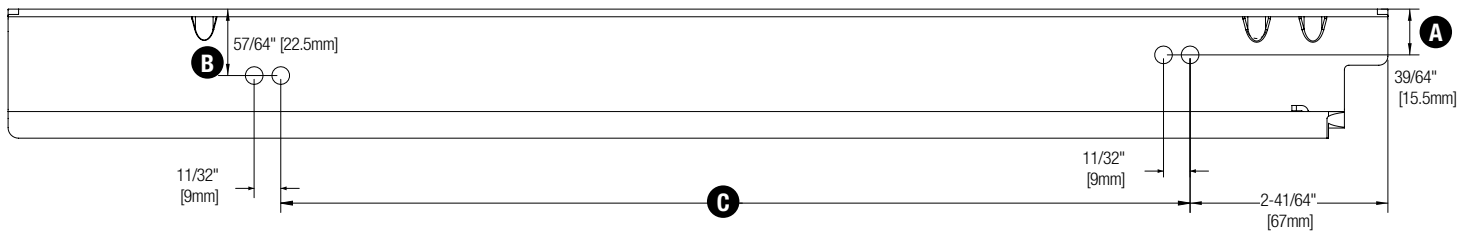
## IN/OUT ADJUSTMENT

MUVRL INSET (add onto MUV2D-RL)



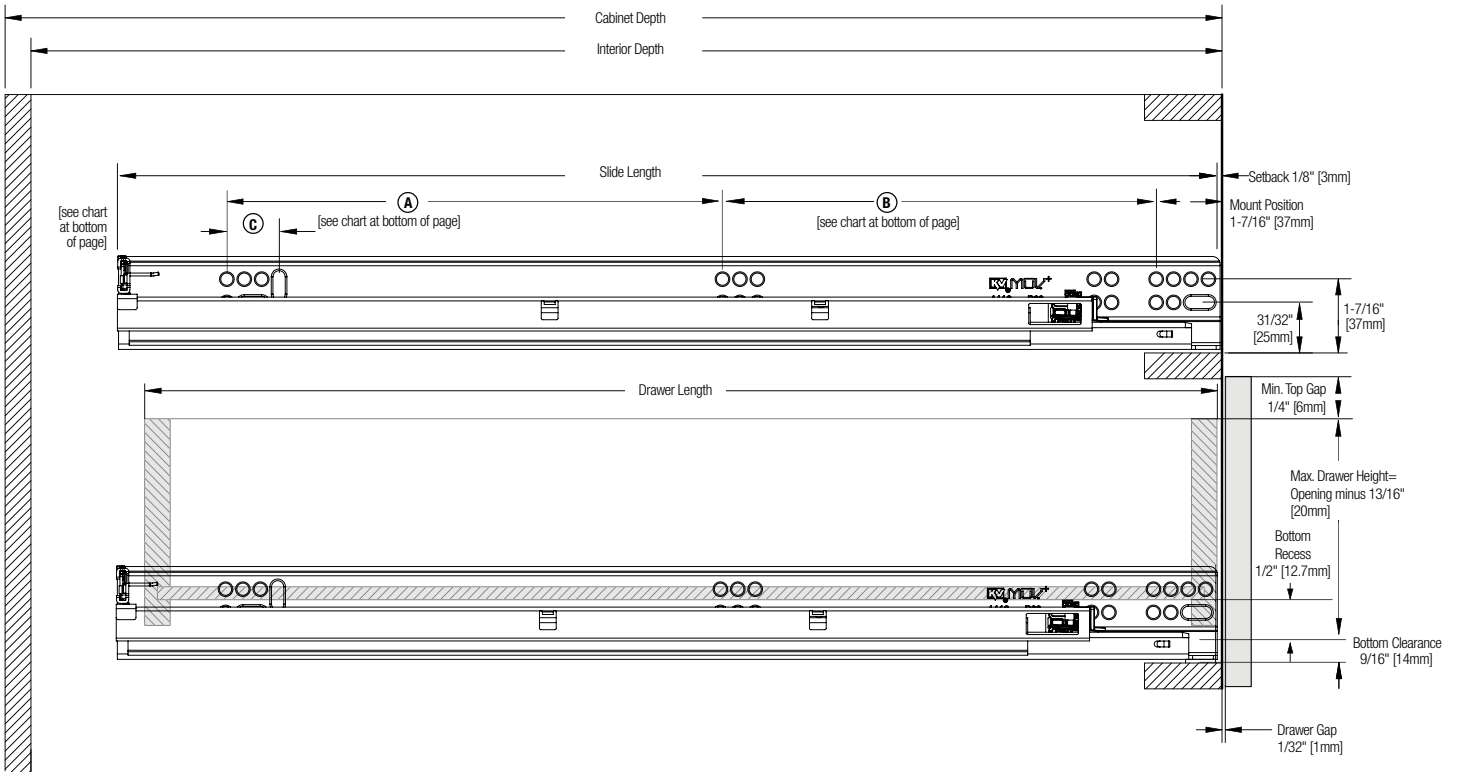
Part Number	Height	Side-to-Side	In/Out
<b>MUV1D-RL</b>	+ 1/8" [3mm]	–	–
<b>MUV2D-RL</b>	+ 1/8" [3mm]	± 1/16" [1.5mm]	–
<b>MUV3D-RL</b>	+ 1/8" [3mm]	± 1/16" [1.5mm]	+ 3/32" [2.5mm]

# BOTTOM HOLE PATTERN



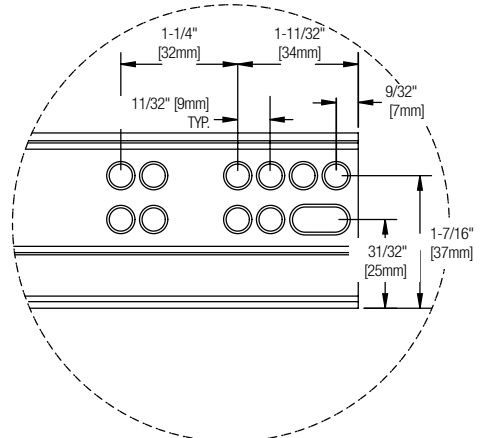
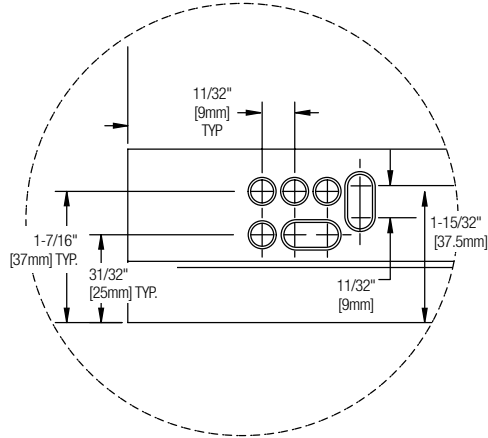
Slide	Cabinet Depth	Min. Interior Depth	Slide Length	Drawer Length	Travel Length	A	B	C
<b>MUVAB 22</b>	24" [610mm]	22-3/4" [578mm]	22.4" [569mm]	22" [559mm]	21.84" [554.7mm]	39/64" [15.5mm]	57/64" [22.5mm]	14-7/8" [378mm]
<b>MUVAB 21</b>	24" [610mm]	21-3/4" [553mm]	21.4" [544mm]	21" [533mm]	20.84" [529.3mm]	39/64" [15.5mm]	57/64" [22.5mm]	14-7/8" [378mm]
<b>MUVAB 20</b>	24" [610mm]	20-3/4" [527mm]	20.4" [518mm]	20" [508mm]	19.84" [503.9mm]	39/64" [15.5mm]	57/64" [22.5mm]	14-17/32" [369mm]
<b>MUVAB 18</b>	21" [533mm]	18-3/4" [479mm]	18.4" [467mm]	18" [457mm]	17.84" [453.1mm]	39/64" [15.5mm]	57/64" [22.5mm]	12-1/8" [308mm]
<b>MUVAB 16</b>	21" [533mm]	16-3/4" [425mm]	16.4" [417mm]	16" [406mm]	15.84" [402.3mm]	39/64" [15.5mm]	57/64" [22.5mm]	9-13/16" [249mm]
<b>MUVAB 15</b>	18" [457mm]	15-3/4" [403mm]	15.4" [391mm]	15" [381mm]	14.59" [370.6mm]	39/64" [15.5mm]	57/64" [22.5mm]	9-7/16" [240mm]

# FRAMELESS APPLICATIONS [WITH DECORATIVE FRONT]



**REAR SLIDE DETAIL**

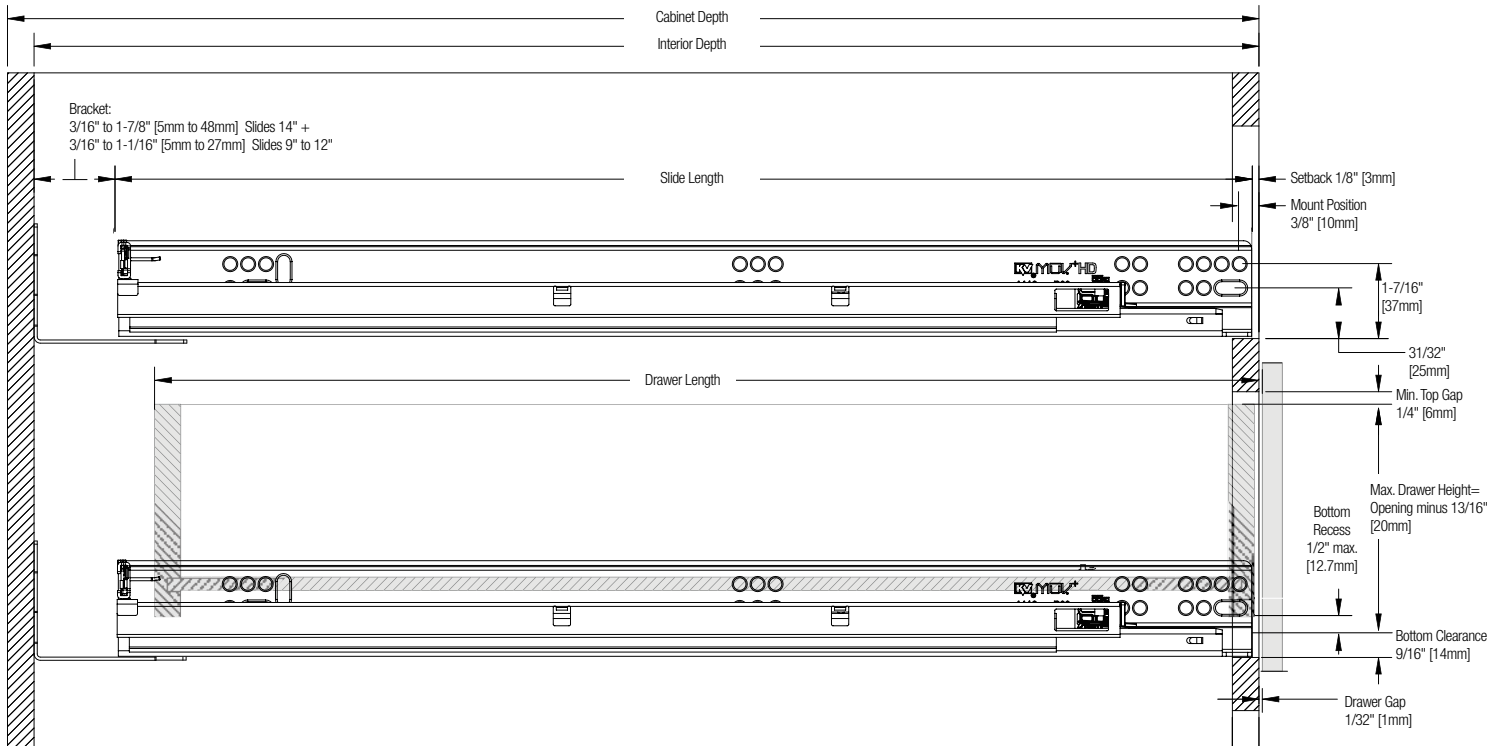
**SLIDE FRONT DETAIL**



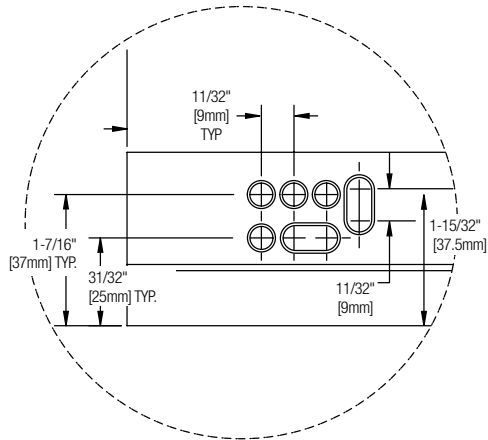
Slide	Cabinet Depth	Min. Interior Depth	Slide Length	Drawer Length	Travel Length	A	B	C	Max. Material Thickness	Setback
MUVAB 22	24" [610mm]	22-3/4" [578mm]	22.4" [569mm]	22" [559mm]**	21.84" [554.7mm]	10-5/64" [256mm]	8-13/16" [224mm]	1-1/16" [27mm]	5/8" [16mm]	1/8" [3mm]
MUVAB 21	24" [610mm]	21-3/4" [553mm]	21.4" [544mm]	21" [533mm]**	20.84" [529.3mm]	10-5/64" [256mm]	8-13/16" [224mm]	1-1/16" [27mm]	5/8" [16mm]	1/8" [3mm]
MUVAB 20	21" [533mm]	20-3/4" [527mm]	20.4" [518mm]	20" [508mm]**	19.84" [503.9mm]	8-13/16" [224mm]	8-13/16" [224mm]	1-1/16" [27mm]	5/8" [16mm]	1/8" [3mm]
MUVAB 18	21" [533mm]	18-3/4" [479mm]	18.4" [467mm]	18" [457mm]**	17.84" [453.1mm]	7-9/16" [192mm]	8-13/16" [224mm]	1-1/16" [27mm]	5/8" [16mm]	1/8" [3mm]
MUVAB 16	18" [457mm]	16-3/4" [425mm]	16.4" [417mm]	16" [406mm]**	15.84" [402.3mm]	5-1/32" [128mm]	8-13/16" [224mm]	1-1/16" [27mm]	5/8" [16mm]	1/8" [3mm]
MUVAB 15	18" [457mm]	15-3/4" [403mm]	15.4" [391mm]	15" [381mm]**	14.59" [370.6mm]	7-9/16" [192mm]	5-1/32" [128mm]	1-1/16" [27mm]	5/8" [16mm]	1/8" [3mm]
MUVAB 14	15" [381mm]	14-3/4" [375mm]	14.4" [366mm]	14" [356mm]**	13.59" [345.2mm]	7-9/16" [192mm]	5-1/32" [128mm]	1-1/16" [27mm]	5/8" [16mm]	1/8" [3mm]
MUVAB 12	15" [381mm]	12-3/4" [326mm]	12.4" [315mm]	12" [305mm]**	11.375" [288.93mm]	3-25/32" [96mm]	5-1/32" [128mm]	1-1/16" [27mm]	5/8" [16mm]	1/8" [3mm]
MUVAB 10	12" [305mm]	10-5/8" [273mm]	10.15" [258mm]	10" [254mm]**	8.269" [210.03mm]	3-25/32" [96mm]	3-25/32" [96mm]	1-1/16" [27mm]	5/8" [16mm]	1/8" [3mm]
MUVAB 9	12" [305mm]	10-5/8" [273mm]	10.15" [258mm]	9" [229mm]**	8.269" [210.03mm]	3-25/32" [96mm]	3-25/32" [96mm]	1-1/16" [27mm]	5/8" [16mm]	1/8" [3mm]

\*\*If material is less than 1/2" drawer length must be sized shorter by same amount.

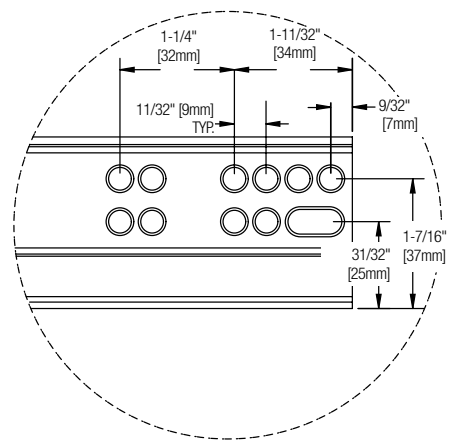
# FACE-FRAME APPLICATIONS [WITH DECORATIVE FRONT]



## REAR SLIDE DETAIL



## SLIDE FRONT DETAIL



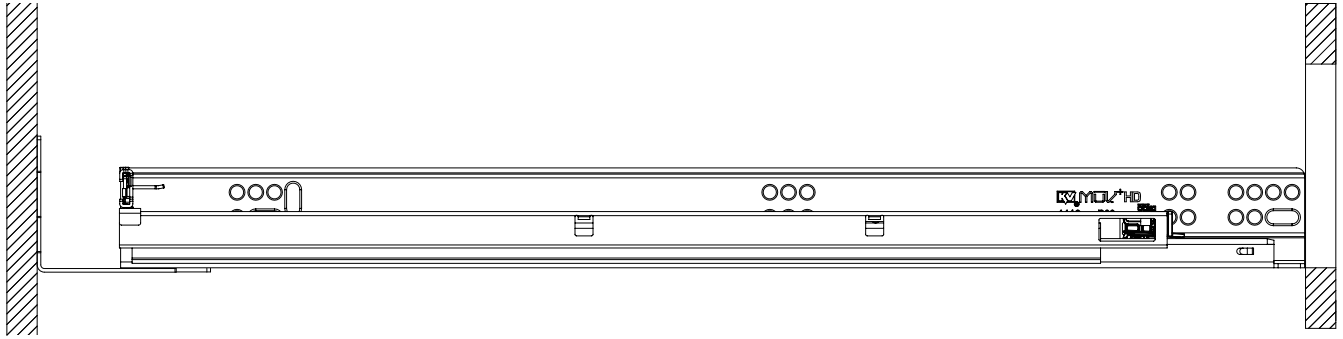
Slide	Cabinet Depth	Slide Length	Drawer Length	Travel Length	Max. Interior Depth	Min. Interior Depth	Max. Material Thickness	Setback
<b>MUVAB 22</b>	24" [610mm]*	22.4" [569mm]	22" [559mm]**	21.84" [554.7mm]	24-9/16" [624mm]	22-3/4" [581mm]	5/8" [16mm]	1/8" [3mm]
<b>MUVAB 21</b>	24" [610mm]	21.4" [544mm]	21" [533mm]**	20.84" [529.3mm]	23-9/16" [598mm]	21-3/4" [555mm]	5/8" [16mm]	1/8" [3mm]
<b>MUVAB 20</b>	24" [610mm]*	20.4" [518mm]	20" [508mm]**	19.84" [503.9mm]	22-9/16" [573mm]	20-3/4" [530mm]	5/8" [16mm]	1/8" [3mm]
<b>MUVAB 18</b>	21" [533mm]	18.4" [467mm]	18" [457mm]**	17.84" [453.1mm]	20-9/16" [522mm]	18-3/4" [479mm]	5/8" [16mm]	1/8" [3mm]
<b>MUVAB 16</b>	21" [533mm]*	16.4" [417mm]	16" [406mm]**	15.84" [402.3mm]	18-9/16" [472mm]	16-3/4" [429mm]	5/8" [16mm]	1/8" [3mm]
<b>MUVAB 15</b>	18" [457mm]	15.4" [391mm]	15" [381mm]**	14.59" [370.6mm]	17-9/16" [446mm]	15-3/4" [403mm]	5/8" [16mm]	1/8" [3mm]
<b>MUVAB 14</b>	18" [457mm]*	14.4" [366mm]	14" [356mm]**	13.59" [345.2mm]	16-9/16" [421mm]	14-3/4" [378mm]	5/8" [16mm]	1/8" [3mm]
<b>MUVAB 12</b>	15" [381mm]	12.4" [315mm]	12" [305mm]**	11.375" [288.93mm]	13-3/4" [349mm]	12-3/4" [324mm]	5/8" [16mm]	1/8" [3mm]
<b>MUVAB 10</b>	12" [305mm]	10.15" [258mm]	10" [254mm]**	8.269" [210.03mm]	11-3/4" [298mm]	10-5/8" [273mm]	5/8" [16mm]	1/8" [3mm]
<b>MUVAB 9</b>	12" [305mm]	10.15" [258mm]	9" [229mm]**	8.269" [210.03mm]	11-3/4" [298mm]	10-5/8" [273mm]	5/8" [16mm]	1/8" [3mm]

\*When using rear bracket at maximum extension.

\*\*If material is less than 1/2" drawer length must be sized shorter by same amount.

# INSET APPLICATION

## FACE-FRAME



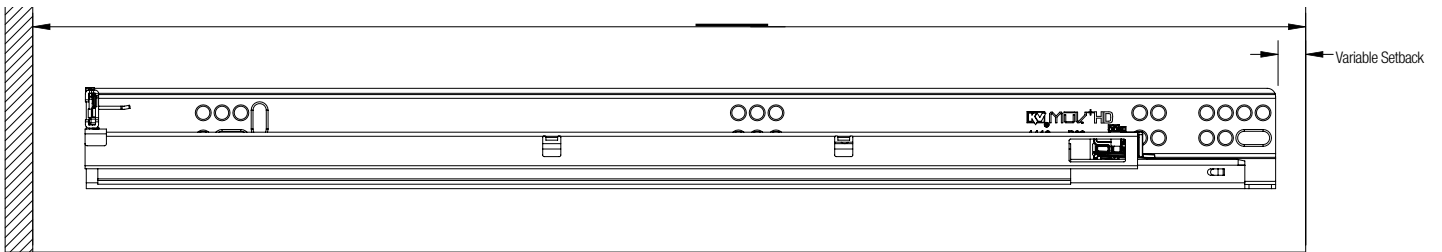
### DEPTH RANGE

Min. = Slide Length + Setback + 1/4" [6mm]

Max. = Slide Length + Setback + 1-15/16" [49.2mm] Slides 14" +

Max. = Slide Length + Setback + 1-1/16" [27mm] Slides 9", 10", 12" +

## FRAMELESS



### MIN. INTERIOR DEPTH

Min. = Slide Length + Setback + 1/4" [6mm]

## RUNNER SETBACK INSET APPLICATIONS

### 1D & 2D Release Lever

KV Part #: MUV1D-RL & MUV2D-RL

Charted setbacks set the face of the drawer front flush with face of cabinet

Drawer Sub-Front Thickness	Slide Setback		
<b>1/2" [13mm]</b>	11/16" [17.5mm]	13/16" [21mm]	15/16" [24mm]
<b>5/8" [16mm]</b>	13/16" [21mm]	15/16" [24mm]	1-1/16" [27mm]
<b>3/4" [19mm]</b>	15/16" [24mm]	1-1/16" [27mm]	1-3/16" [30mm]
	<b>5/8" [16mm]</b>	<b>3/4" [19mm]</b>	<b>7/8" [22mm]</b>
	<b>Drawer Front Thickness</b>		

Calculation: Drawer Sub-Front Thickness + Drawer Front Thickness - 7/16" (11mm)

### 3D Release Lever

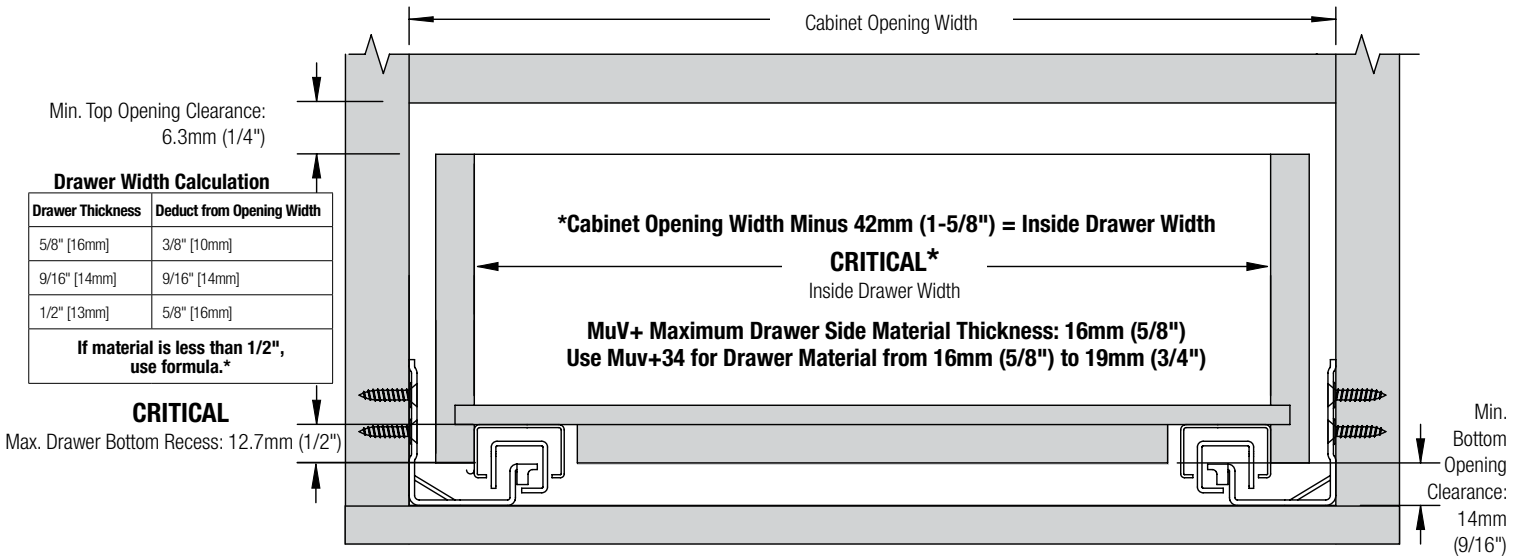
KV Part #: MUV3D-RL

Charted setbacks set the face of the drawer front flush with face of cabinet

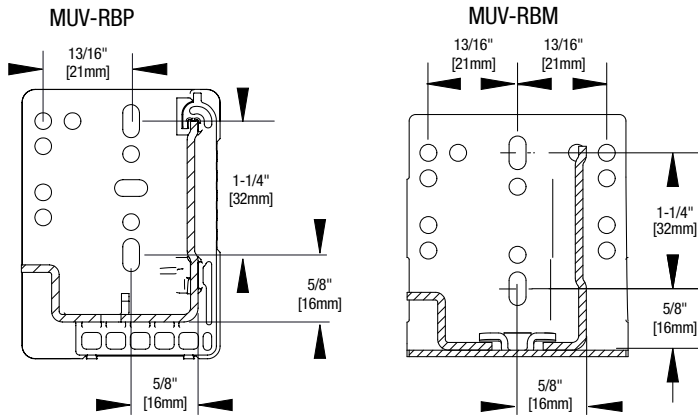
Drawer Sub-Front Thickness	Slide Setback		
<b>1/2" [13mm]</b>	23/32" [18.5mm]	27/32" [22mm]	31/32" [25mm]
<b>5/8" [16mm]</b>	27/32" [22mm]	31/32" [25mm]	1-3/32" [28mm]
<b>3/4" [19mm]</b>	31/32" [25mm]	1-3/32" [28mm]	1-7/32" [31mm]
	<b>5/8" [16mm]</b>	<b>3/4" [19mm]</b>	<b>7/8" [22mm]</b>
	<b>Drawer Front Thickness</b>		

Calculation: Drawer Sub-Front Thickness + Drawer Front Thickness - 13/32" (10mm)

# DRAWER DIMENSIONS FOR FACE-FRAME AND FRAMELESS APPLICATIONS

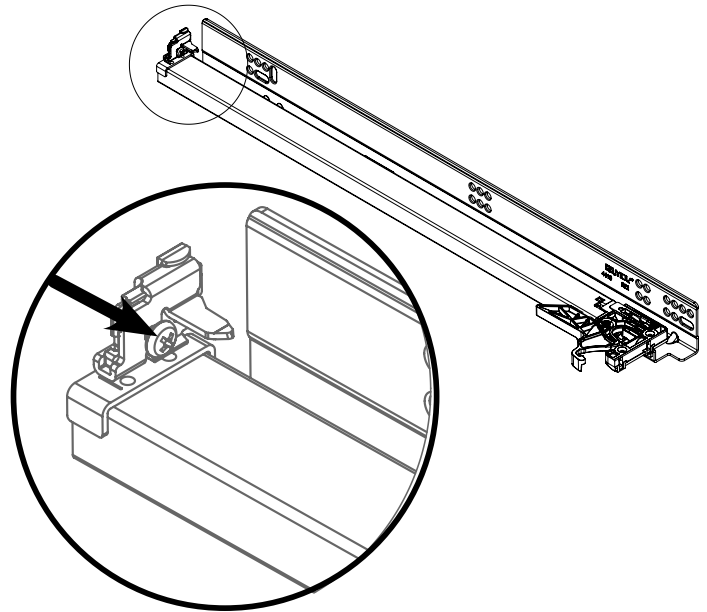


## REAR BRACKETS

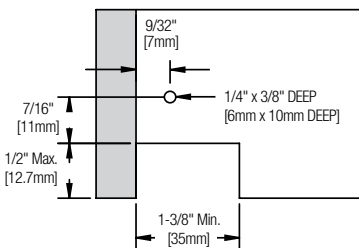


## REAR SIDE-TO-SIDE ADJUSTMENT

Used for fine tuning larger size drawers from the rear.



## DRAWER NOTCH & BORE



**KNAPE & VOGT**

2700 Oak Industrial Drive NE Grand Rapids, MI 49505  
800.253.1561 • 616.459.3311 • fax 616.459.3290 www.kv.com

## KNAPE & VOGT LIMITED LIFETIME WARRANTY FOR COMMERCIAL PRODUCTS

This warranty is given to the initial purchaser of new commercial products purchased from Knappe & Vogt and its subsidiaries. The warranty covers defects in materials and workmanship. The warranty does not apply to defects resulting from misuse, damage or abuse, normal wear and tear, accident, modification, improper installation or maintenance, third party materials or damage during shipping. The warranty is not transferable and does not cover any subsequent purchasers of the products. During the Limited Lifetime Warranty period, Knappe & Vogt, will, at its option, repair or replace any defective product with a comparable product or component. This Limited Warranty is for repair or replacement of defective products only and does not cover any other costs such as removal, installation, or other related expenses. For warranty service, please contact Knappe & Vogt, 2700 Oak Industrial Drive, Grand Rapids, MI 49505, Attention: Customer Service. Information regarding the claimed defect and date of purchase of the product must be provided. Any defective product must be returned postage or freight prepaid to Knappe & Vogt. THIS LIMITED WARRANTY CONSTITUTES THE ONLY WARRANTY FOR THE PRODUCTS AND ALL OTHER WARRANTIES OR REPRESENTATIONS, EXPRESS OR IMPLIED, BY OPERATION OF LAW OR OTHERWISE, INCLUDING BUT NOT LIMITED TO ANY IMPLIED WARRANTY OF MERCHANTABILITY OR FITNESS FOR A PARTICULAR PURPOSE, ARE HEREBY EXPRESSLY DISCLAIMED. THIS LIMITED WARRANTY CONSTITUTES THE SOLE REMEDY AVAILABLE WITH REGARD TO ANY DEFECTIVE PRODUCTS. KNAPE & VOGT SHALL NOT BE LIABLE FOR ANY INCIDENTAL, INDIRECT, CONSEQUENTIAL OR SPECIAL DAMAGES, INCLUDING WITHOUT LIMITATION, LOSS OF TIME, INCONVENIENCE, OR LOST REVENUES OR PROFITS.

Copyright © 2021 Knappe & Vogt, all rights reserved. Standard KV Commercial Warranty I  
Manufacturer reserves the right to change specifications without notice and without incurring responsibility for existing units. US Patent 8,430,567

310480\_REV-B\_0621