

## SPECIFICATIONS

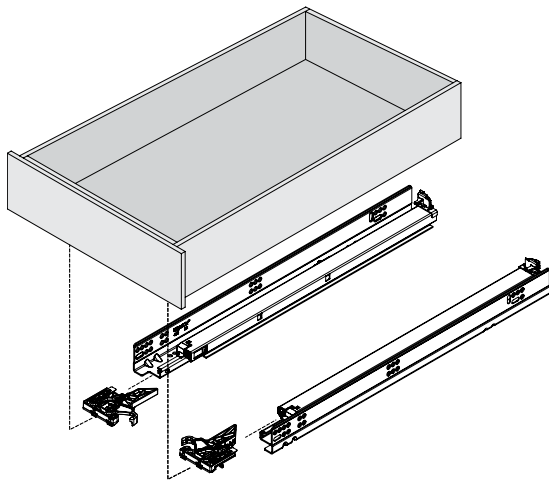
- Number:** Full Extension Soft-Close Undermount Drawer Slide
- Mounting:** Side, for Frame or Frameless Construction
- Height:** 1-7/8"
- Load Rating:** 120-Pound Class
- Finish:** Zinc
- Travel:** Full Extension
- Sizes:** 18", 20", 21", 22", 24", 27", 30"
- Packaged:** Bulk (B): 4 Pairs per Carton
- Release Lever:** MUV1D-RL: Up/Down Height Adjustment. 60 pairs per carton  
 MUV2D-RL: Up/Down Height, Side-to-Side Adjustment. 24 pairs per carton  
 MUV3D-RL: Up/Down Height, Side-to-Side, In/Out Adjustment. 12 pairs per carton  
 MUVRL INSET: Inset Adjuster (MUV2D-RL Add On). 12 pairs per carton
- Fasteners:** MUV-122: #7 x 5/8" Flat Head Screw – Slide  
 MUV-123: #6 x 1/2" Truss Head Screw – Front Release Levers and Rear Bracket
- Install Jig:** MUV-124

## Material Thickness

For use with the following material thicknesses:

- 5/8" [16mm]
- 9/16" [14mm]
- 1/2" [13mm]

## DRAWER ASSEMBLY



## Maximum Operating Conditions

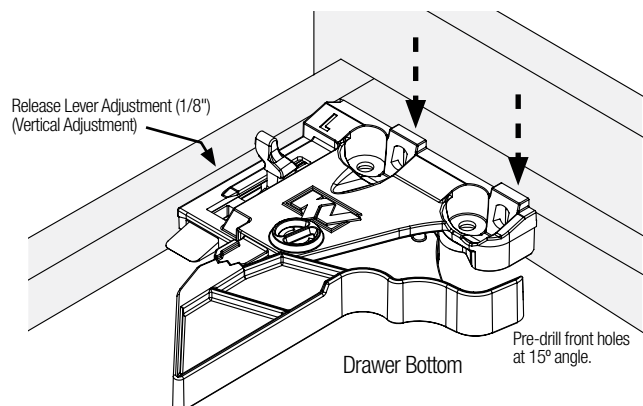
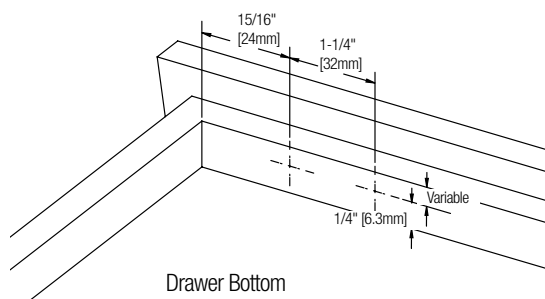
- Maximum Drawer Width: 42"
- Maximum Load Rating: 120 lb.
- Maximum Drawer Material Thickness: 5/8"

**Note: Frame Applications must be blocked out.**

Reference Page 6 for two critical drawer dimensions:

- Max. Drawer Bottom Recess
- Inside Drawer Width

## DRAWER HARDWARE INSTALLATION

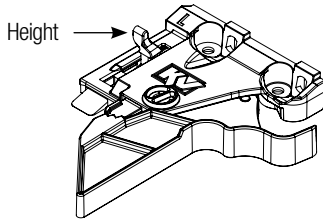




**RELEASE LEVERS**

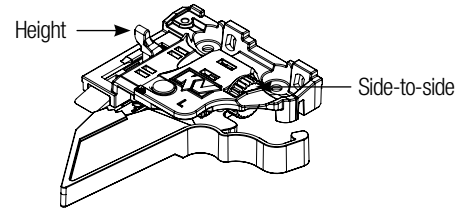
**HEIGHT ADJUSTMENT**

MUV1D-RL



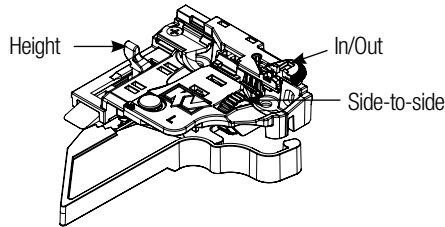
**HEIGHT & SIDE-TO-SIDE ADJUSTMENT**

MUV2D-RL



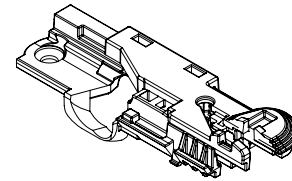
**HEIGHT & SIDE-TO-SIDE & IN/OUT ADJUSTMENT**

MUV3D-RL



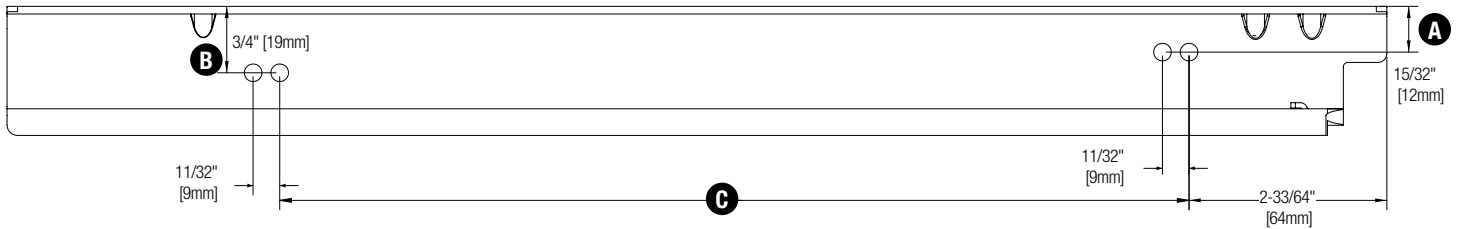
**IN/OUT ADJUSTMENT**

MUVRL INSET (add onto MUV2D-RL)



Part Number	Height	Side-to-Side	In/Out
MUV1D-RL	+ 1/8" [3mm]	-	-
MUV2D-RL	+ 1/8" [3mm]	± 1/16" [1.5mm]	-
MUV3D-RL	+ 1/8" [3mm]	± 1/16" [1.5mm]	+ 3/32" [2.5mm]

**BOTTOM HOLE PATTERN**



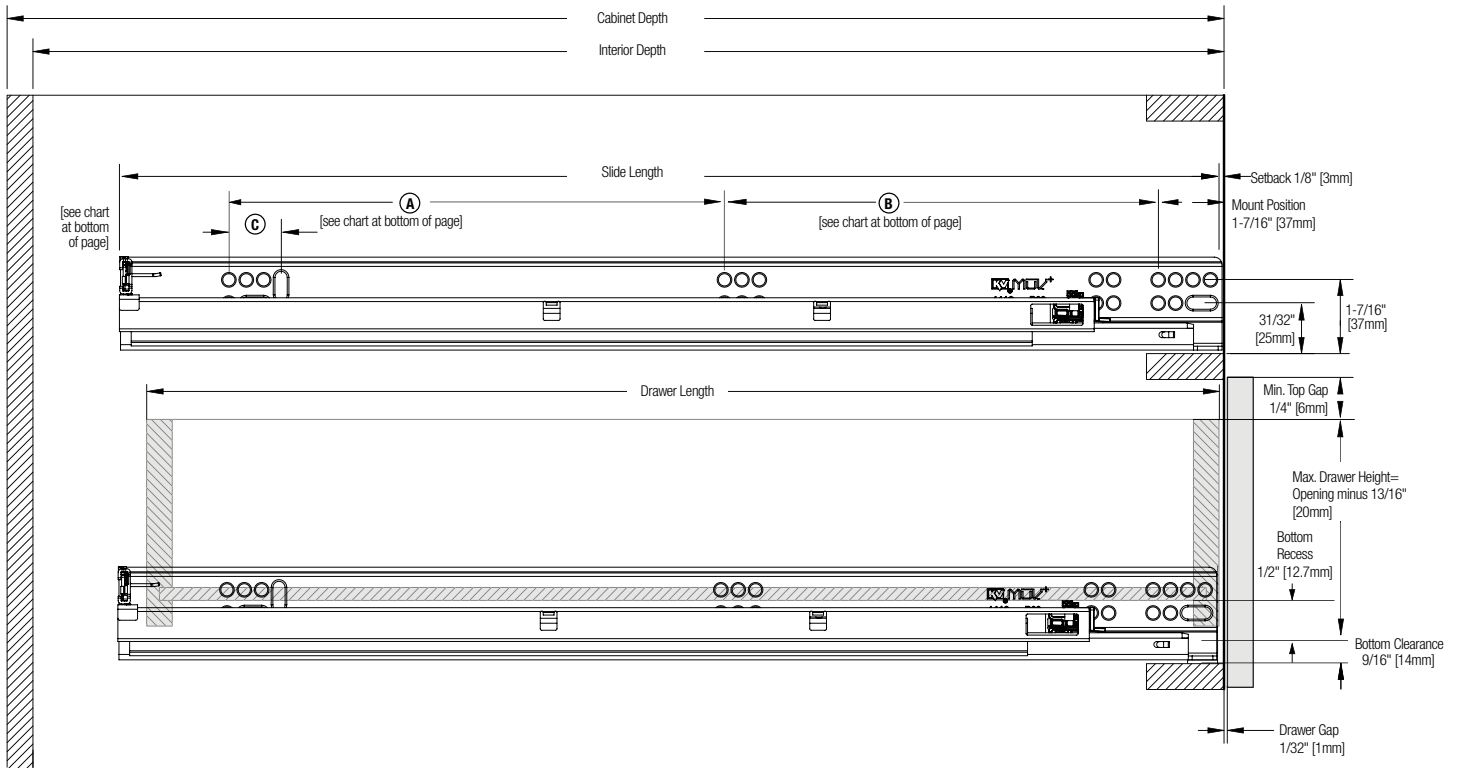
Slide	Cabinet Depth	Min. Interior Depth	Slide Length	Drawer Length	Travel Length	A	B	C
MUVHDAB 30	30-3/4" [781mm]	30" [762mm]	30-7/16" [773mm]	30" [762mm]	29.254" [743.05mm]	15/32" [12mm]	3/4" [19mm]	12-1/2" [317mm]
MUVHDAB 27	27-3/4" [705mm]	27" [610mm]	27-7/16" [697mm]	27" [610mm]	26.678" [667.46mm]	15/32" [12mm]	3/4" [19mm]	12-1/2" [317mm]
MUVHDAB 24	24-3/4" [629mm]	24" [610mm]	24-7/16" [621mm]	24" [610mm]	23.278" [591.26mm]	15/32" [12mm]	3/4" [19mm]	12-1/2" [317mm]
MUVHDAB 22	22-3/4" [578mm]	22" [533mm]	22-7/16" [570mm]	22" [533mm]	21.277" [540.44mm]	15/32" [12mm]	3/4" [19mm]	12-1/2" [317mm]
MUVHDAB 21	21-3/4" [553mm]	21" [533mm]	21-7/16" [545mm]	21" [533mm]	20.279" [515.10mm]	15/32" [12mm]	3/4" [19mm]	12-1/2" [317mm]
MUVHDAB 20	20-3/4" [527mm]	20" [457mm]	20-7/16" [520mm]	20" [457mm]	19.273" [489.53mm]	15/32" [12mm]	3/4" [19mm]	12-1/2" [317mm]
MUVHDAB 18	18-3/4" [479mm]	18" [457mm]	18-7/16" [469mm]	18" [457mm]	17.277" [438.53mm]	15/32" [12mm]	3/4" [19mm]	12-1/2" [317mm]



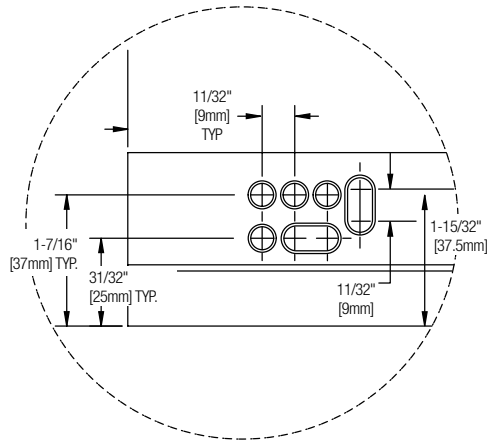
MUV<sup>+</sup>HD

# Full Extension Soft-Close Undermount Drawer Slide

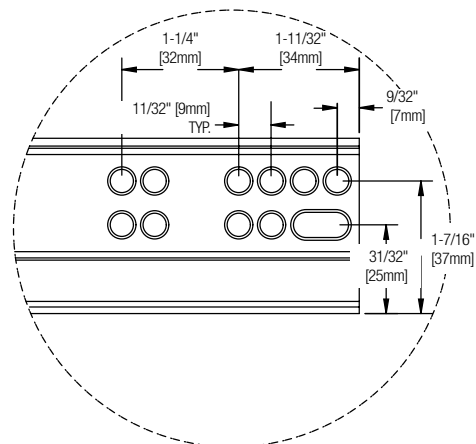
## FRAMELESS APPLICATIONS [WITH DECORATIVE FRONT]



### REAR SLIDE DETAIL



### SLIDE FRONT DETAIL



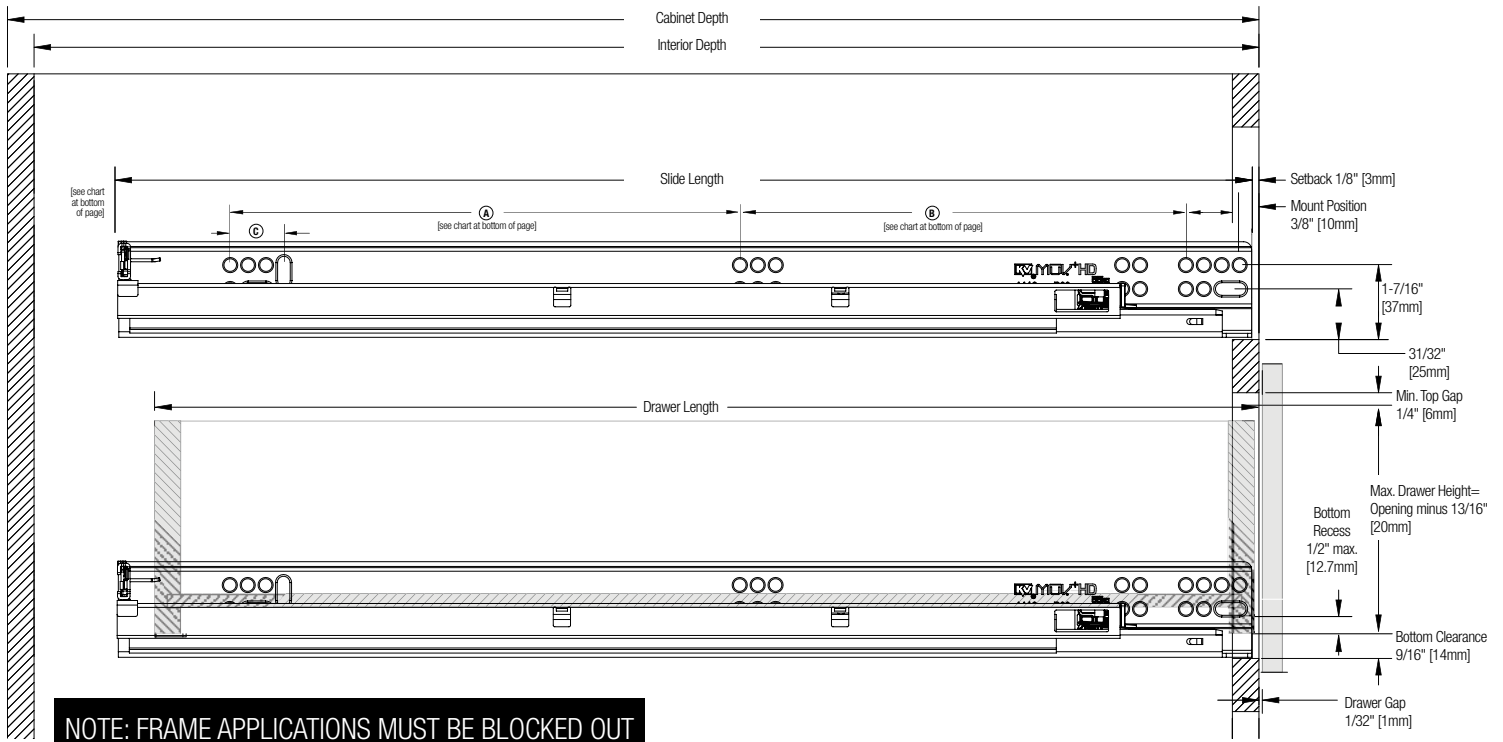
Slide	Cabinet Depth	Min. Interior Depth	Slide Length	Drawer Length	Travel Length	A	B	C	Max. Material Thickness	Setback
MUVHDAB 30	30-3/4" [781mm]	30" [762mm]	30-7/16" [773mm]	30" [762mm]	29.254" [743.05mm]	5-3/64" [128mm]	8-13/16" [224mm]	1-1/16" [27mm]	5/8" [16mm]	1/8" [3mm]
MUVHDAB 27	27-3/4" [705mm]	27" [610mm]	27-7/16" [697mm]	27" [610mm]	26.678" [667.46mm]	5-3/64" [128mm]	8-13/16" [224mm]	1-1/16" [27mm]	5/8" [16mm]	1/8" [3mm]
MUVHDAB 24	24-3/4" [629mm]	24" [610mm]	24-7/16" [621mm]	24" [610mm]	23.278" [591.26mm]	5-3/64" [128mm]	8-13/16" [224mm]	1-1/16" [27mm]	5/8" [16mm]	1/8" [3mm]
MUVHDAB 22	22-3/4" [578mm]	22" [533mm]	22-7/16" [570mm]	22" [533mm]	21.277" [540.44mm]	10-5/64" [256mm]	8-13/16" [224mm]	1-1/16" [27mm]	5/8" [16mm]	1/8" [3mm]
MUVHDAB 21	21-3/4" [553mm]	21" [533mm]	21-7/16" [545mm]	21" [533mm]	20.279" [515.10mm]	10-5/64" [256mm]	8-13/16" [224mm]	1-1/16" [27mm]	5/8" [16mm]	1/8" [3mm]
MUVHDAB 20	20-3/4" [527mm]	20" [457mm]	20-7/16" [520mm]	20" [457mm]	19.273" [489.53mm]	7-9/16" [192mm]	8-13/16" [224mm]	1-1/16" [27mm]	5/8" [16mm]	1/8" [3mm]
MUVHDAB 18	18-3/4" [479mm]	18" [457mm]	18-7/16" [469mm]	18" [457mm]	17.277" [438.53mm]	7-9/16" [192mm]	8-13/16" [224mm]	1-1/16" [27mm]	5/8" [16mm]	1/8" [3mm]



MUV<sup>+</sup>HD

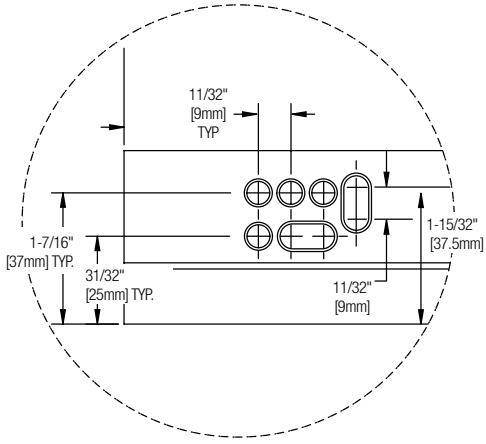
# Full Extension Soft-Close Undermount Drawer Slide

## FACE-FRAME APPLICATIONS [WITH DECORATIVE FRONT]

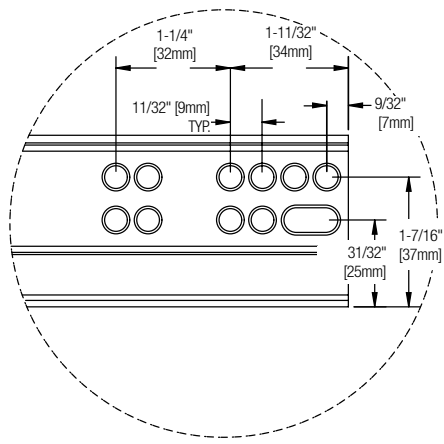


NOTE: FRAME APPLICATIONS MUST BE BLOCKED OUT

### REAR SLIDE DETAIL



### SLIDE FRONT DETAIL

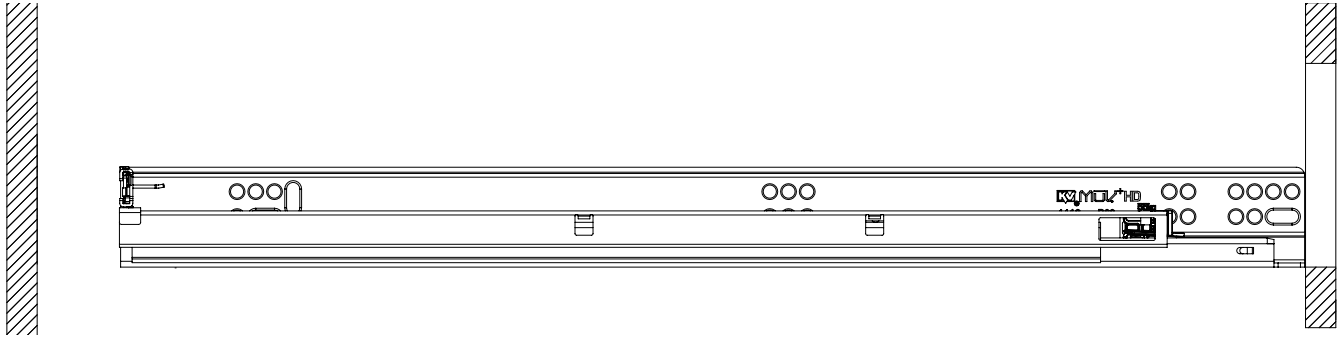


Slide	Cabinet Depth	Min. Interior Depth	Slide Length	Drawer Length	Travel Length	A	B	C	Max. Material Thickness	Setback
MUVHDAB 30	30-3/4" [781mm]	30" [762mm]	30-7/16" [773mm]	30" [762mm]	29.254" [743.05mm]	5-3/64" [128mm]	8-13/16" [224mm]	1-1/16" [27mm]	5/8" [16mm]	1/8" [3mm]
MUVHDAB 27	27-3/4" [705mm]	27" [610mm]	27-7/16" [697mm]	27" [610mm]	26.678" [667.46mm]	5-3/64" [128mm]	8-13/16" [224mm]	1-1/16" [27mm]	5/8" [16mm]	1/8" [3mm]
MUVHDAB 24	24-3/4" [629mm]	24" [610mm]	24-7/16" [621mm]	24" [610mm]	23.278" [591.26mm]	5-3/64" [128mm]	8-13/16" [224mm]	1-1/16" [27mm]	5/8" [16mm]	1/8" [3mm]
MUVHDAB 22	22-3/4" [578mm]	22" [533mm]	22-7/16" [570mm]	22" [533mm]	21.277" [540.44mm]	10-5/64" [256mm]	8-13/16" [224mm]	1-1/16" [27mm]	5/8" [16mm]	1/8" [3mm]
MUVHDAB 21	21-3/4" [553mm]	21" [533mm]	21-7/16" [545mm]	21" [533mm]	20.279" [515.10mm]	10-5/64" [256mm]	8-13/16" [224mm]	1-1/16" [27mm]	5/8" [16mm]	1/8" [3mm]
MUVHDAB 20	20-3/4" [527mm]	20" [457mm]	20-7/16" [520mm]	20" [457mm]	19.273" [489.53mm]	7-9/16" [192mm]	8-13/16" [224mm]	1-1/16" [27mm]	5/8" [16mm]	1/8" [3mm]
MUVHDAB 18	18-3/4" [479mm]	18" [457mm]	18-7/16" [469mm]	18" [457mm]	17.277" [438.53mm]	7-9/16" [192mm]	8-13/16" [224mm]	1-1/16" [27mm]	5/8" [16mm]	1/8" [3mm]



## INSET APPLICATION

### FACE-FRAME

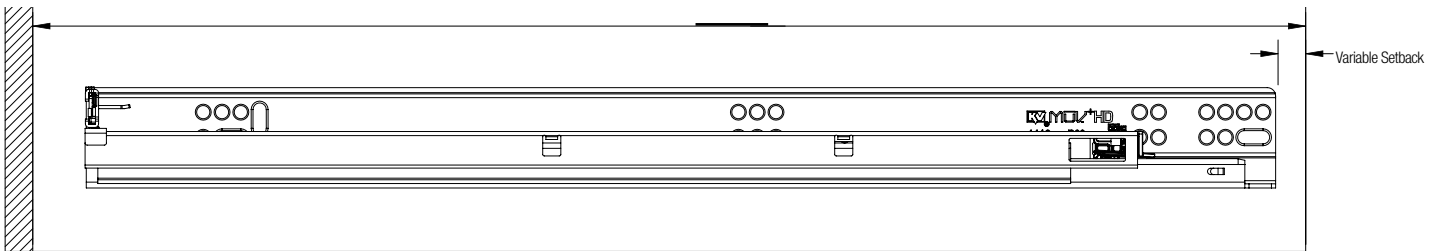


Min. Interior Depth

Min. = Slide Length + Setback + 1/4" [6mm]

**NOTE: FRAME APPLICATIONS MUST BE BLOCKED OUT**

### FRAMELESS



Min. Interior Depth

Min. = Slide Length + Setback + 1/4" [6mm]

## RUNNER SETBACK INSET APPLICATIONS

### 1D & 2D Release Lever

KV Part #: MUV1D-RL & MUV2D-RL

Charted setbacks set the face of the drawer front flush with face of cabinet

Drawer Sub-Front Thickness	Slide Setback		
<b>1/2" [13mm]</b>	11/16" [17.5mm]	13/16" [21mm]	15/16" [24mm]
<b>5/8" [16mm]</b>	13/16" [21mm]	15/16" [24mm]	1-1/16" [27mm]
<b>3/4" [19mm]</b>	15/16" [24mm]	1-1/16" [27mm]	1-3/16" [30mm]
	<b>5/8" [16mm]</b>	<b>3/4" [19mm]</b>	<b>7/8" [22mm]</b>
	<b>Drawer Front Thickness</b>		

Calculation: Drawer Sub-Front Thickness + Drawer Front Thickness - 7/16" [11mm]

### 3D Release Lever

KV Part #: MUV3D-RL

Charted setbacks set the face of the drawer front flush with face of cabinet

Drawer Sub-Front Thickness	Slide Setback		
<b>1/2" [13mm]</b>	23/32" [18.5mm]	27/32" [22mm]	31/32" [25mm]
<b>5/8" [16mm]</b>	27/32" [22mm]	31/32" [25mm]	1-3/32" [28mm]
<b>3/4" [19mm]</b>	31/32" [25mm]	1-3/32" [28mm]	1-7/32" [31mm]
	<b>5/8" [16mm]</b>	<b>3/4" [19mm]</b>	<b>7/8" [22mm]</b>
	<b>Drawer Front Thickness</b>		

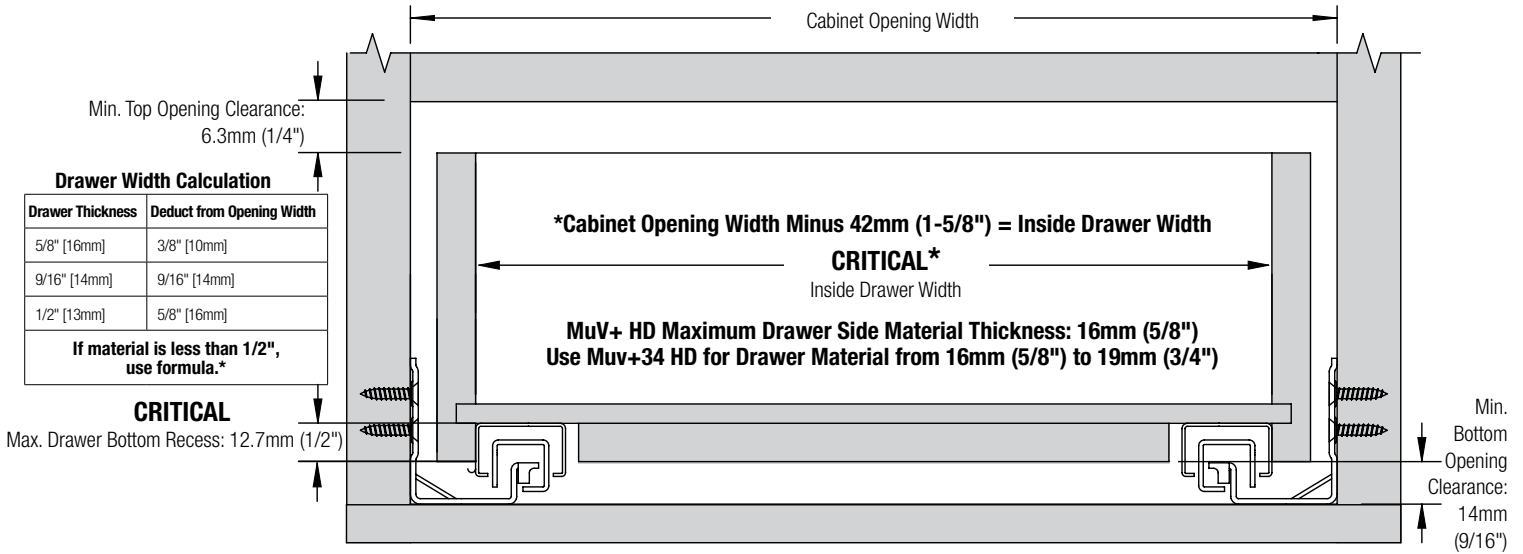
Calculation: Drawer Sub-Front Thickness + Drawer Front Thickness - 13/32" [10mm]



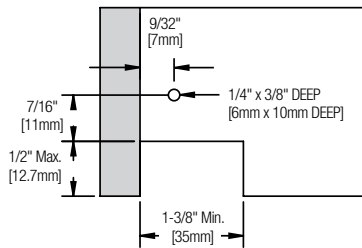
MUV+HD

# Full Extension Soft-Close Undermount Drawer Slide

## DRAWER DIMENSIONS FOR FACE-FRAME AND FRAMELESS APPLICATIONS

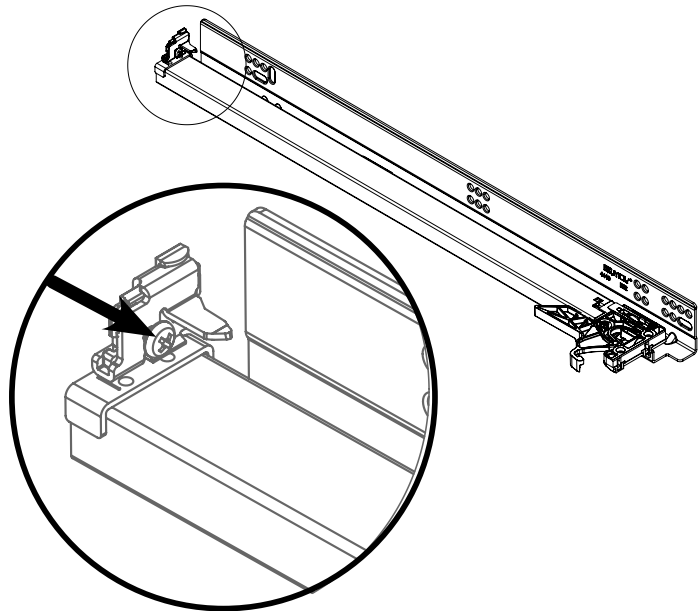


### DRAWER NOTCH & BORE



### REAR SIDE-TO-SIDE ADJUSTMENT

Used for fine tuning larger size drawers from the rear.



### KNAPE & VOGT LIMITED LIFETIME WARRANTY FOR COMMERCIAL PRODUCTS

This warranty is given to the initial purchaser of new commercial products purchased from Knappe & Vogt and its subsidiaries. The warranty covers defects in materials and workmanship. The warranty does not apply to defects resulting from misuse, damage or abuse, normal wear and tear, accident, modification, improper installation or maintenance, third party materials or damage during shipping. The warranty is not transferable and does not cover any subsequent purchasers of the products. During the Limited Lifetime Warranty period, Knappe & Vogt, will, at its option, repair or replace any defective product with a comparable product or component. This Limited Warranty is for repair or replacement of defective products only and does not cover any other costs such as removal, installation, or other related expenses. For warranty service, please contact Knappe & Vogt, 2700 Oak Industrial Drive, Grand Rapids, MI 49505, Attention: Customer Service. Information regarding the claimed defect and date of purchase of the product must be provided. Any defective product must be returned postage or freight prepaid to Knappe & Vogt. THIS LIMITED WARRANTY CONSTITUTES THE ONLY WARRANTY FOR THE PRODUCTS AND ALL OTHER WARRANTIES OR REPRESENTATIONS, EXPRESS OR IMPLIED, BY OPERATION OF LAW OR OTHERWISE, INCLUDING BUT NOT LIMITED TO ANY IMPLIED WARRANTY OF MERCHANTABILITY OR FITNESS FOR A PARTICULAR PURPOSE, ARE HEREBY EXPRESSLY DISCLAIMED. THIS LIMITED WARRANTY CONSTITUTES THE SOLE REMEDY AVAILABLE WITH REGARD TO ANY DEFECTIVE PRODUCTS. KNAPE & VOGT SHALL NOT BE LIABLE FOR ANY INCIDENTAL, INDIRECT, CONSEQUENTIAL OR SPECIAL DAMAGES, INCLUDING WITHOUT LIMITATION, LOSS OF TIME, INCONVENIENCE, OR LOST REVENUES OR PROFITS.



KNAPPE & VOGT®

2700 Oak Industrial Drive NE Grand Rapids, MI 49505  
800.253.1561 • 616.459.3311 • fax 616.459.3290 www.kv.com

Copyright © 2021 Knappe & Vogt, all rights reserved. Standard KV Commercial Warranty | Manufacturer reserves the right to change specifications without notice and without incurring responsibility for existing units. US Patent 8,430,567

310482\_REV-B\_0621