

IMPORTANT

Knape & Vogt insists on the highest standards of quality in the manufacturing of your products. Each piece has been carefully inspected before shipment. In case of a problem, **DO NOT RETURN THE ITEM TO THE STORE.**

Call Knape & Vogt at:

1-800-253-1561

to help with any problem or question you may have.

Thank you.

HyLoft®

Unique Storage

HyLoft's heavy duty shelving systems have patented low-profile brackets so that you can store more items without a large infringing bracket. Each shelf can support up to 150 lbs. All of our products feature a scratch resistant white powder coat finish. Shelves are 15" x 45". There are two shelves per box.



HyLoft's Add-On Storage Hooks add even more versatility to the already popular ceiling storage unit. These hooks hang from any HyLoft Ceiling or Wall mounted unit. They can be used to hang bikes, bags, sports equipment, lawn and garden items, extension cords, and so much more. Each hook is 4" x 6.5", and there are 4 hooks in each package.

HyLoft's Add-On Storage Racks provide endless ways to maximize space and neatly store miscellaneous items. Hang a ladder, lawn tools, lumber, surfboard or any other long items. These hanging racks will attach securely to any HyLoft ceiling or wall storage unit. Each rack is 10" x 32", there are two racks per package.



Accessories

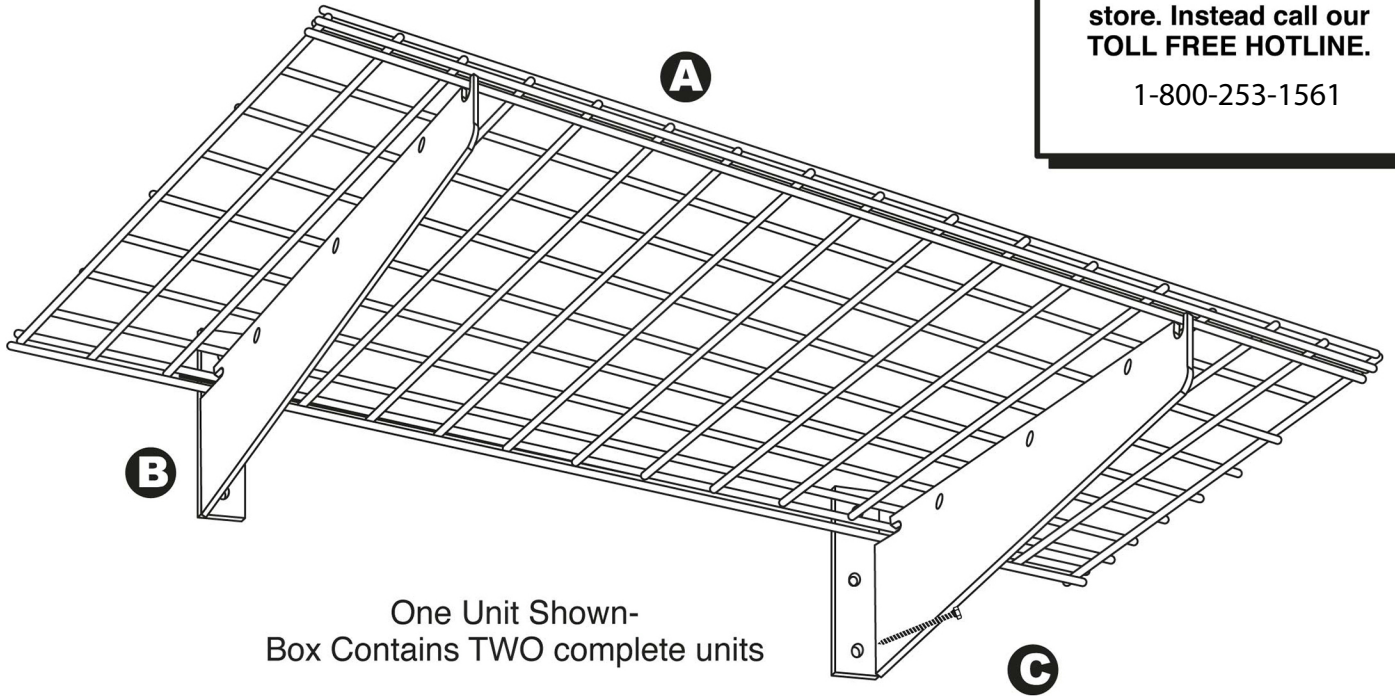
INSTALLATION INSTRUCTIONS

HyLoft 24" x 48" Heavy Duty Shelf

MISSING A PART?

There is no need to return this item to the store. Instead call our TOLL FREE HOTLINE.

1-800-253-1561



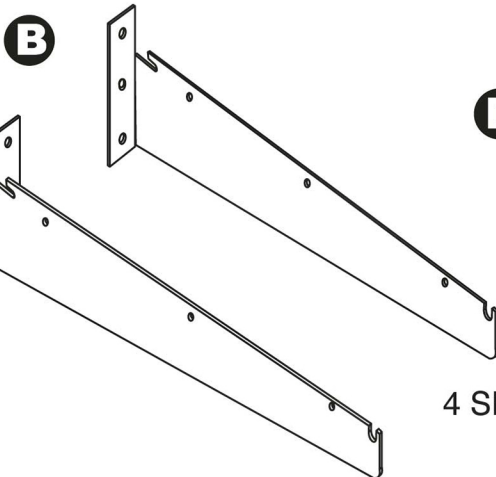
Tools Required:

- 7/16" Wrench(11 mm)
- Stud Finder
- Drill and 3/16"(5 mm) drill bit
- 7/16"(11 mm) Socket Wrench or Nut Driver
- Tape Measure
- Pencil

Parts Included:

A 2 wire grids

C  12 Lag Screws
5/16" X 2 1/2" (8mm x 63mm)



D 
10 Plastic Tie Straps



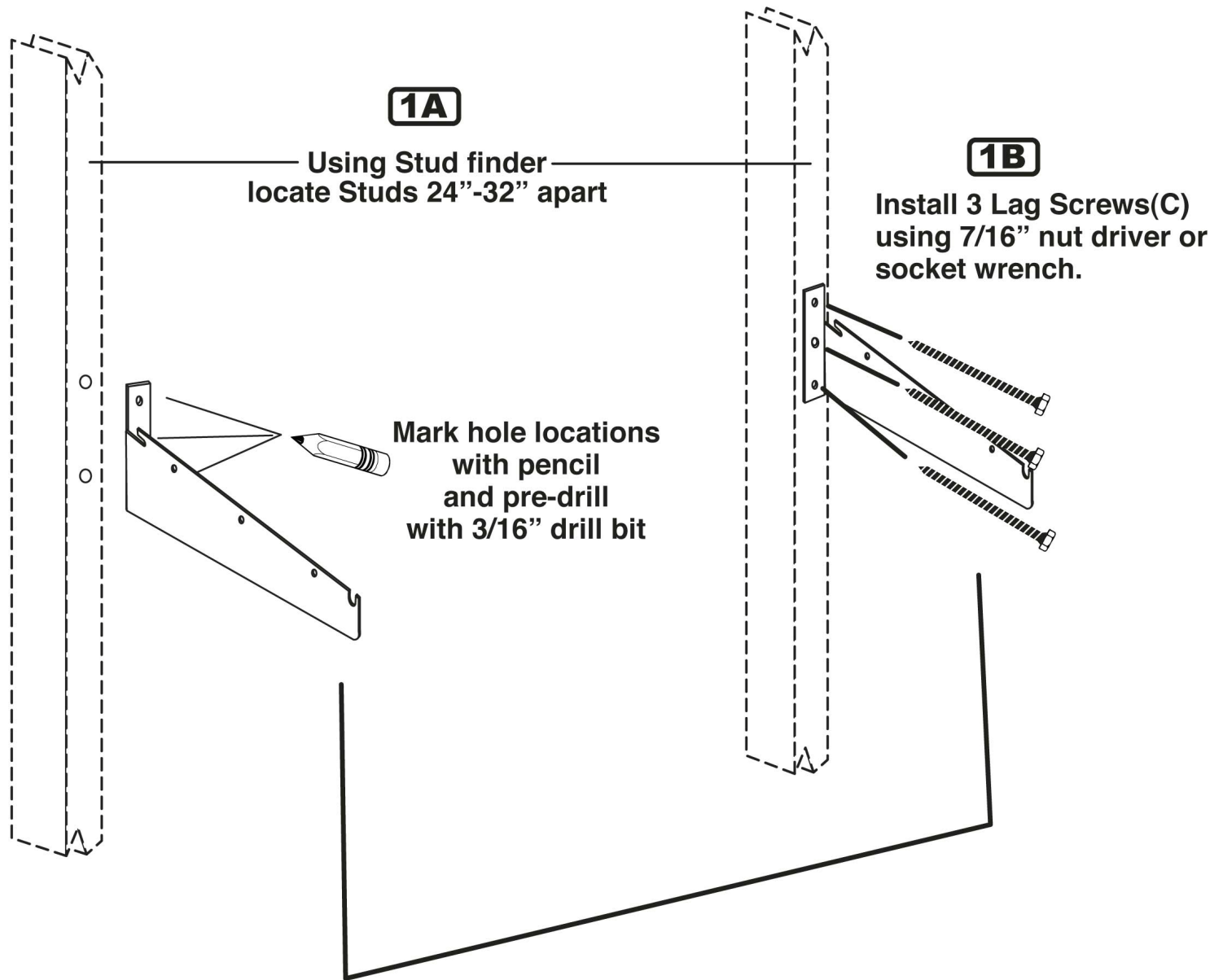
HyLoft Sticker

4 Shelf Brackets-2 lefts
and 2 rights

G These Instructions
and
Limited Warranty



INSTALL SHELF BRACKETS INTO WALL STUDS

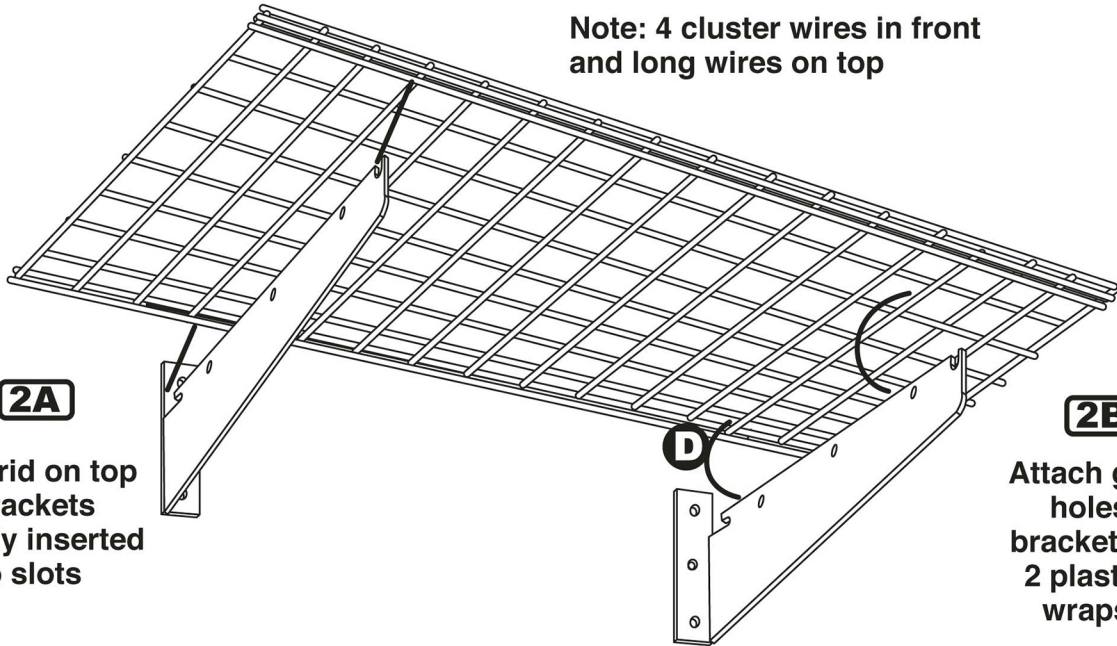


Note: Make sure brackets are level

2

PLACE AND ATTACH GRIDS

Note: 4 cluster wires in front and long wires on top

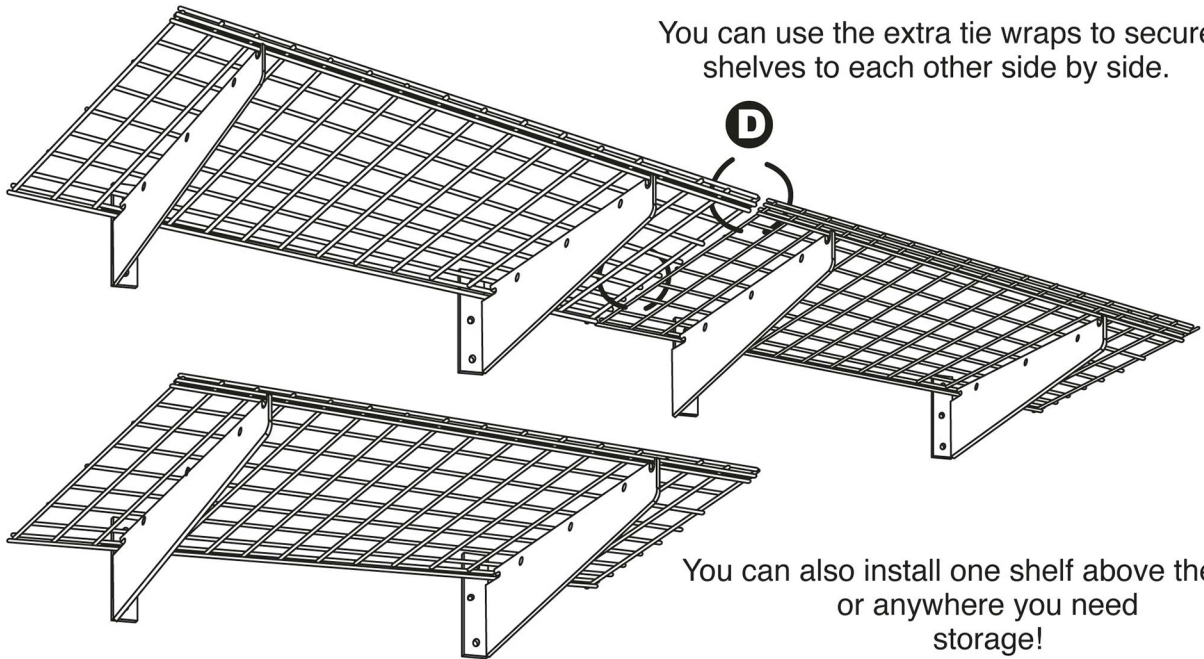


2A

Place grid on top of brackets until fully inserted into slots

2B

Attach grid to holes in brackets with 2 plastic tie wraps(D)

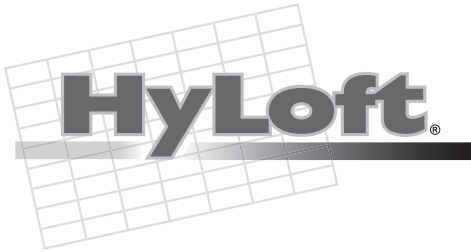


You can use the extra tie wraps to secure shelves to each other side by side.

You can also install one shelf above the other or anywhere you need storage!

You have now completed the installation and are ready to load your new HyLoft Shelf. **(Maximum 150 lbs. per 2' x 4' unit, evenly distributed)**. Place the sticker provided on a bracket for easy reference information.

Periodically (at least annually) check all connections to ensure that they remain tightly fastened.



We appreciate your purchase of the HyLoft Shelf System. Knap & Vogt has made every effort to supply a quality product that insures a lifetime of trouble-free service. In the event that you have any type of problems and BEFORE RETURNING THE UNIT TO THE SELLER, please call our toll-free number 1-800.253.1561

HyLoft SHELF Limited Warranty

Knap & Vogt warrants this product against defects in material or workmanship for the life of the product. Knap & Vogt agrees to either repair the product or replace it at their sole discretion. This warranty does not include any costs associated with the physical installation, removal or return of the HyLoft product.

This warranty is valid and enforceable provided that the maximum weight supported by each HyLoft Shelf does not exceed 150 pounds, evenly distributed. The customer, dealer, and/or installer releases Knap & Vogt of all claims, which includes the HyLoft unit and the structure it is attached to if the loaded weight exceeds 150 pounds. The unit must also be installed according to the manufacturer's instructions. All fasteners must be checked and tightened at least annually.

Only the original purchaser of this product is extended this warranty. No warranty work will be provided under this warranty without purchaser's receipt or other proof of the date of original purchase acceptable to Knap & Vogt. Proof of the date of purchase must be provided to Knap & Vogt if the product is returned.

This Knap & Vogt limited warranty covers product failure due to defects in materials or workmanship ONLY! It does not cover corrosion, rust or discoloration of its components, or product failure due to misuse, abuse, faulty installation, alteration, lack of reasonable care, or any other failure not related to defects in materials or workmanship.

There are NO other warranties expressed or implied except those stated here in as required by applicable law.

KNAP & VOGT SHALL NOT BE LIABLE FOR INCIDENTAL, SPECIAL OR CONSEQUENTIAL DAMAGES RESULTING FROM THE USE OF THE PRODUCT OR ARISING OUT OF ANY BREACH OF THIS WARRANTY. ALL IMPLIED WARRANTIES, IF ANY, INCLUDING IMPLIED WARRANTIES OF MERCHANTABILITY AND FITNESS FOR A PARTICULAR PURPOSE, ARE LIMITED IN DURATION TO THE DURATION OF THIS WARRANTY. Some states do not allow the exclusion or limitation of incidental or consequential damages, or limitations on how long an implied warranty lasts, so the above exclusions or limitations may not apply to you. No other warranty, written or verbal, will be honored for this product. This warranty gives you specific legal rights and you may also have other rights that vary from state to state.

Knap & Vogt is not responsible for damages of merchandise in transit. Repaired or replaced products shall be subject to the terms of this warranty, to be inspected by Knap & Vogt prior to return shipment. Damages incurred during transit should be reported at once to the carrier and a claim should be filed with them.

For assistance with your HyLoft storage system or to obtain warranty service, call our Customer Service Department toll-free at 1-800.253.1561. Please have the product type and date of purchase when you call to avoid delays. Thank You!

Knap & Vogt®
Grand Rapids, MI 49505 USA

For more information and frequently asked questions, visit our web site: www.hyloft.com