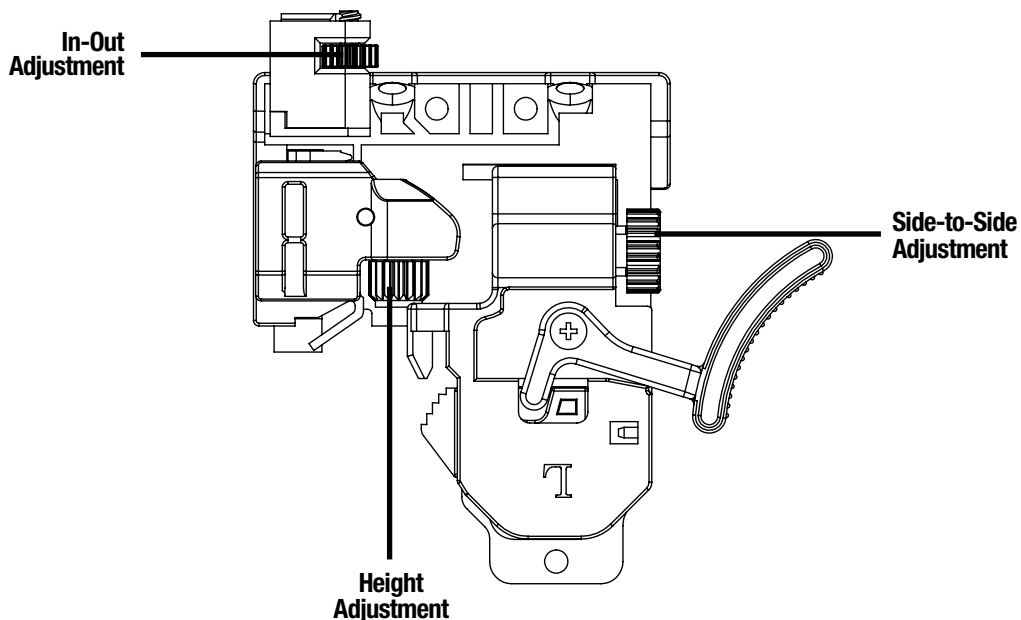


SPECIFICATIONS

- Number:** KV GSlide Soft-Close Undermount Drawer Slide
- Mounting:** Side, for Frame or Frameless Construction
- Height:** 1-7/8" (47.5mm)
- Load Rating:** 75-Pound Class
- Finish:** Zinc
- Travel:** Full Extension
- Maximum Material Thickness:** 5/8" (16mm)
- Height Adjustment:** 1/8" (+3mm)
- Side Adjustment:** 1/16" (+/-1.5mm)
- In-Out Adjustment:** 1/8" (+3mm)
- Sizes:** 12", 15", 18", 21"
- Packaged:** Bulk (B): 6 Pairs per Carton
- Slide Fasteners:** #7 x 5/8" Flat Head Screw
- Release Levers:** #7 x 3/4" Flat Head Screw

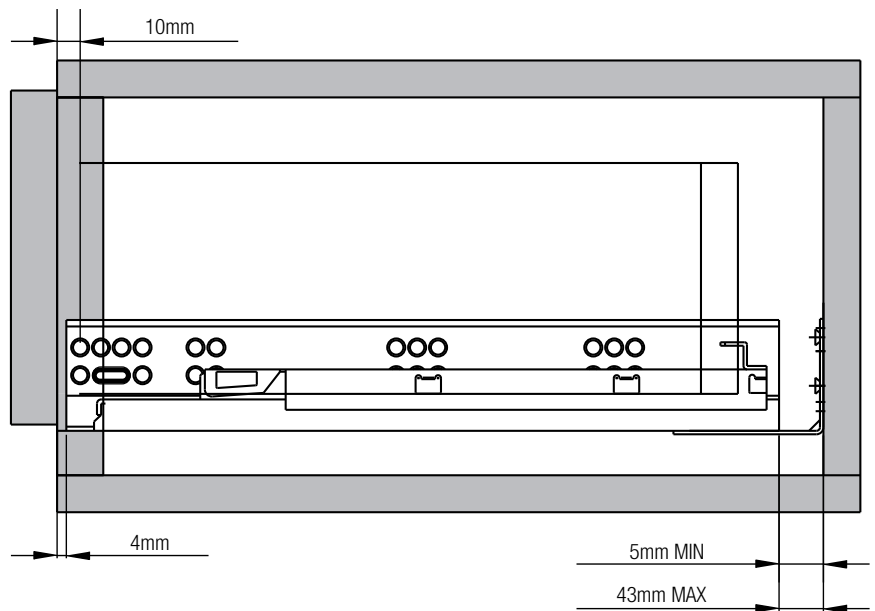
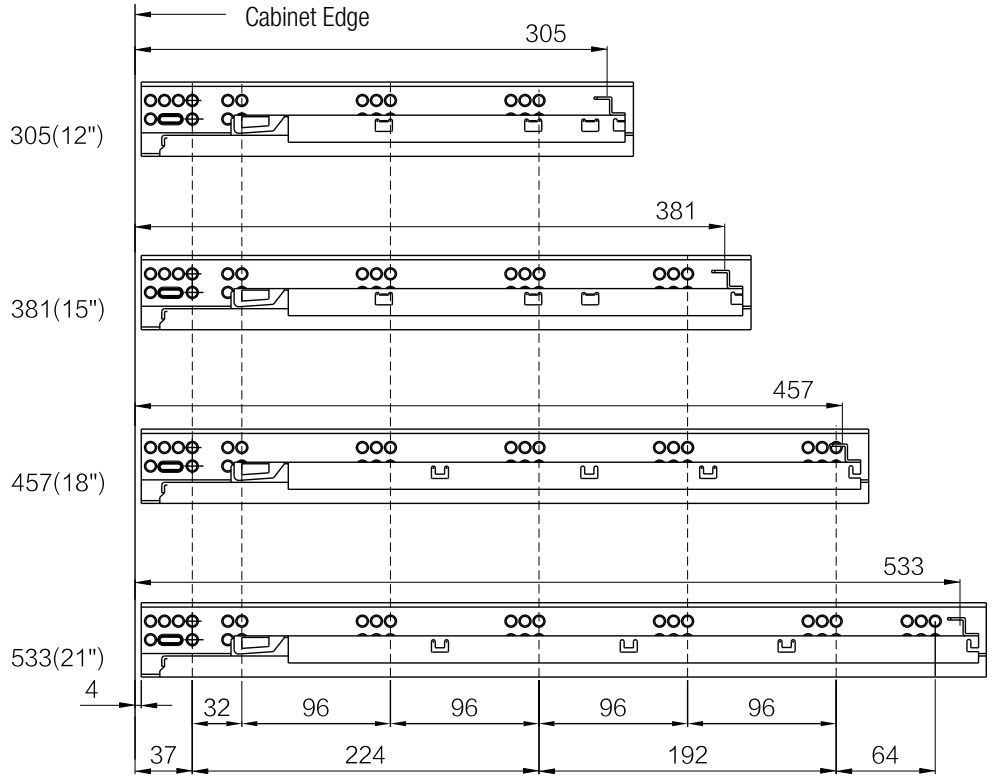
Slide Part #	Nominal Length	Carton Quantity
KVGS-2070AB 12	12" [305mm]	6 pair
KVGS-2070AB 15	15" [381mm]	6 pair
KVGS-2070AB 18	18" [457mm]	6 pair
KVGS-2070AB 21	21" [533mm]	6 pair
Release Lever Part #	Adjustment	Carton Quantity
2070-3D-RL	Height: +3mm Side-to-Side: ± 1.5mm from center or +3mm total In/Out: +3mm	30 pair (1 pr. bag)
Rear Brackets Part #	Material	Carton Quantity
2070-RBMA	Metal	60
2070-RBPA	Plastic with dowels	60

RELEASE LEVER ADJUSTMENT



MOUNTING SPECIFICATIONS

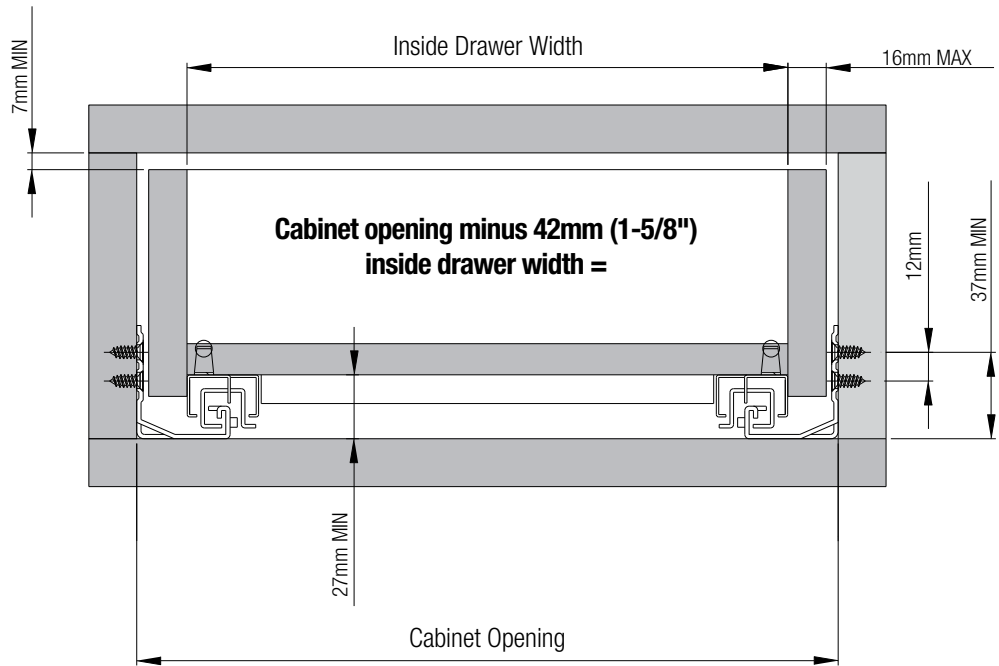
Part #	Set Back	Drawer Length	Slide Length
KVGS-2070AB 12	5/32" (4mm)	12" (305mm)	12.72" (323mm)
KVGS-2070AB 15	5/32" (4mm)	15" (381mm)	15.43" (392mm)
KVGS-2070AB 18	5/32" (4mm)	18" (457mm)	18.43" (468mm)
KVGS-2070AB 21	5/32" (4mm)	21" (533mm)	21.42" (544mm)



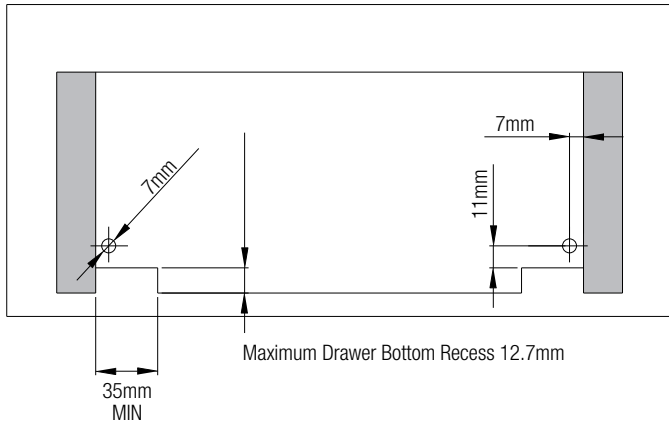
DRAWER DIMENSIONS

Outside Drawer Width Calculation

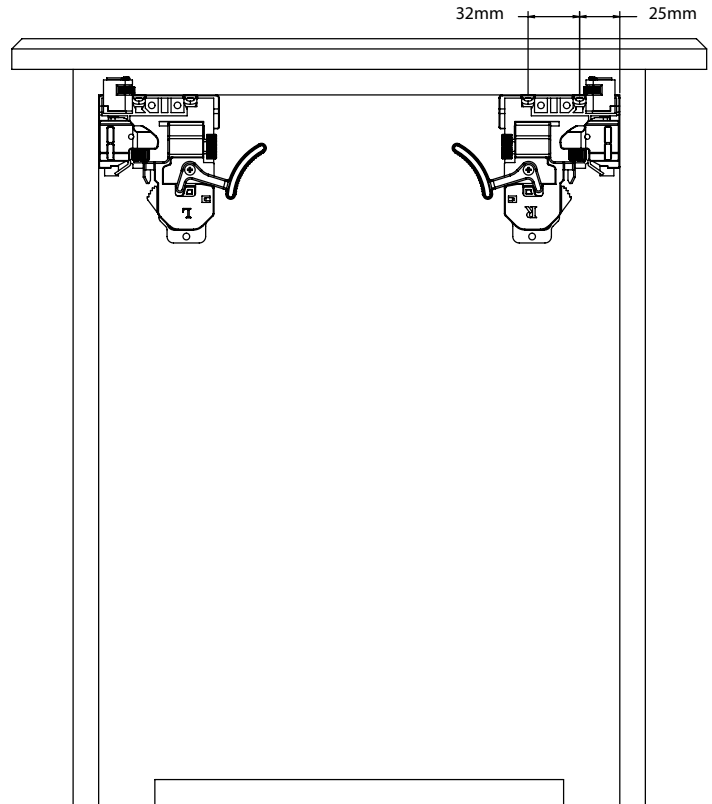
Drawer Thickness	Deduct from Opening Width
5/8" [16mm]	3/8" [10mm]
9/16" [14mm]	9/16" [14mm]
1/2" [13mm]	5/8" [16mm]



REAR NOTCH

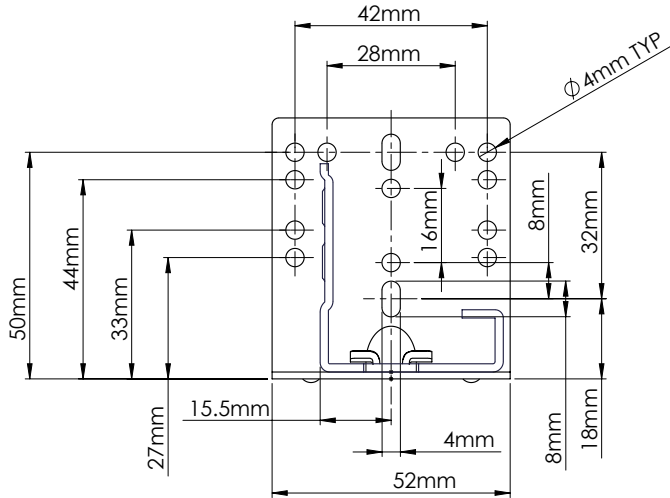


RELEASE LEVER

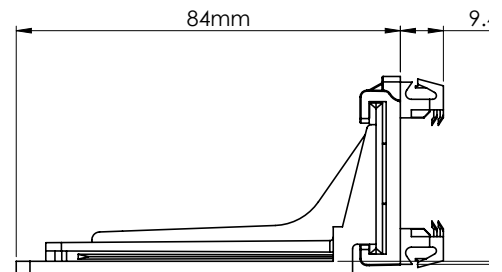
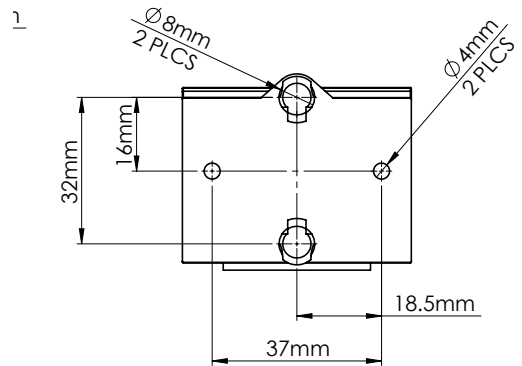
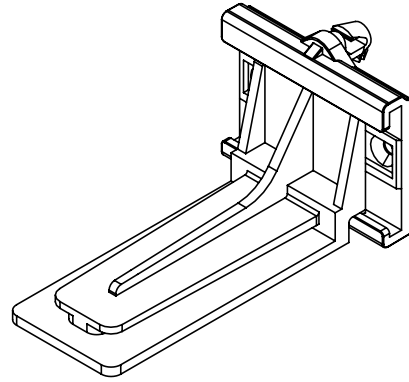


REAR BRACKETS

METAL REAR BRACKET



PLASTIC REAR BRACKET



1mm



KNAPE & VOGT®

2700 Oak Industrial Drive NE Grand Rapids, MI 49505
800.253.1561 • 616.459.3311 • fax 616.459.3290 www.kv.com