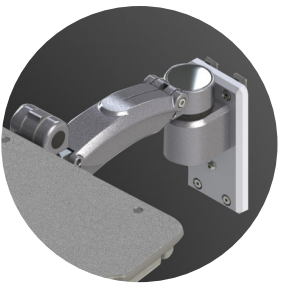
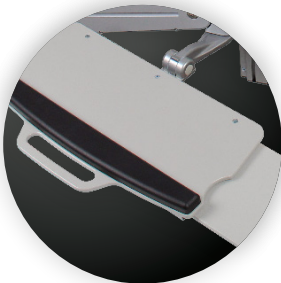
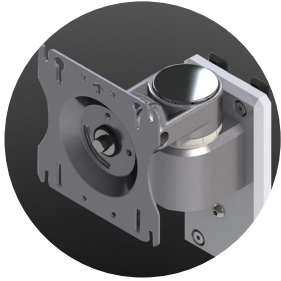


CX Independent Flush Track Mount



INTELLIGENTLY DESIGNED

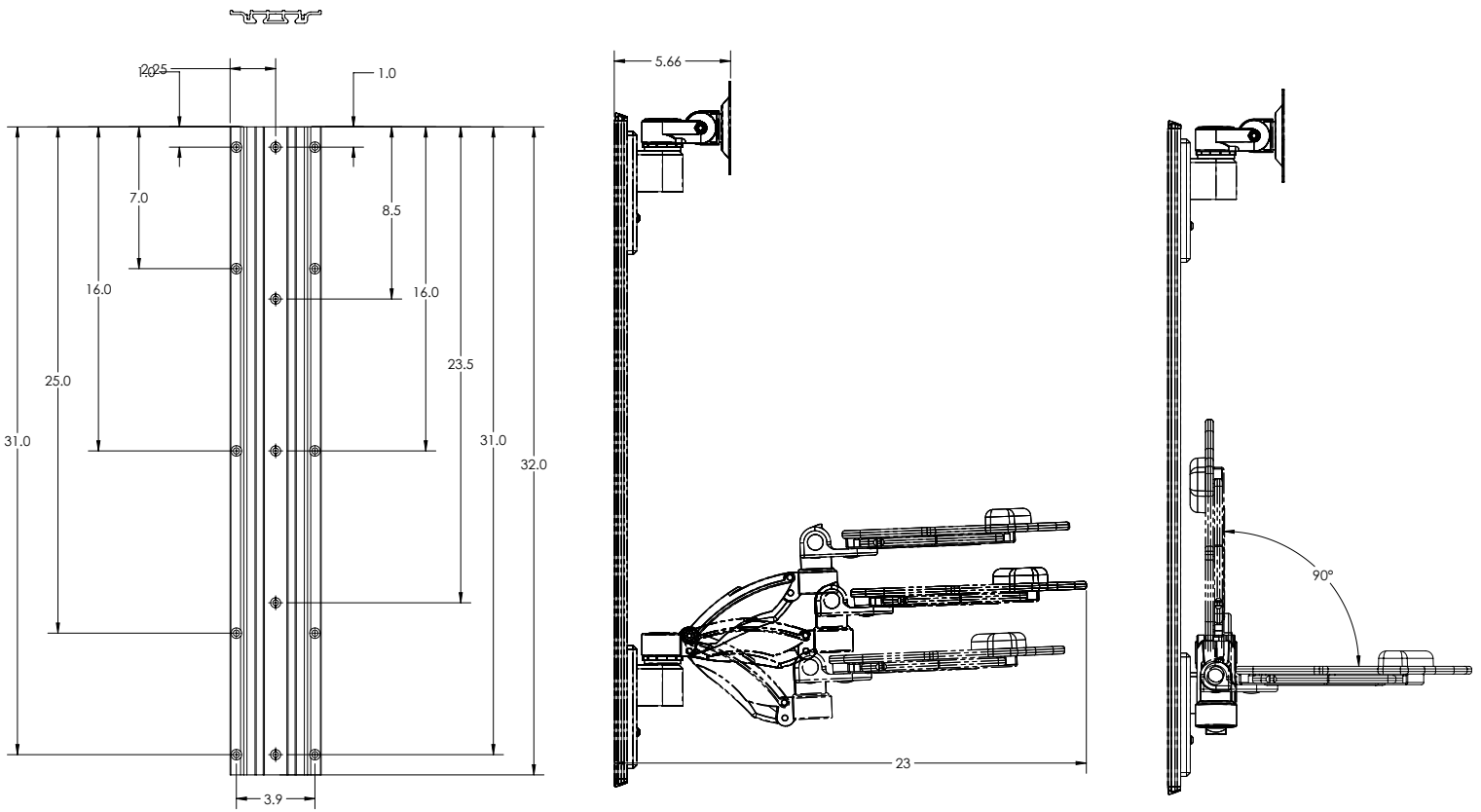
- Single handed counter balance adjustments are effortless, optimizing workflow efficiencies while sitting or standing
- Keyboard flips up 90 degrees for a compact storage position when not in use
- OSHPD Approved, ensuring installations meet local building codes and infrastructure requirements

INSTALLS IN MINUTES

- Ships pre-assembled resulting in minimal after-sale installation costs and reduced “down time” for critical care areas
- Complete mounting hardware is supplied resulting in seamless integration into multiple surfaces
- Quick connect Vesa adaptor allows for single person integrations and portrait to landscape preferences

BUILT FOR LIFE

- Designed for long term dependability, within varying EMR implementations and adaptations, maximizing return on investment
- Maintains high infection control standards with durable anti-microbial agents incorporated into all contact surfaces
- Manufactured of steel, aluminum and high density polyethylene materials supporting high performance long-term usage



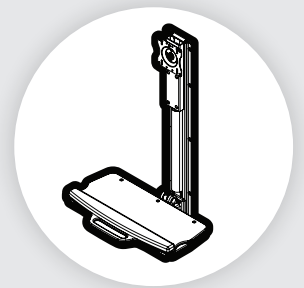
CX Independent Flush Track Mount

CX Independent Flush Track Mount

Model	LCD Max Capacity	KB Max Capacity	LCD Rotation	LCD Tilt Range	LCD Pivot	OPA Number
154120SH32	20 lbs.	6lbs.	360° Portrait to Landscape	180°	180°	OPM-0049-13
Shipping weight: 36 lbs. Box dimensions: 36" x 29" x 9"						

Silver

Finish:



2700 Oak Industrial Dr. NE
Grand Rapids, MI 49505-6026 USA
1.800.253.1561 | 616.459.3311
Fax: 877.636.3290
www.kv.com