



# Dual-Monitor Mount Options

# Why Do We Need Monitor Arms?

- Removes the monitor from the desk freeing up valuable desk space
- Facilitates instant height and depth adjustment of the screen/s for comfortable viewing and optimal ergonomic comfort
- Provides full articulation of the screen/s for seated and standing users
- Allows adjustment for frequent posture changes, reducing the risk of stress, fatigue and injury while increasing productivity
- Provides screen height adjustment for height adjustable desk users which is important when moving from seated to standing postures and for bi-focal users.
- Provides screen tilt for reduction in glare from windows or overhead lighting
- The screen rotation allows for quick portrait to landscape viewing
- Supports collaboration for shared screen viewing
- Provides support of single screen to multiple screen displays
- Keeps monitor cables organized and tidy

**On fixed and height adjustable desks, the Monitor arm is not just an accessory, it is a NECESSITY**

# Why KV Waterloo Monitor Arms

- Full breadth of product, providing single and multi-screen applications from one screen to eight screens, with fixed or counterbalanced arms
- The broad product offering meets a wide range of applications through a multiple array of feature sets at various price points
- Clamp and grommet mount attachments come as standard, as well as a variety of wall mount solutions such as track mount, slat wall mount, direct wall mount and sliding track wall mount
- Monitor arms are configured to support accessories such as iPad's, laptops, document holders and CPU's
- Customizable features (depending on volume) allowing for proprietary designs
- Standard color pallet includes silver, white & black (polished finish optional on some versions)
- Most arms are TAA compliant for GSA bids (Made in USA)

# Concerto vs Xtend

## Concerto

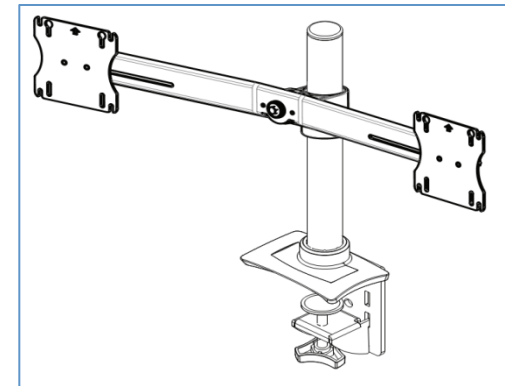
- High-end modular design with designed-in modularity for expansion or reconfiguration
- Single height adjustable arm segment rated for 20 lbs
- Fixed-only and height-adjustable arm configurations available
- Aesthetically pleasing design with refined shrouding and cable management
- Pole mounted design allowing for secondary height adjustment

## Xtend

- Economy design, built to compete in economy and bid situations.  
WYSIWYG
- Single height adjustable arm segment rated for 14 lbs
- Only height-adjustable arm configurations offered
- Stripped-down design allowing for price reduction by removal of shrouds, cable management
- Non-pole design with height adjustment via arm only

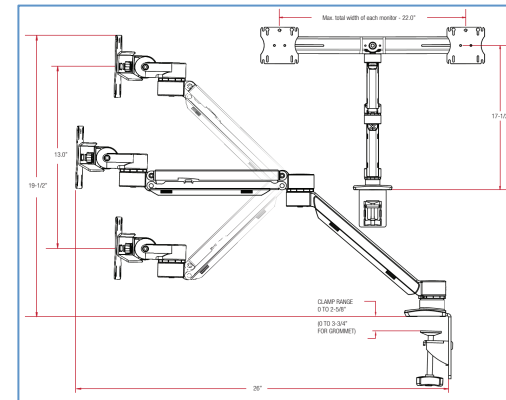
# 7827SJ16 Xtend Dual Crossbar Pole Mount

- Market need – Economy Crossbar Mounted dual monitor support with no arm extensions, 16" pole
- Design Features:
  - Painted steel crossbar allowing for dual monitor attachment
  - Post base with grommet or clamp mounting
  - Comes with tilt feature on crossbar
  - Minimum extension from wall to VESA plate 5.5"
  - Maximum monitor widths 22.00"
  - Fixed booking angle on crossbar of 15°
  - Height adjustment via pole assembly
  - Maximum monitor weight 20 lbs per screen
  - Available in Silver, White, and Black finishes
  - BIFMA Compliant



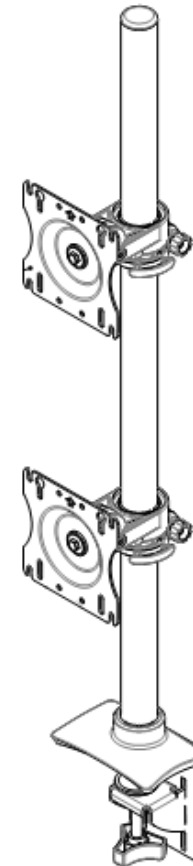
# 7822SJ02 Xtend Non-Pole Mount

- Market Niche – Economy Dual Crossbar monitor support with dynamic height adjustable monitor arm, non-pole mount
- Design Features:
  - Dual beam monitor support with dual extension arms, one fixed arm one height adjustable arm.
  - Dynamic arm adjustment 13.00" in height
  - 20 lb Maximum spring counterbalanced monitor capacity for both monitors (10lb per screen)
  - Maximum monitor widths 22.00"
  - Fixed booking angle on crossbar of 15°
  - Minimum extension from wall to VESA Plate 4.87"
  - Concealed cable management on fixed and adjustable arms
  - Comes with clamp and grommet mounting kit
  - Available in Silver, White, and Black finishes



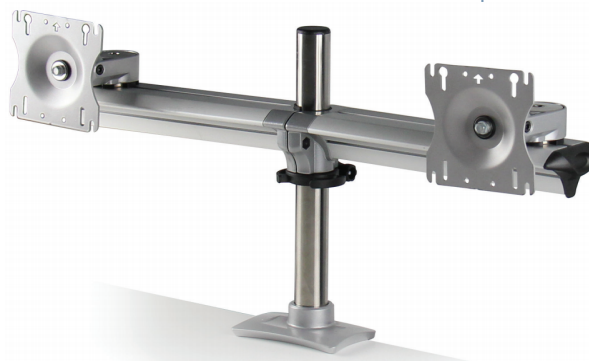
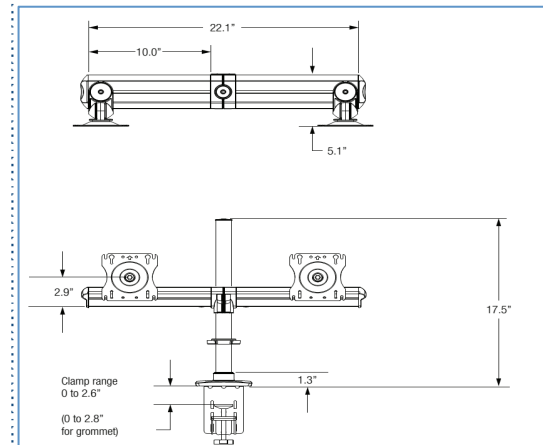
## 7821S30 Dual Monitors 30" Pole

- Market need – Ability to mount dual monitors vertically for optimal ergonomic viewing comfort. Dual vertical mounted unit can be mounted side by side for quad screen applications and allows for placement of monitors mounted close to wall or panel system
- Design Features:
  - Dual screen monitor support on single 30" pole for vertical array
  - 20 lb Maximum monitor load per monitor
  - Minimum extension from wall to VESA Plate 4.87"
  - Height adjustment via 30" pole assembly
  - Cable management on fixed pole clamps
  - Comes with clamp and grommet mounting kit
  - Available in Silver, White, and Black finishes



# 7825S Concerto Beam Pole Mount

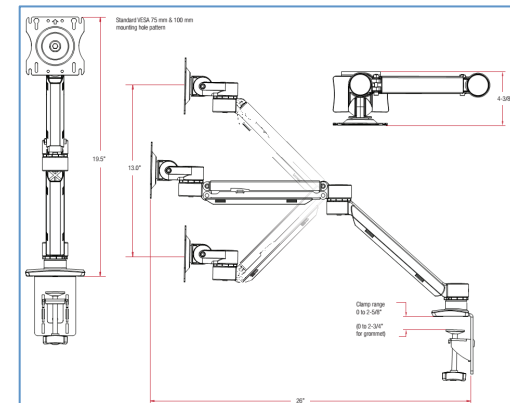
- Market Niche – Beam Mounted dual monitor support with no arm extensions, 17.5” pole
- Design Features:
  - Extruded beam allowing for multiple monitor attachment
  - Post base with grommet or clamp mounting kit
  - Comes with tilt, swivel and rotational VESA mount head,
  - Cable management on post and under beam assembly
  - Maximum monitor widths 22.00”
  - Adjustable booking angle on crossbar of 15°
  - Height adjustment via pole assembly
  - Maximum monitor weight 20 lbs per screen
  - Available in Silver & Black finish
  - Quick connect screen adaptors provided





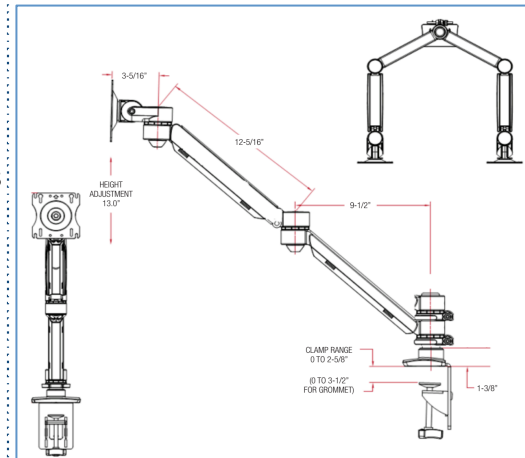
# 7818SJ02 Single Monitor Xtend

- Market need – Ability to mount multiple monitors for optimal ergonomic viewing comfort. Dual Xtend mounted side by side allows for placement of monitors mounted close to wall or panel system
- Design Features:
  - Single screen monitor support with dual extension arms, one fixed arm one height adjustable arm.
  - Dynamic arm adjustment 13.00" in height
  - 14 lb Maximum spring counterbalanced monitor capacity
  - Minimum extension from wall to VESA Plate 4.37"
  - Concealed cable management
  - Comes with clamp and grommet mounting kit
  - Available in Silver, White, and Black finishes



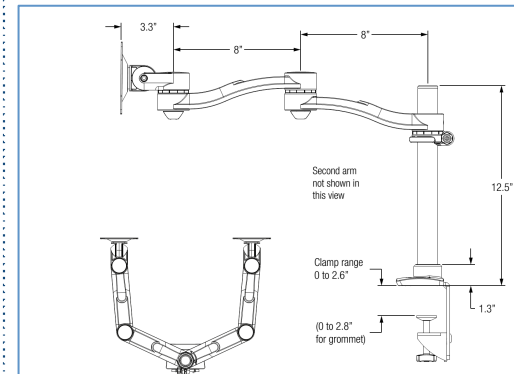
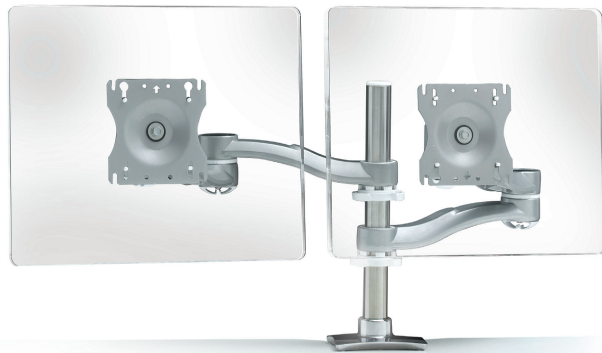
# 7823SJ05 Xtend 5" Pole Mount

- Market Niche – Economy Dual Arm monitor support with dynamic height adjustable monitor arms, 5" pole mount
- Design Features:
  - Dual arm monitor support with dual extension arms, one fixed arm, one height adjustable arm
  - Dynamic arm adjustment 13.00" in height
  - 14 lb Maximum spring counterbalanced capacity for each arm
  - Maximum monitor widths 38.00"
  - Minimum extension from wall to VESA Plate 4.37"
  - Concealed cable management on fixed and height adjustable arms
  - Comes with clamp and grommet mounting kit
  - Available in Silver and Black finishes



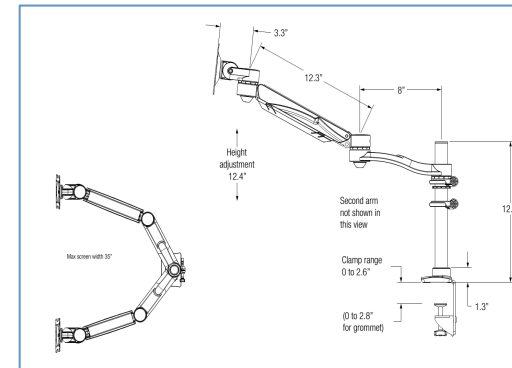
# 7820S Concerto Pole Mount

- Market Niche – Dual Arm monitor support with dual fixed arms on pole mount
- Design Features:
  - Dual arm monitor support with dual extension fixed height arms
  - 20lb Monitor capacity for each arm assembly
  - Maximum monitor widths 32"
  - Minimum extension from wall to VESA Plate 4.37"
  - Height adjustment via pole assembly
  - Exposed cable management at pole and joint assemblies
  - Comes with clamp and grommet mounting kit
  - Quick connect screen adaptors provided
  - Available in Silver, White, Black and Polished finishes



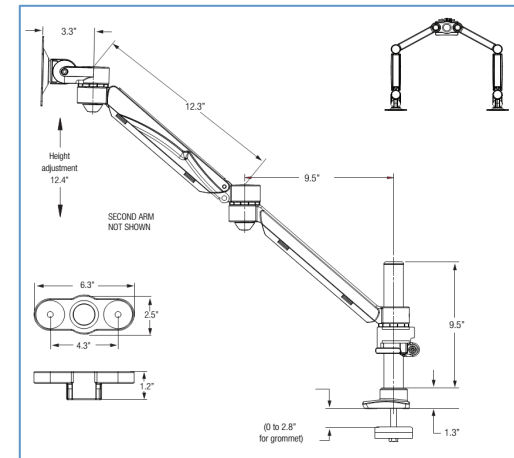
# 7820SH Concerto Pole Mount

- Market Niche – Dual Arm monitor support with dynamic height adjustable monitor arms on pole mount
- Design Features:
  - Dual arm monitor support with dual extension arms, one fixed arm one height adjustable arm
  - Dynamic arm adjustment 12.4" in height
  - Secondary height adjustment via pole assembly
  - 20 lb max spring counterbalanced capacity for each arm
  - Maximum monitor widths is 35"
  - Minimum extension from wall to VESA Plate 4.37"
  - Exposed cable management at pole and joint assemblies, concealed on height adjustable arm
  - Comes with clamp and grommet mounting kit
  - Quick connect screen adaptors provided
  - Available in Silver, White, Black and Polished Aluminum



# 7823SHD09 Concerto Pole Mount With Hub

- Market Niche – Dual Arm monitor support with dynamic height adjustable monitor arms, 9” pole mount with dual hub
- Design Features:
  - Hub mounted dual arm monitor support with dual extension arms, one fixed arm one height adjustable arm
  - Dynamic arm adjustment 12.40” in height
  - Secondary height adjustment via pole assembly
  - 20 lb max spring counterbalanced capacity for each arm assembly
  - Maximum monitor widths 42.00”
  - Minimum extension from wall to VESA Plate 4.37”
  - Concealed cable management on fixed and height adjustable arms
  - Comes with grommet mounting kit only
  - Quick connect screen adaptors provided
  - Available in Silver, White and Black finishes



# Dual-Monitor Mount Summary

Model Number	Page	Independent Monitor Adjustment	Adjustable Booking Angle	Dynamic Height Adjustment	Pole Height Adjustment	Load Capacity per Screen	Maximum Screen Width	
<a href="#">7827SJ16</a>	2	No	No	No	Yes	20 lb.	22"	
<a href="#">7822SJ02</a>	3	No	No	Yes	No	10 lb.	22"	
<a href="#">7821S30</a>	4	Yes	N/A	No	Yes	20 lb.	Infinite	
<a href="#">7825S</a>	5	No	Yes	No	Yes	20 lb.	22"	
<a href="#">7818SJ02 x2</a>	6	Yes	Yes	Yes	No	14 lb.	Infinite	
<a href="#">7823SJ05</a>	7	Yes	Yes	Yes	No	14 lb.	38"	
<a href="#">7820S</a>	8	Yes	Yes	No	Yes	20 lb.	32"	
<a href="#">7820SH</a>	9	Yes	Yes	Yes	Yes	20 lb.	35"	
<a href="#">7823SHD09</a>	10	Yes	Yes	Yes	Yes	20 lb.	42"	