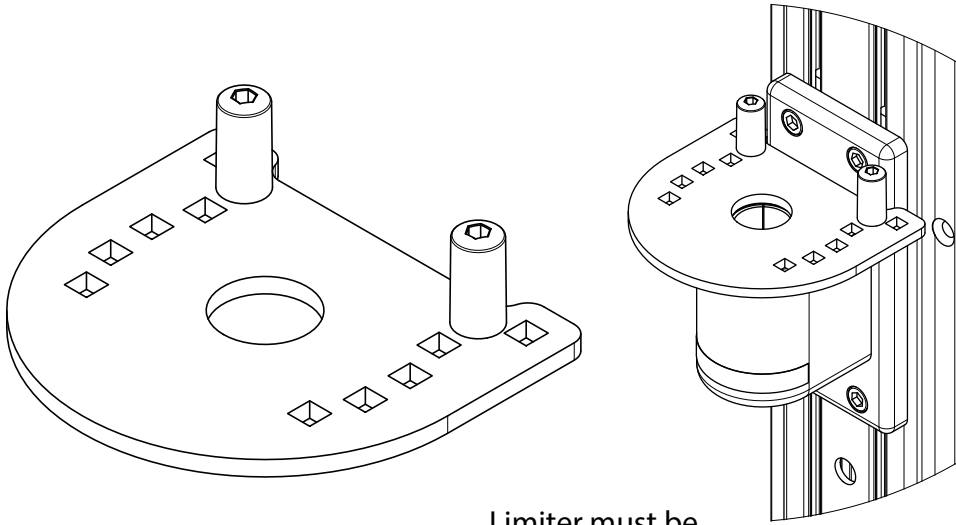


INSTALLATION INSTRUCTION FX PIVOT LIMITER



Limiter must be installed onto wall ear.

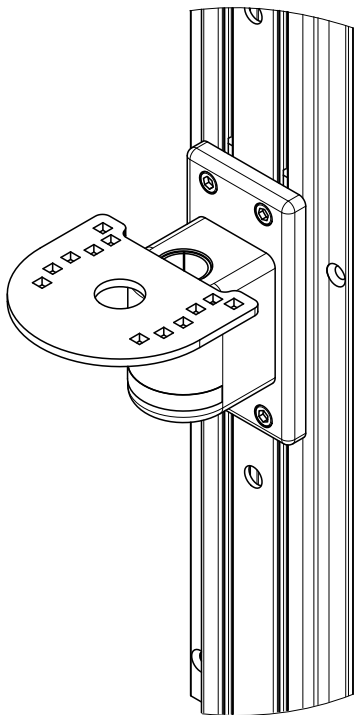
INSTALLATION WARNINGS: Read the entire instruction sheet before you begin installation or assembly. Installer must verify that the wall will safely support the combined weight of all the attached equipment and hardware. Improper installation of this product can cause extensive property damage or serious personal injury, either during or after the installation. It is the responsibility of the installer to ensure that all applications including wood, concrete, block, brick, steel, etc. are secured properly to code. California installations could require specific anchorage, and additional mounting screws. Check with local authorities for codes in your area. Other seismic states have similar regulations.

DISCLAIMER: The Manufacturer and/or Distributor will bear no responsibility for any damages of any kind arising from any improper installation of this product. Because wall construction varies widely and the ultimate method of mounting is out of the Manufacturers or Distributors control, it is imperative that the installer consult with local engineering, architectural, or construction personal to ensure the wall mount is constructed properly and to code to handle the applied load.

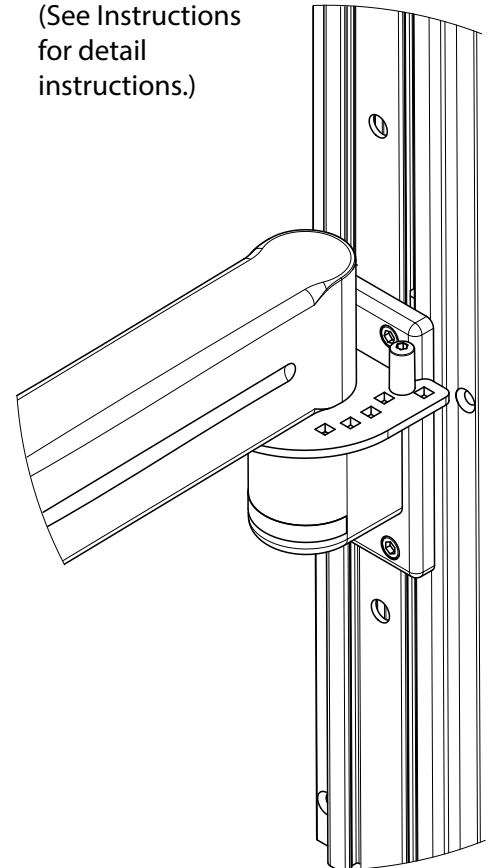
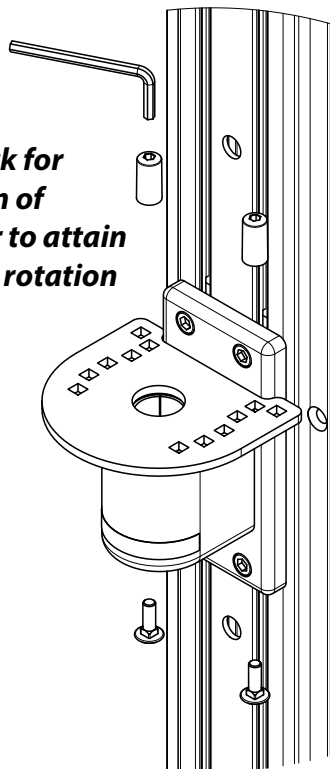
1.0 Slide Limiter onto wall ear.

2.0 Place carriage bolt in desired location and fasten the pivot post with a 3/16" Allen Key provided.

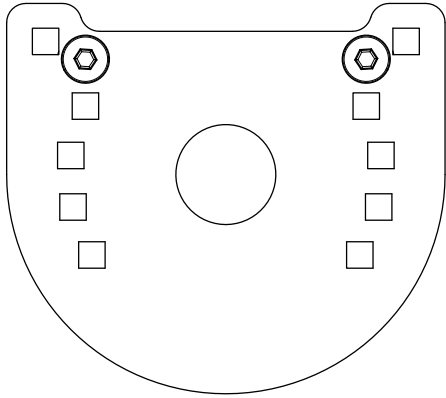
3.0 Place Arm onto Pin and secure with 5 1/2" bolt. (See Instructions for detail instructions.)



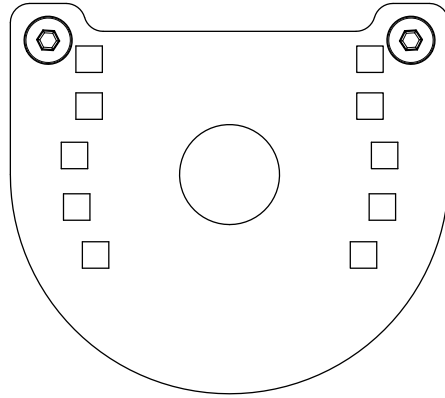
See back for location of stopper to attain desired rotation of arm.



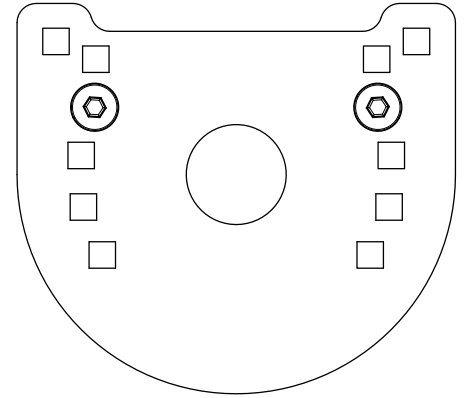
LOCATIONS TABLE FX PIVOT LIMITER



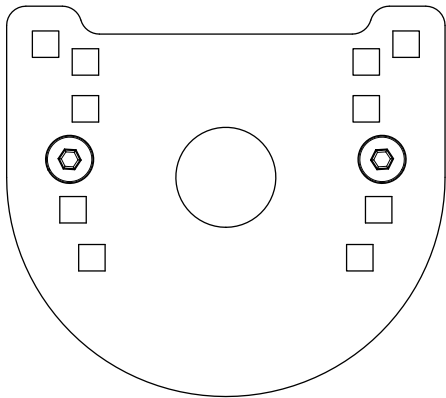
90° Stop with Extension Arm



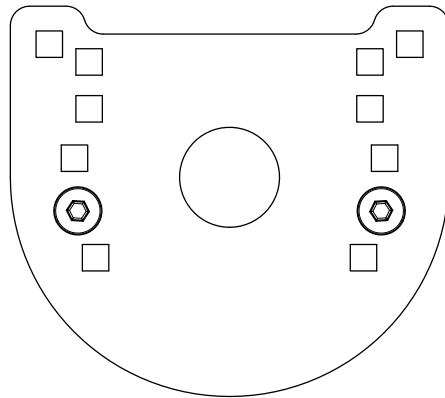
90° Stop **without** Extension Arm



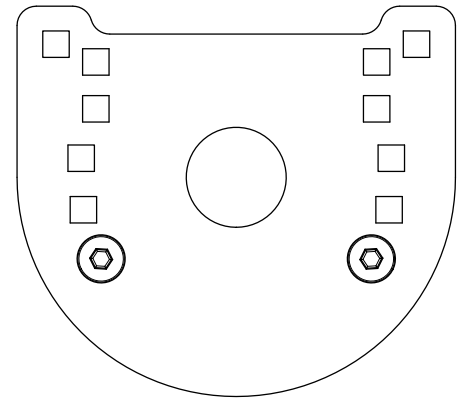
70° Stop of Rotation



50° Stop of Rotation



30° Stop of Rotation



0° Stop of Rotation (arm will be locked **perpendicular** to wall)