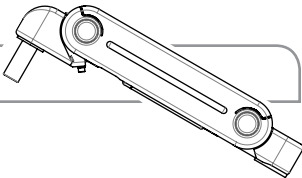
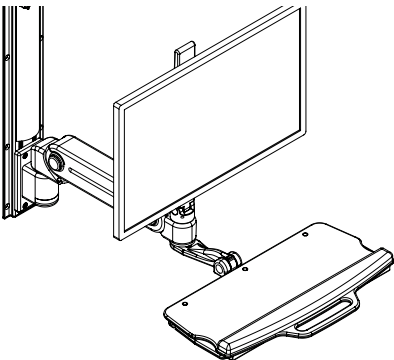


INSTALLATION MANUAL FOR WALL MOUNT COMBINATION ARMS

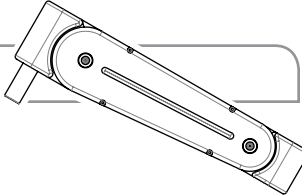
LIGHT DUTY ARMS



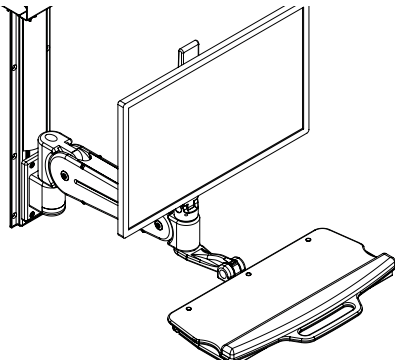
KEYBOARD TRAY VERSION Weight Capacity 4-20 lbs



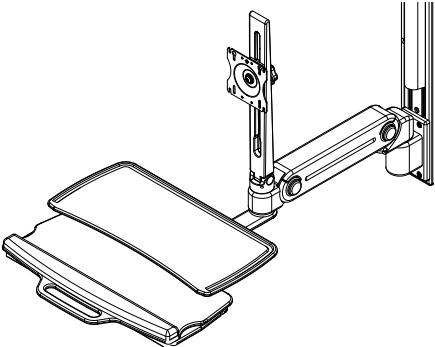
HEAVY DUTY ARMS



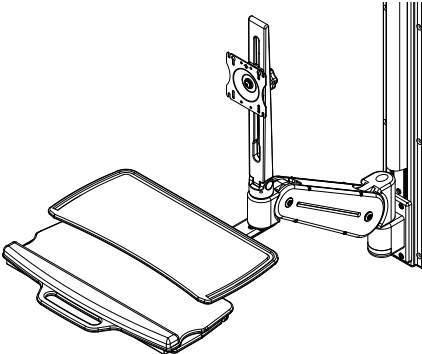
KEYBOARD TRAY VERSION Weight Capacity 8-40 lbs



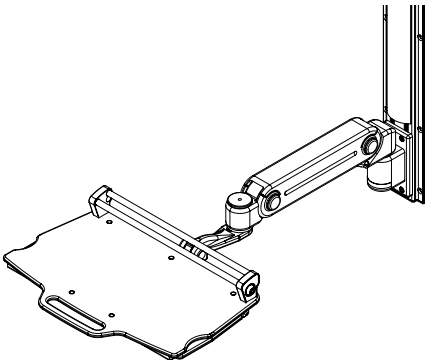
WORKSTATION VERSION Weight Capacity 6-18 lbs



WORKSTATION VERSION Weight Capacity 10-36 lbs



LAPTOP VERSION Weight Capacity 6-20 lbs



DUAL SCREEN VERSION Weight Capacity 10-36 lbs

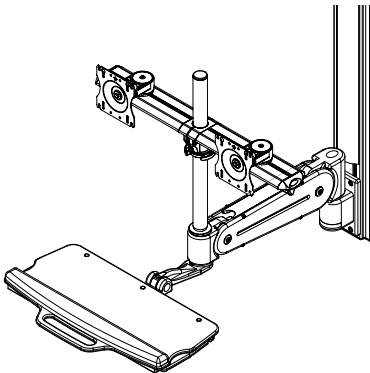
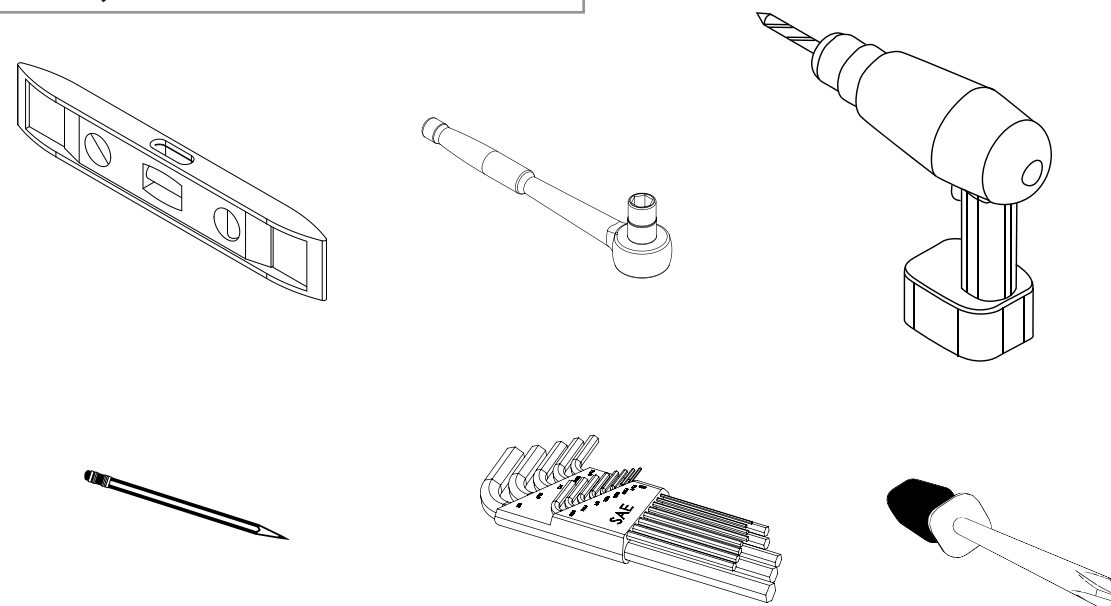


TABLE OF CONTENTS

Tools required / Installation Warnings / Disclaimer / Safety Warning / Adjustment Notification	3
Mounting Height.....	4
How to Install Toggles	5
Mounting Surface	6 - 7
Optional Pivot Limiter.....	8
Optional Extension Arm	9
Optional Extension Arm with Pivot Limiter	9
Main Arm Installation - Light Duty Arms	
Installation direct to Wall Ear	
Installation with Pivot Limiter	
Installation with Extension Arm	10
Main Arm Installation - Heavy Duty Arms	
Installation direct to Wall Ear	
Installation with Pivot Limiter	
Installation with Extension Arm	11
Monitor or Laptop Installation	12
Cable Management - Light & Heavy Duty Arms	12
Optional Extension Arm - Light & Heavy Duty Arms.....	12
Counter Balancing the Arm - Light & Heavy Duty Arms	13
Accessory Track Mount Installation	
Small Form Factor CPU	
Large Form Factor CPU	
Enclosed CPU	
Scanner Mount	14
Accessory VESA Mount Installation	15
Accessory Drop Kit Installation.....	15
Adjustment Guide	16

TOOLS REQUIRED



Allen Wrenches: 1/4", 3/8", 3/16", 1/8", 5/16", and 5/32"
 Socket Wrench: 7/16"
 Drill Bit: 1/8" and 1/2"

INSTALLATION WARNINGS:

- Read the entire instruction manual before beginning any installation or assembly.
- The installer must verify that the entire wall safely supports the combined weight of all the attached equipment and hardware.
- Improper installation of this product may cause extensive property damage or serious personal injury, either during or after installation.

DISCLAIMER:

- The manufacturer and/or distributor will bear no responsibility for any damages of any kind arising from any improper installation of this product.
- Because wall construction varies widely and the ultimate method of mounting/installing is out of the manufacturers or distributors control, it is imperative that the installer consult with local engineering, architectural, or construction personnel to ensure the wall is constructed properly to code and will handle the applied load.
- Through improper installation or excessive applied load the monitor and mount can be pulled out of the wall by force, taking with it a large section of drywall. In no way will the manufacturer or distributor be held liable for any damage to the monitor, property or personal injury should an outside force either intentionally or unintentional be applied to the monitor or monitor mounting bracket causing it to pull off the wall.

SAFETY WARNING:

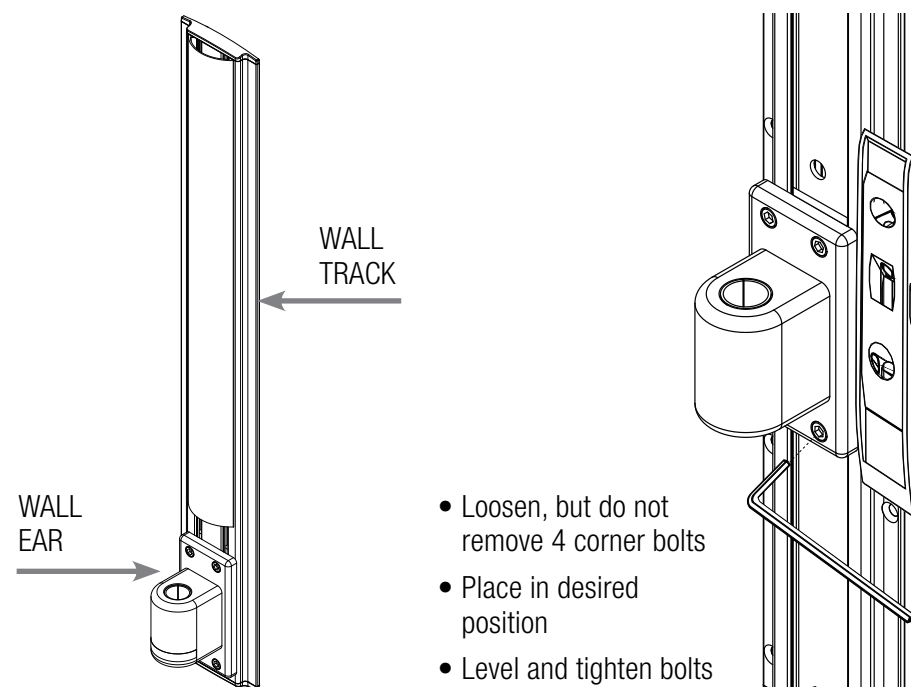
- California installations may require specific anchorage and additional supports. Check with local authorities for codes in your area. Other seismic states will have similar regulations.
- Prior to drilling verify the location of any electrical wiring with in the wall. An electrical short can kill or create serious injury and fire hazard both during and after installation.

ADJUSTMENT NOTIFICATION:

- Routine maintenance checks and adjustments are suggested to properly support the quality and optimal performance of this product. Refer to adjustment suggestions on last page of booklet or contact your distributor for further detailed information.
- Over tightening of bolts during installation or adjustments may cause damage to the product ultimately affecting the function.

MOUNTING HEIGHT

The track assembly is shipped with the wall ear installed at a suggested height. You may place the wall ear in any desired location on the track, providing you are installing directly to a stud center. **If you are installing into drywall, then the wall ear must be positioned on the bottom lower half of the track.**

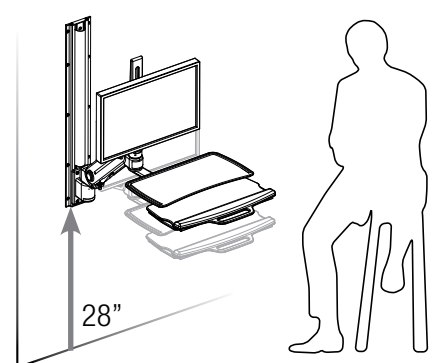


- Loosen, but do not remove 4 corner bolts
- Place in desired position
- Level and tighten bolts

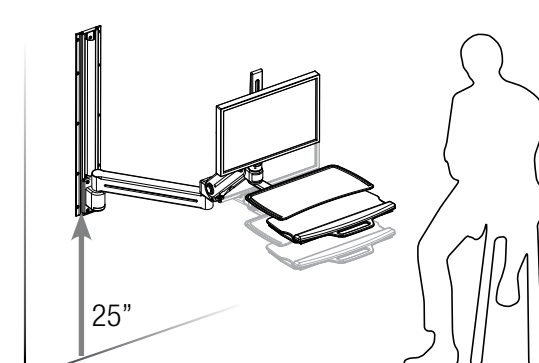
We recommend having the wall ear installed at the following heights which comfortably accommodates the majority of users in seated or standing positions.

28" FROM FLOOR TO BOTTOM OF WALL EAR

25" FROM FLOOR TO BOTTOM OF WALL EAR



Configurations without an extension arm



Configurations with an extension arm

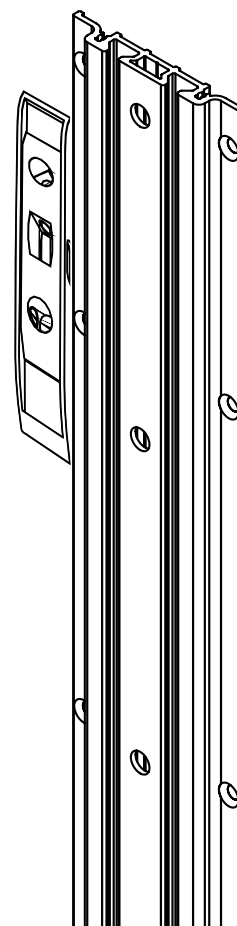
Some configurations will be supplied without any track, however a wall ear is still supplied. This version is a universal mounting solution and is intended to be installed into existing pre-installed compatible tracks.



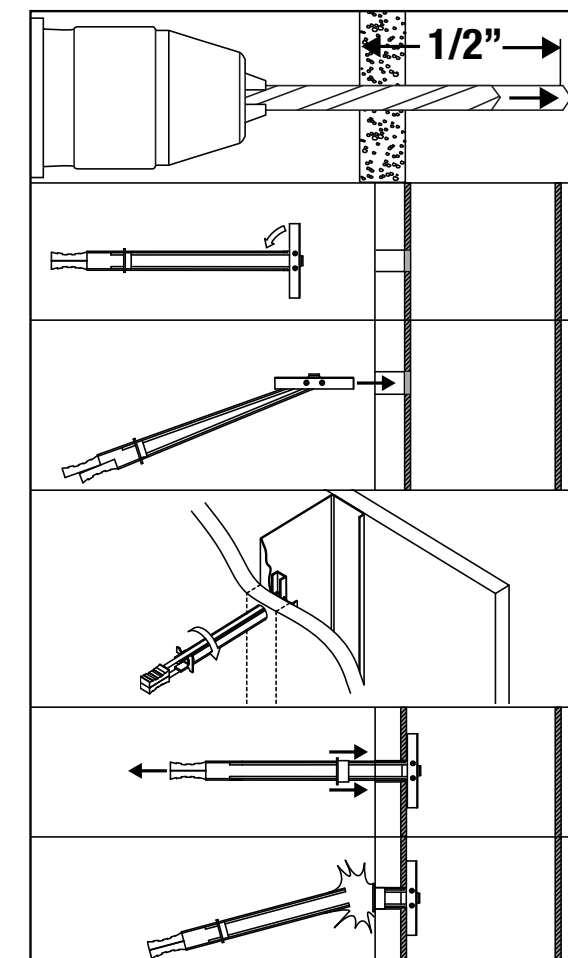
- Because wall construction varies widely and the ultimate method of mounting/installing is out of the manufacturers or distributors control, it is imperative that the installer consult with local engineering, architectural, or construction personnel to ensure the wall is constructed properly and to code to handle the applied load.
- The installer must verify that the entire wall will safely support the combined weight of all the attached equipment and hardware.
- The installed must verify that the existing wall track has been properly installed and maintained

HOW TO INSTALL TOGGLERS

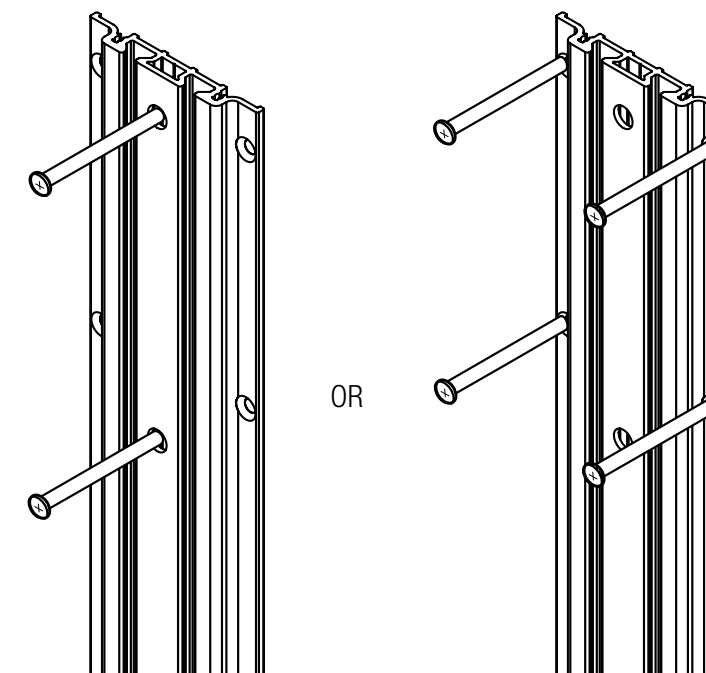
Use a level and ensure track is flush, flat and snug to the wall.



INSTALL TOGGLER BOLTS



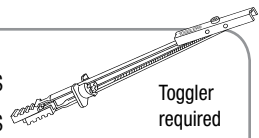
Use bolts provided to secure track to the wall. Refer to the reference guide on pages 6 and 7.



MOUNTING SURFACE

DIRECT TO DRYWALL

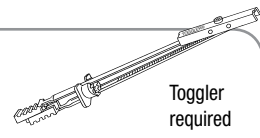
32" TRACK - 10 outer holes
48" TRACK - 10 outer holes



Toggle required

STEEL STUD

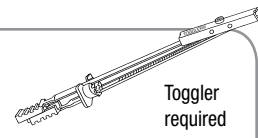
32" TRACK - 5 inner holes
48" TRACK - 4 inner holes



Toggle required

CONCRETE BLOCK

32" TRACK - 5 inner holes
48" TRACK - 4 inner holes



Toggle required

WOOD STUD

32" TRACK - 5 inner holes
48" TRACK - 4 inner holes



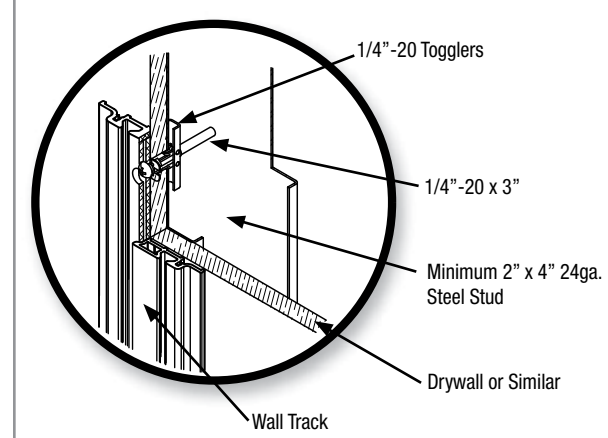
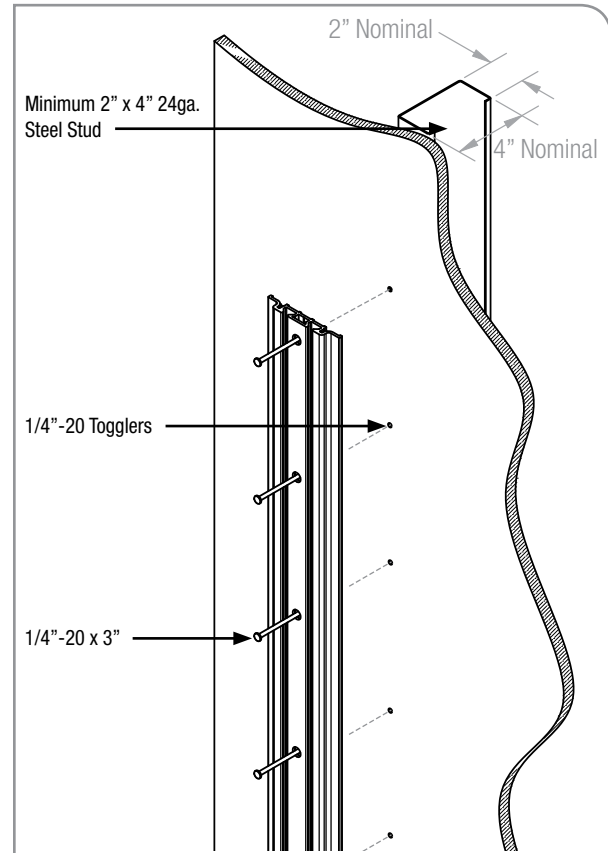
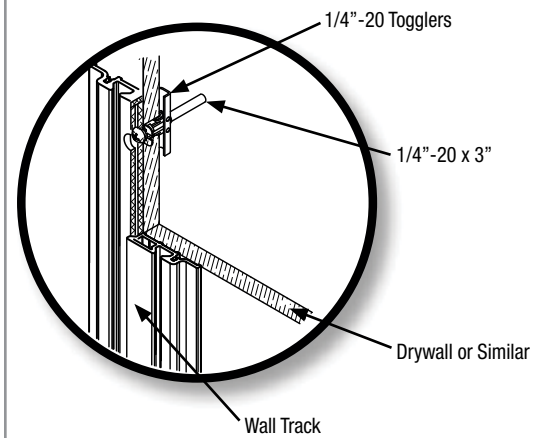
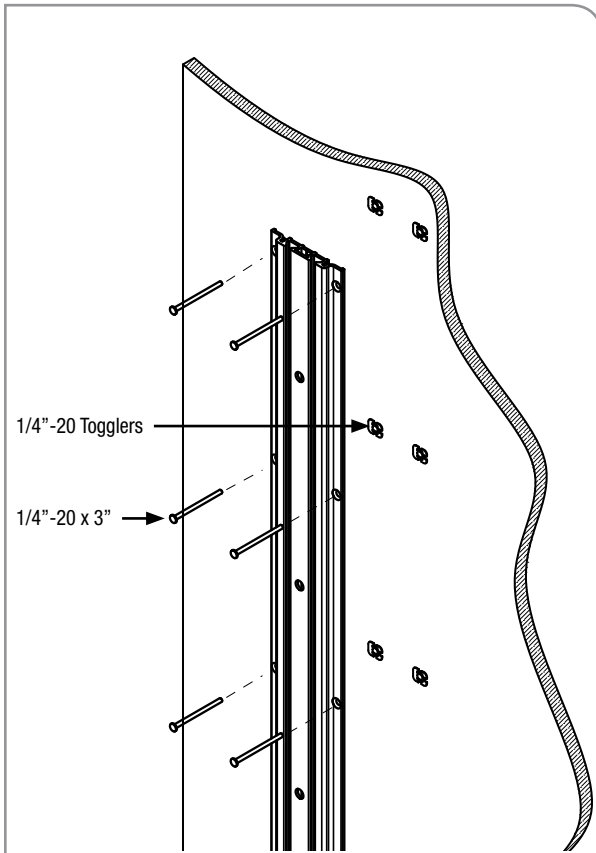
Toggle NOT required

CONCRETE WALL (solid)

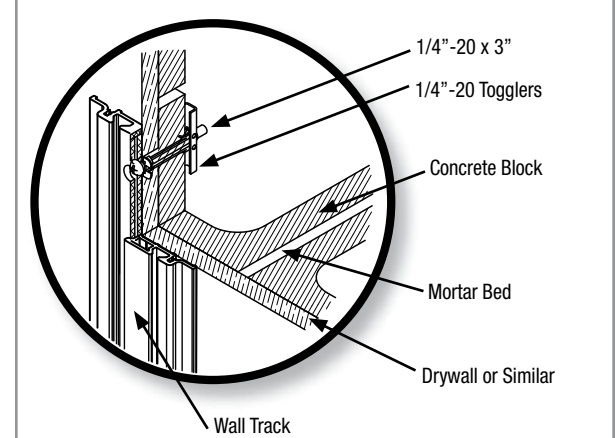
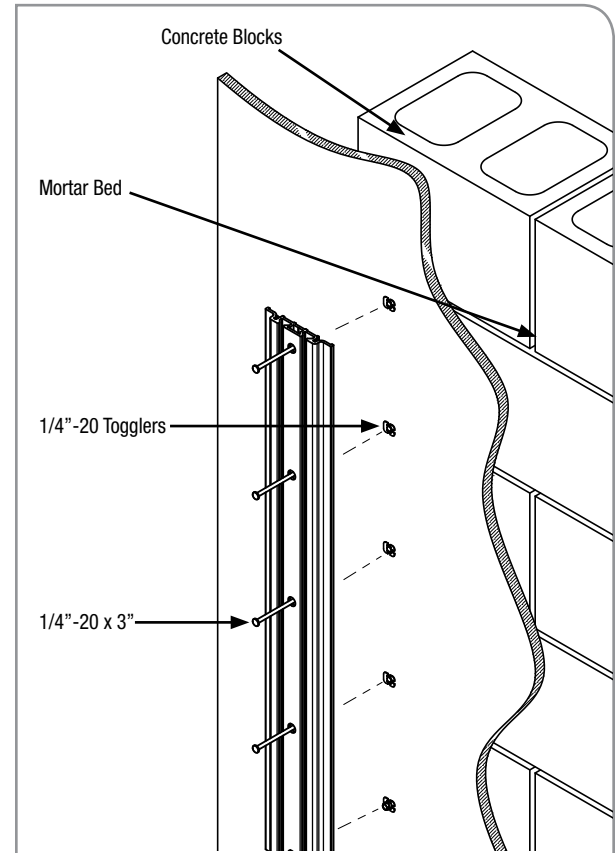
32" TRACK - 5 inner holes
48" TRACK - 4 inner holes



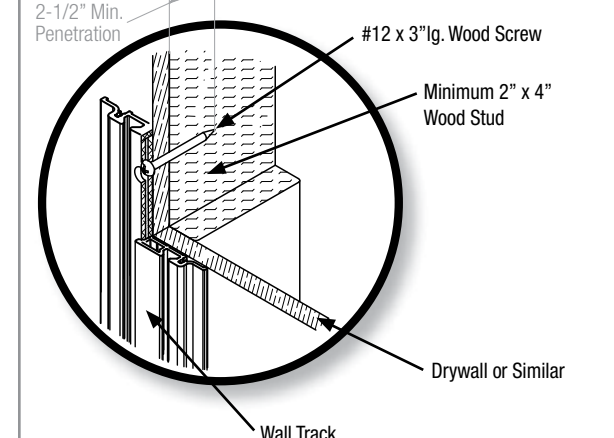
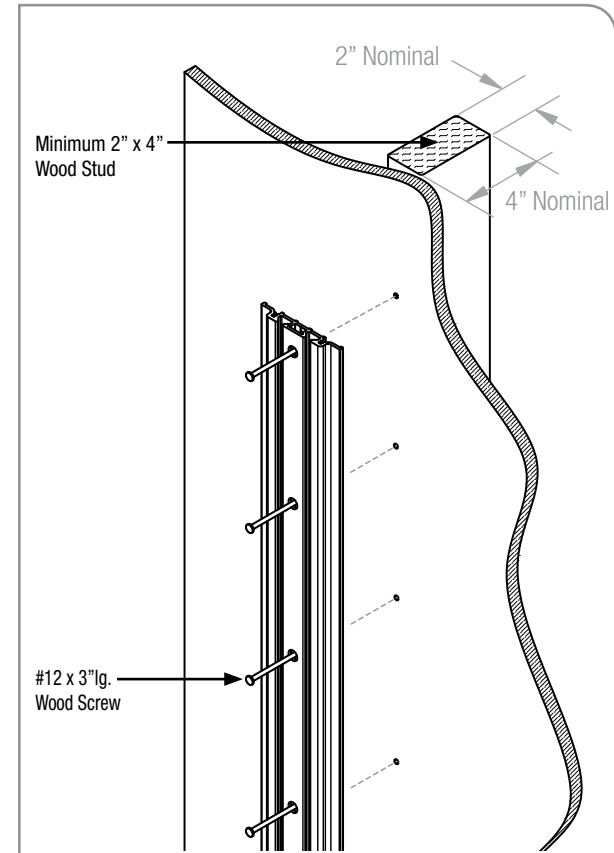
Toggle NOT required



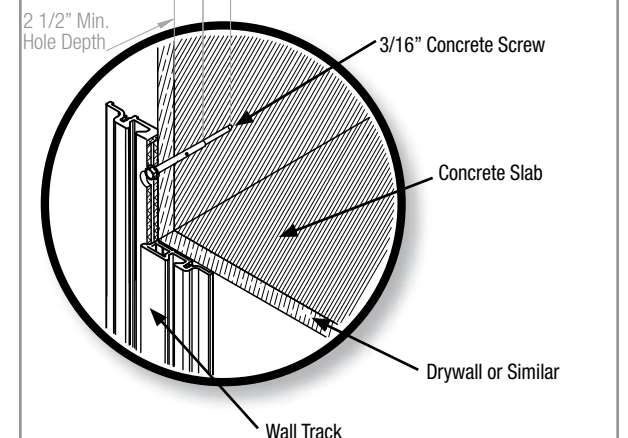
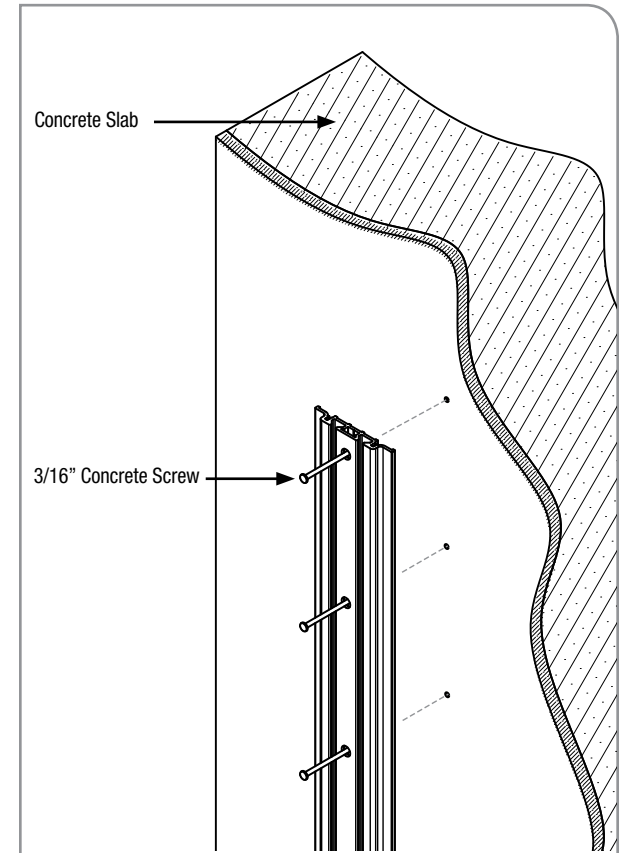
NOTE: Bolts are to be placed in the horizontal center of the 2" x 4" Steel Stud.



NOTE: Bolts must pass through concrete block. Bolts must not pass through mortar bed between blocks nor through the web within the blocks. When attaching to concrete blocks, only one bolt per cell allowed.



NOTE: Screws are to be placed in the horizontal center and must penetrate at least 2-1/2" into the wood stud.



3/16" x 2-1/4" lg. Min. Tapcon® Concrete Screws to pass through the Wall Track and into Ø.1902" pre drilled holes.
NOTE: Pre drilled holes to be created using Tapcon® drill bit for 3/16"x2-1/4"lg. concrete screws to a Min. hole depth of 2-1/2" into concrete slab.

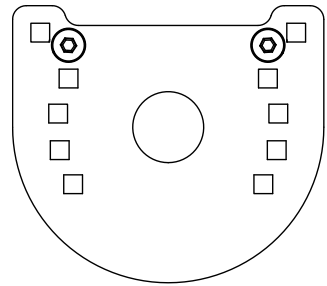
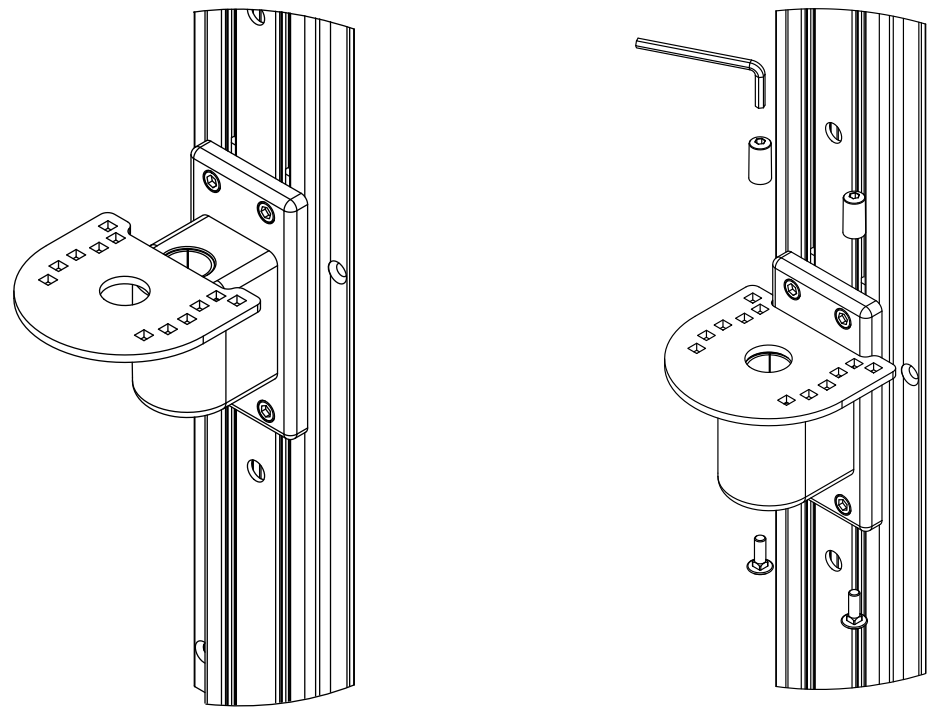
OPTIONAL ITEMS

These items are to be installed before the main arm.

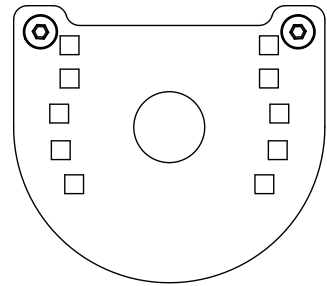
OPTIONAL PIVOT LIMITER

Installation direct to Wall Ear. This is an optional item and not included in all configurations.

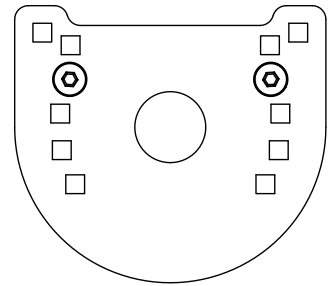
For further information please contact your distributor.



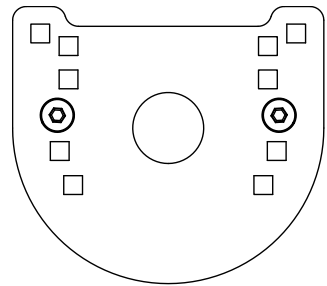
90° Stop with Extension Arm



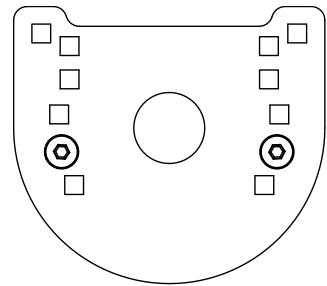
90° Stop **without** Extension Arm



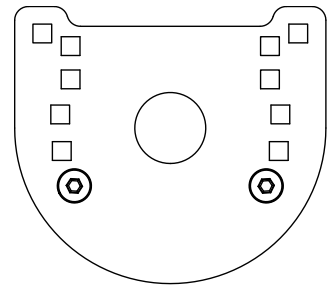
70° Stop of Rotation



50° Stop of Rotation



30° Stop of Rotation



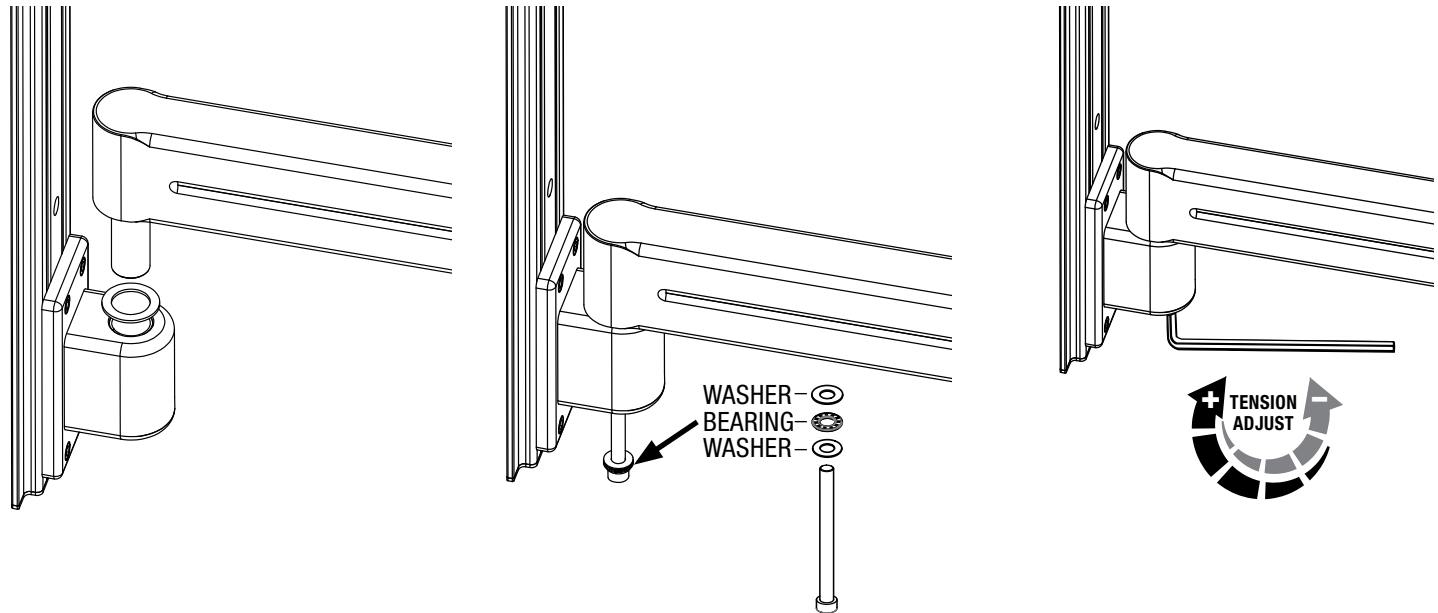
0° Stop of Rotation (arm will be locked **perpendicular** to wall)

OPTIONAL ITEMS

OPTIONAL EXTENSION ARM

Installation direct to Wall Ear. This is an optional item and not included in all configurations.

For further information please contact your distributor.

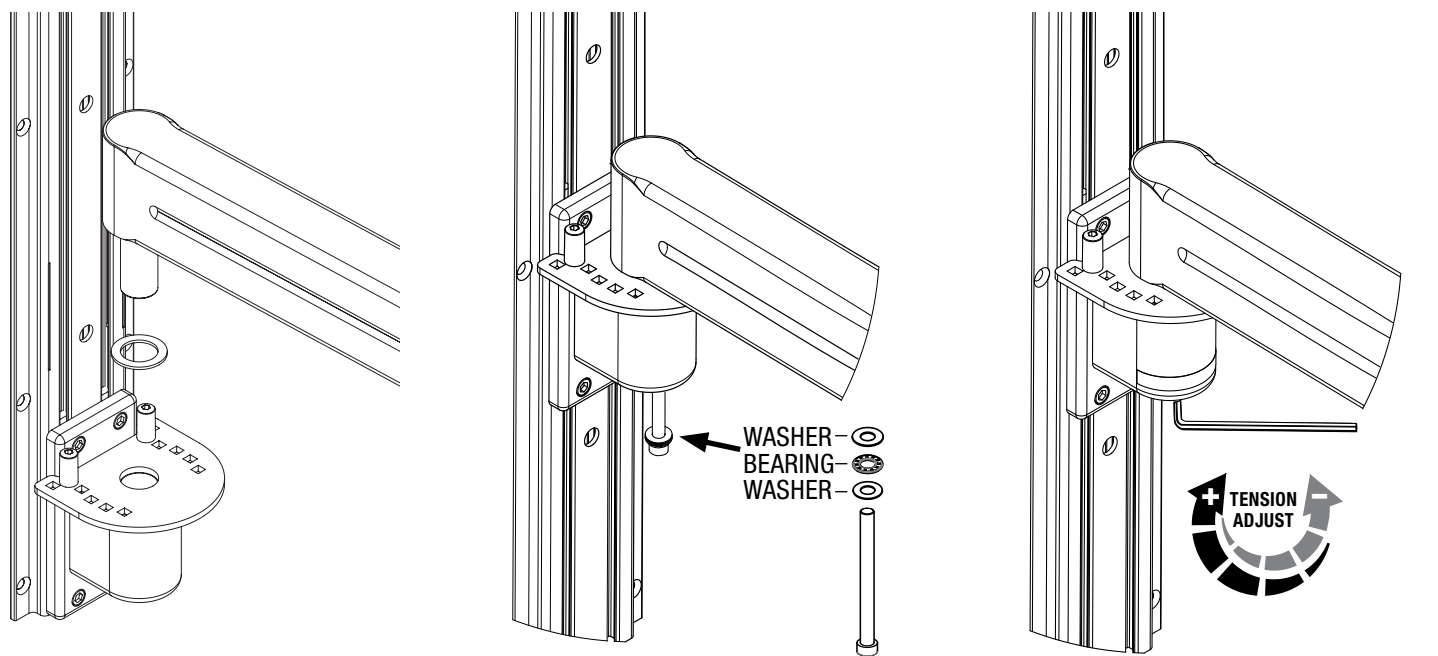


OPTIONAL EXTENSION ARM INSTALLATION WITH PIVOT LIMITER

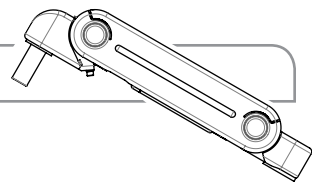
Installation direct to Wall Ear. These are optional items and not included in all configurations.

For further information please contact your distributor.

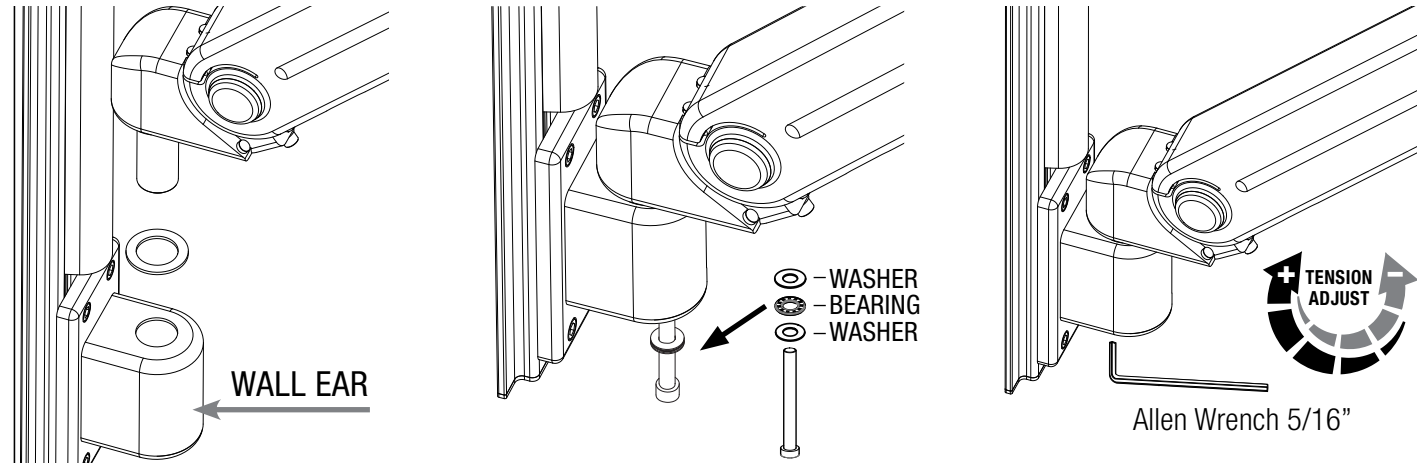
- Install optional arm to pivot limiter first before height adjustable arm.



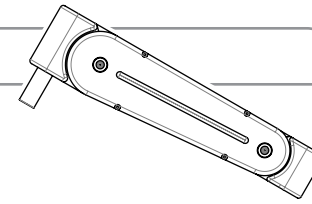
MAIN ARM INSTALLATION - Light Duty Arms



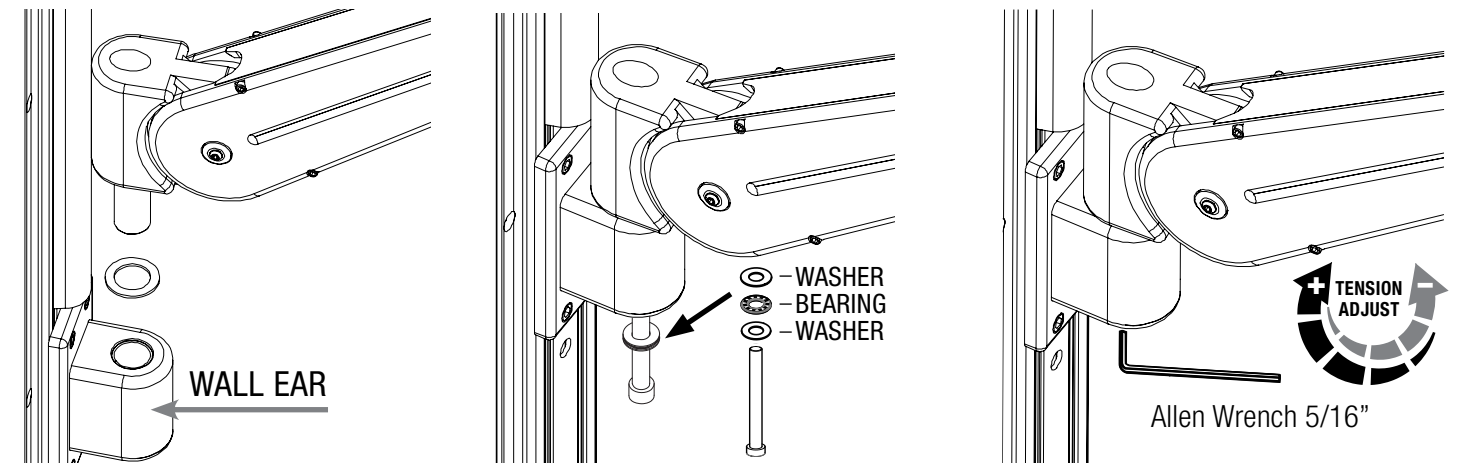
INSTALLATION DIRECT TO WALL EAR



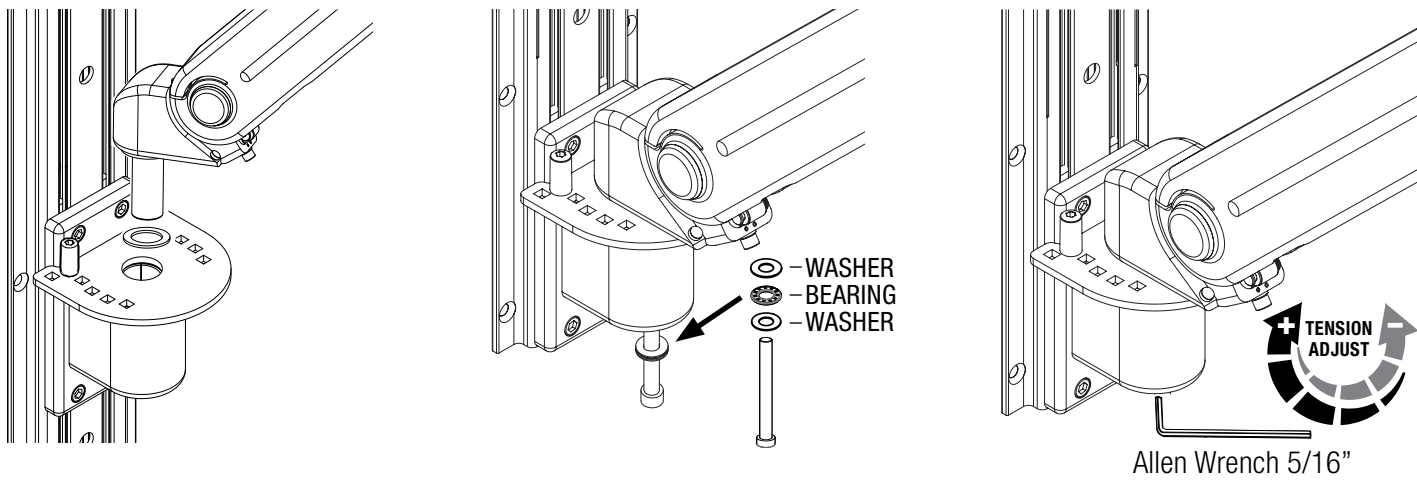
MAIN ARM INSTALLATION - Heavy Duty Arms



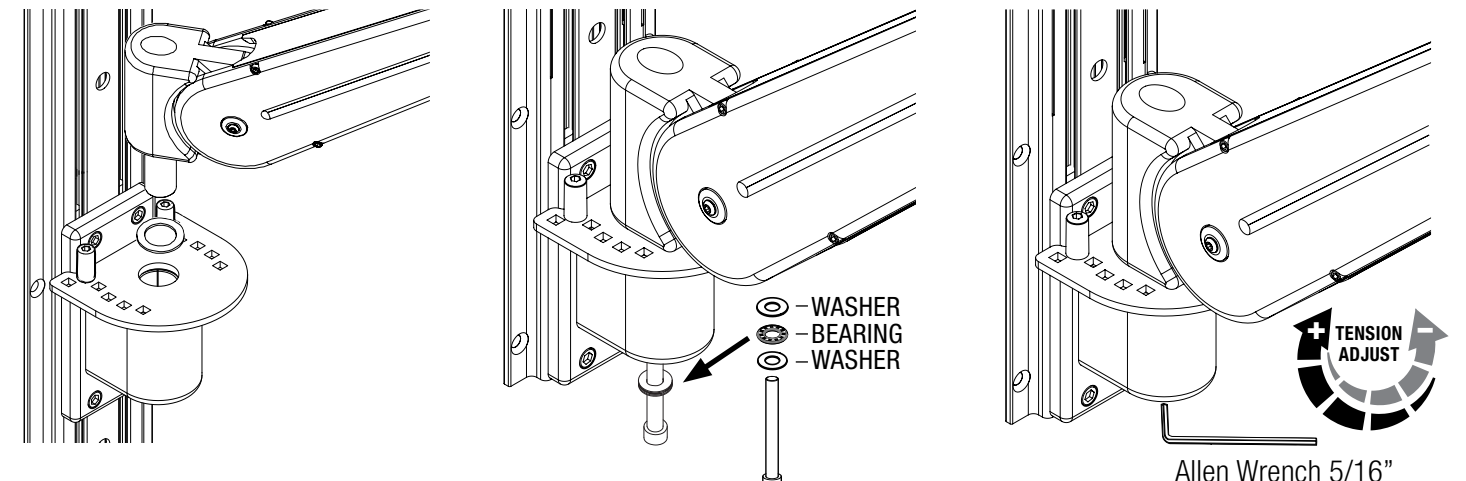
INSTALLATION DIRECT TO WALL EAR



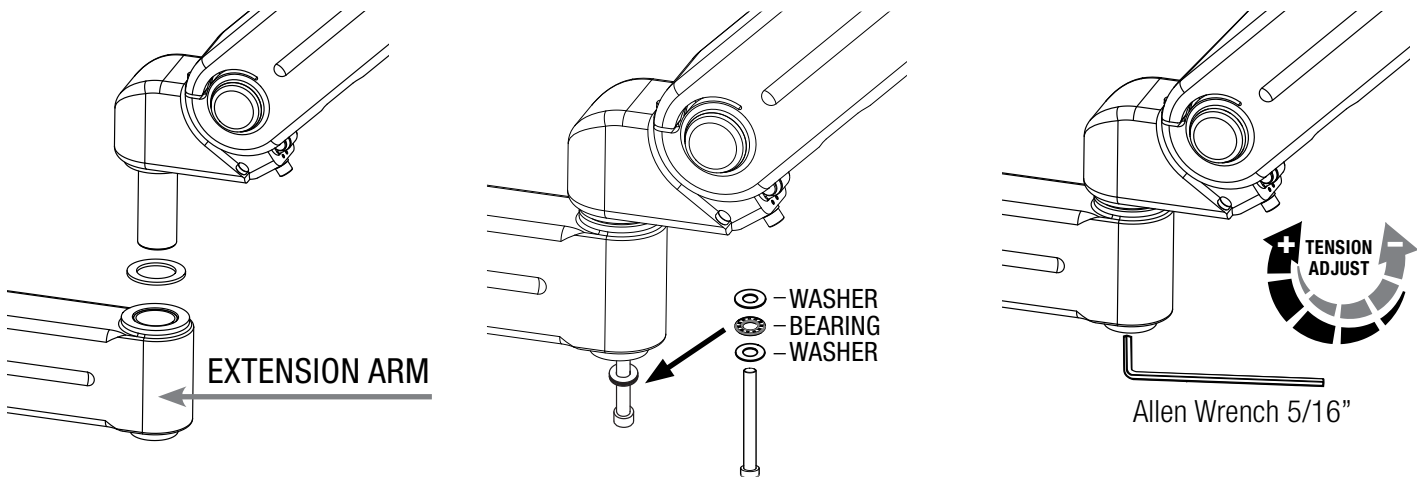
INSTALLATION WITH PIVOT LIMITER



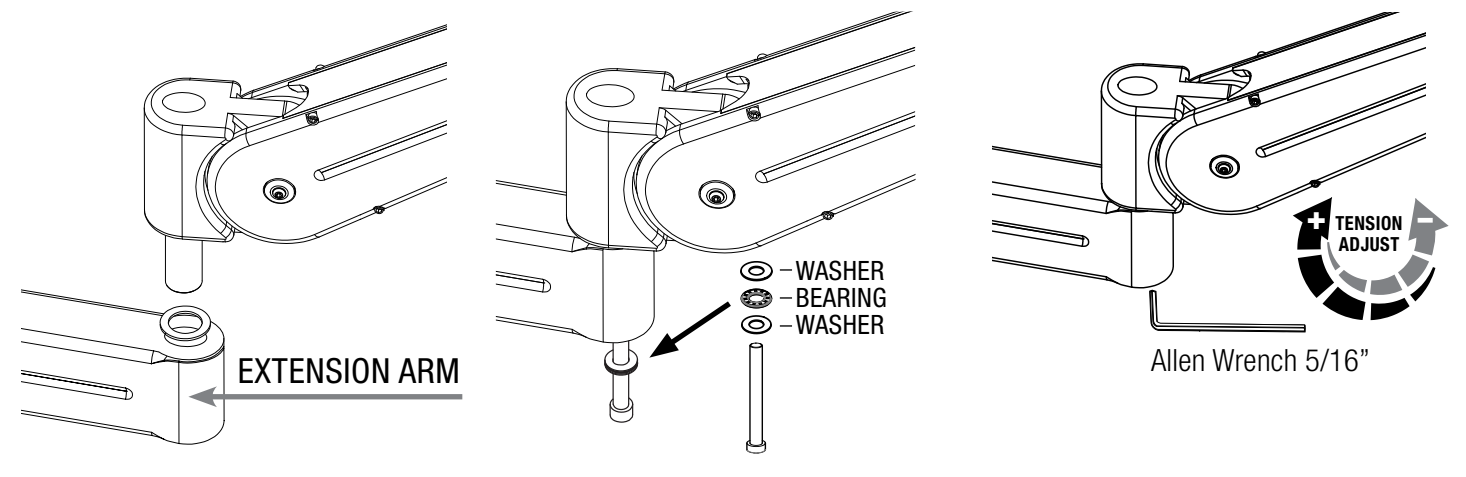
INSTALLATION WITH PIVOT LIMITER



INSTALLATION WITH EXTENSION ARM

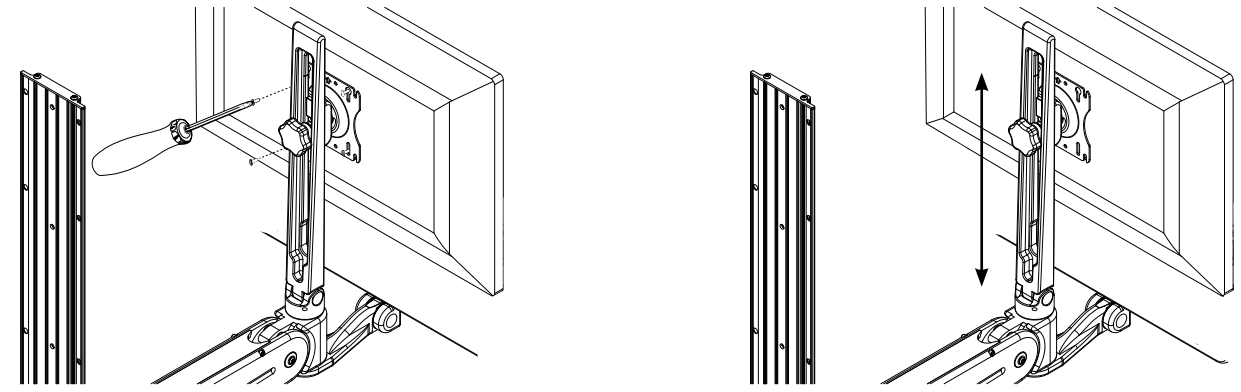


INSTALLATION WITH EXTENSION ARM

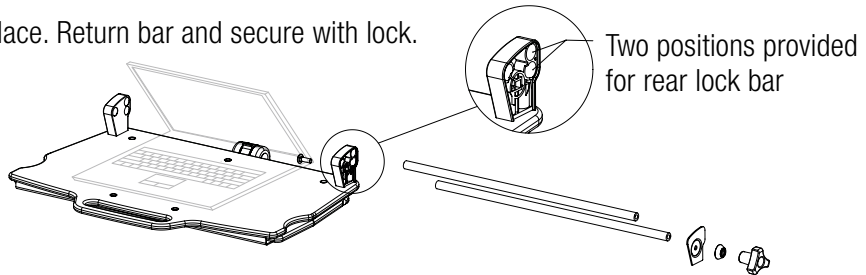


MONITOR OR LAPTOP INSTALLATION

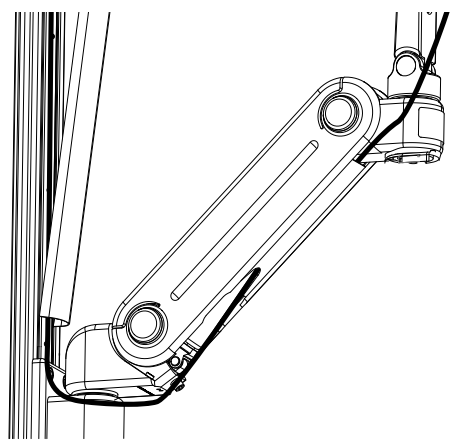
There are two different lengths of screws provided to attach the monitor to the VESA plate. Do not overtighten mounting screws.



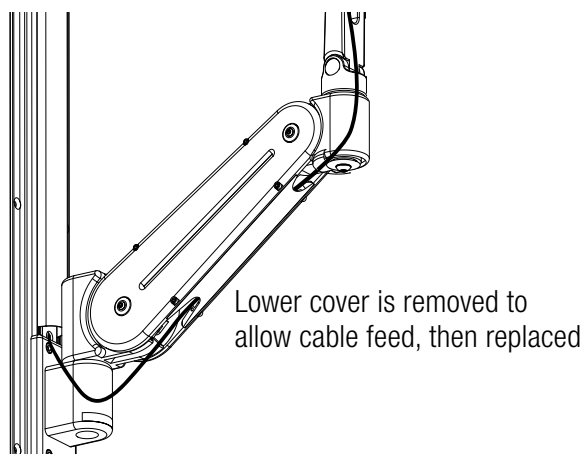
Pull bar back, put laptop in place. Return bar and secure with lock. Use knob to secure lock nut.



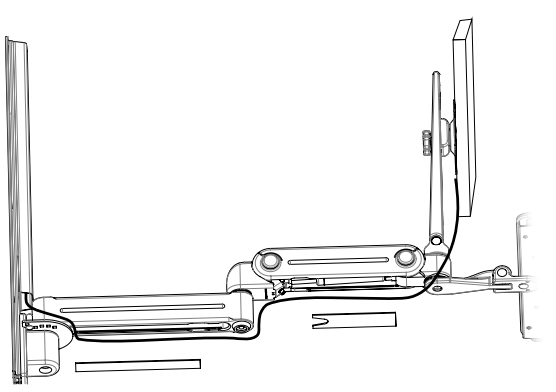
CABLE MANAGEMENT - Light Duty Arm



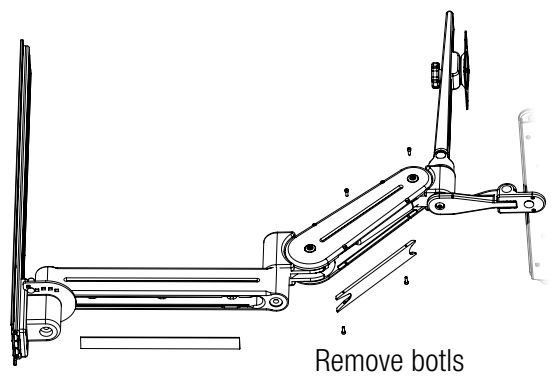
CABLE MANAGEMENT - Heavy Duty Arm



OPTIONAL EXTENSION ARM - Light Duty Arm



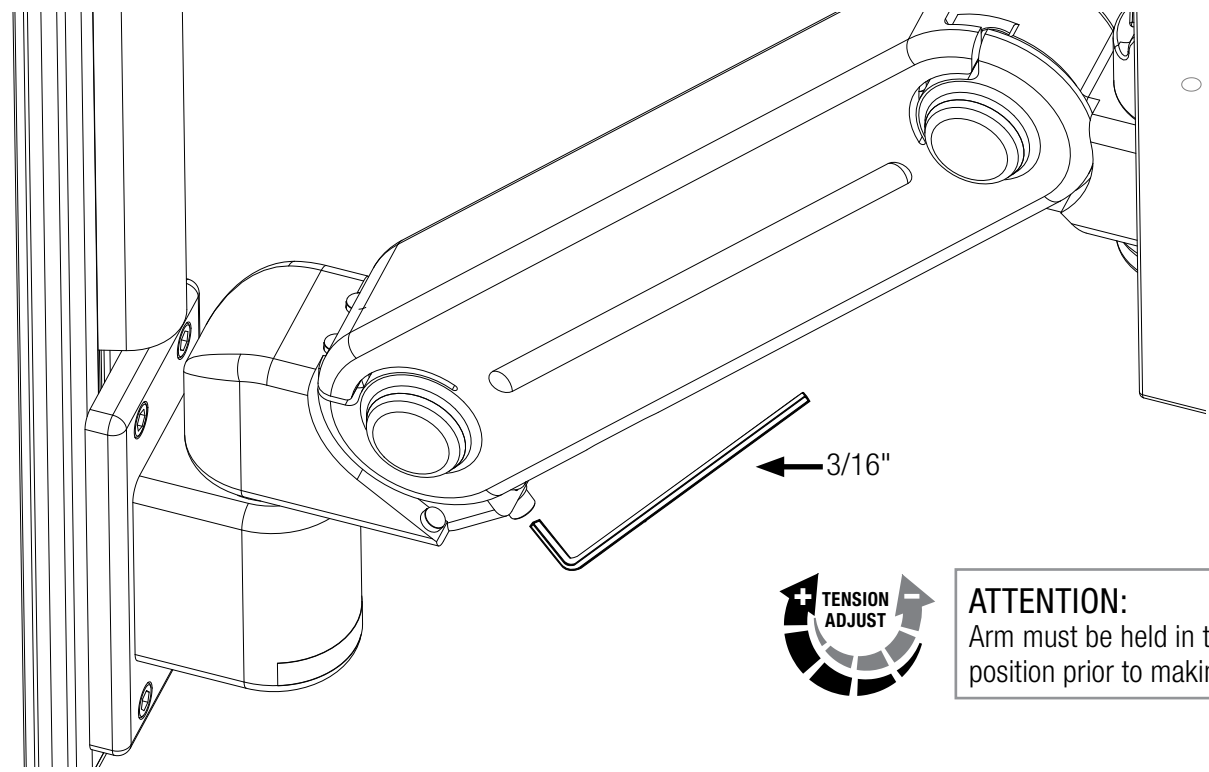
OPTIONAL EXTENSION ARM - Heavy Duty Arm



COUNTER BALANCING THE ARM

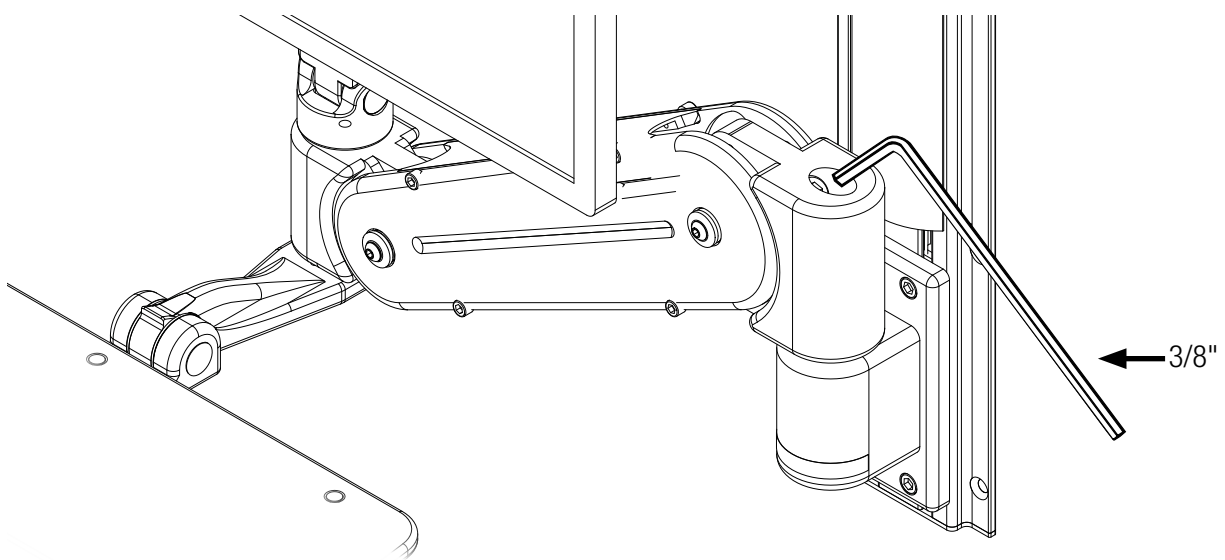
Once all after sale technology is installed perform the following adjustments to ensure the arm raises and lowers as required and does not freely drift up or droop down.

LIGHT DUTY ARM



ATTENTION:
Arm must be held in the upright position prior to making adjustments.

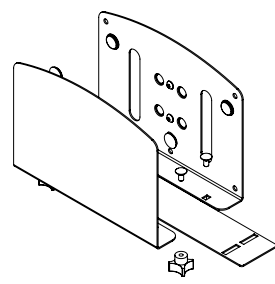
HEAVY DUTY ARM



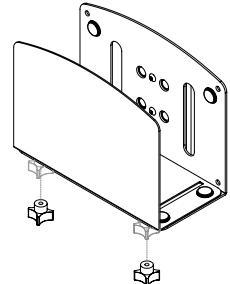
ATTENTION:
Arm must be held in the downward position prior to making adjustments.

ACCESSORY TRACK MOUNT INSTALLATION

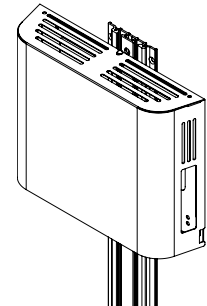
These are optional items and not included in all configurations.



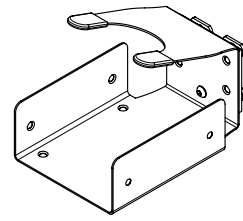
SMALL FORM
FACTOR CPU



LARGE FORM
FACTOR CPU



ENCLOSED CPU

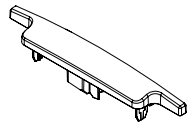


SCANNER MOUNT

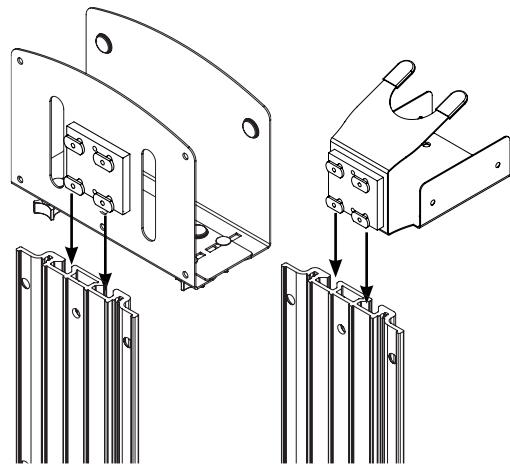
All track mount accessories may be installed directly to wall structures by following mounting surface directions on page 6 and 7. Use the 4 outer most holes and appropriate hardware (not included).

HOW TO INSTALL ONTO THE TRACK

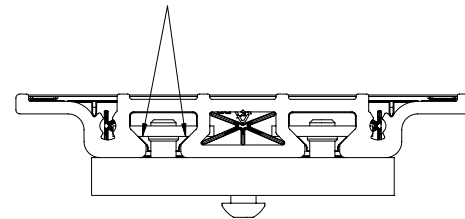
Remove the end cap at one end of the track slider.



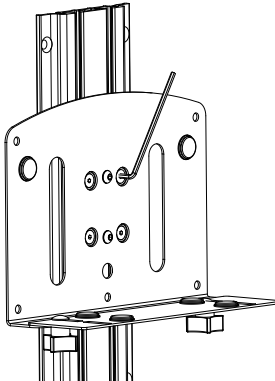
Slide the CPU or Scanner carriage onto the track.



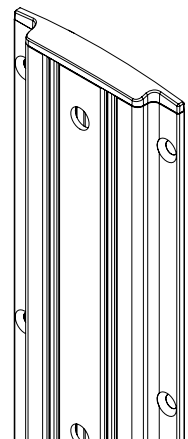
T-Nuts must engage edge of track. Tighten fully and test the CPU Holder remains in place prior to installing any technology.



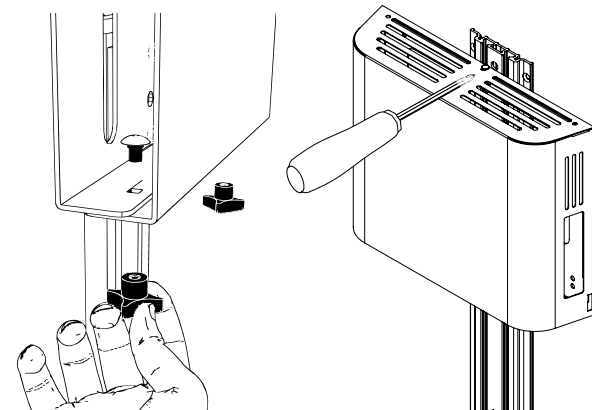
Some disassembly may be required to access mounting bolts.



Replace the end cap.

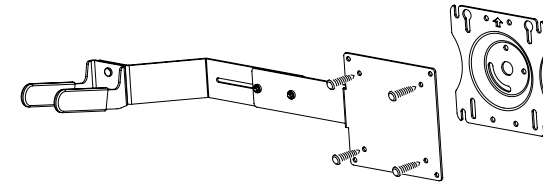


Assemble and secure all components.

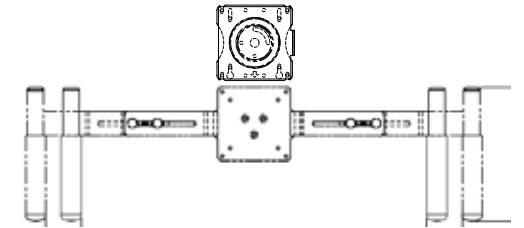


ACCESSORY VESA MOUNT INSTALLATION

These are optional items and not included in all configurations.



VESA SCANNER MOUNT

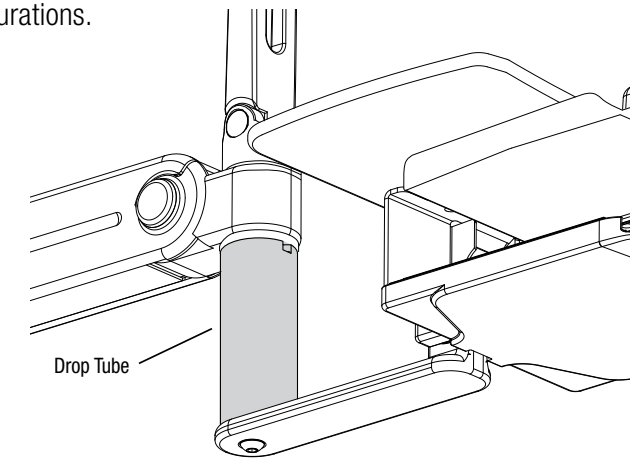
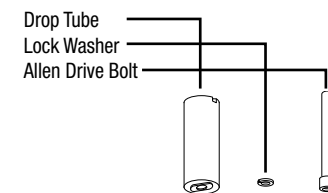


GRAB HANDLE VESA MOUNT

ACCESSORY DROP KIT INSTALLATION

These are optional items and not included in all configurations.

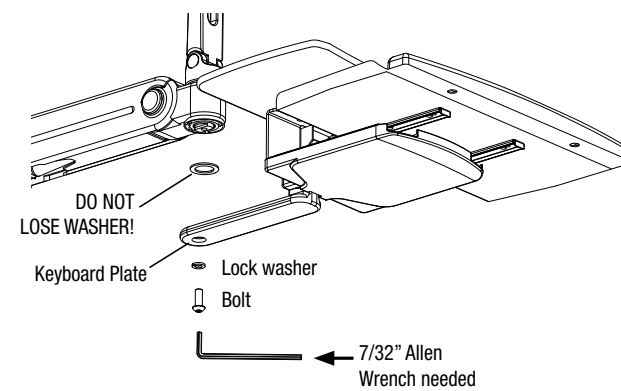
COMES WITH:



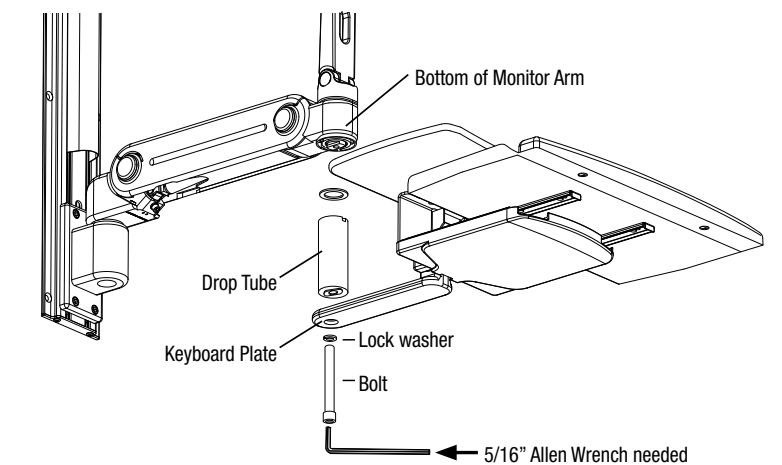
Loosen and remove bolt and lock washer from keyboard platform assembly.

NOTE: Firmly hold on to keyboard platform assembly while removing bolt from keyboard plate.

Disassemble



Assemble

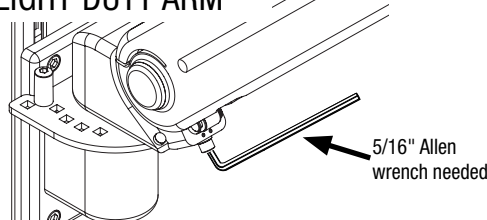


ADJUSTMENT GUIDE

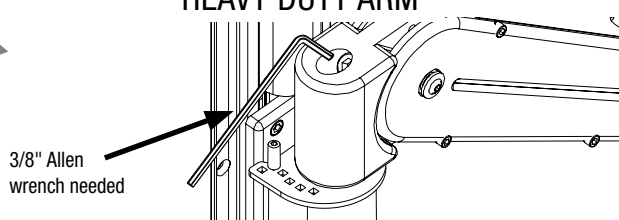
ARM ADJUSTMENT - Counterbalance

Once all after sale technology is installed perform the following adjustments to ensure the arm raises and lowers as required and does not freely drift up or droop down.

LIGHT DUTY ARM

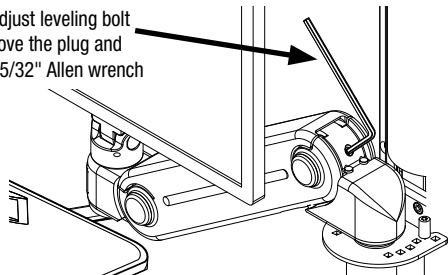


HEAVY DUTY ARM



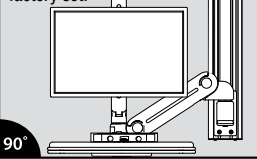
ARM ADJUSTMENT - Leveling (Left to Right)

To adjust leveling bolt remove the plug and use 5/32" Allen wrench

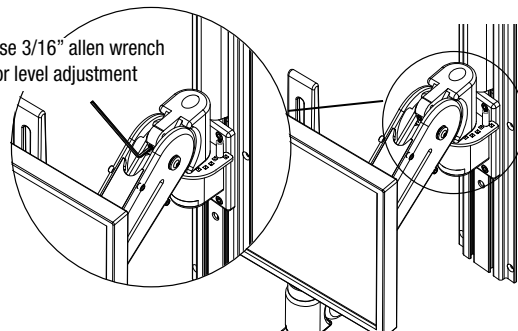


ATTENTION:

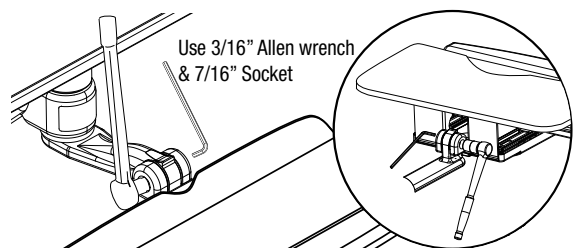
Arm must be in the lowest position and swiveled 90° to the track when adjusted.
NOTE: The level has been factory set.



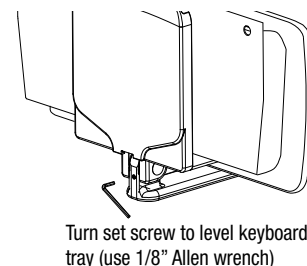
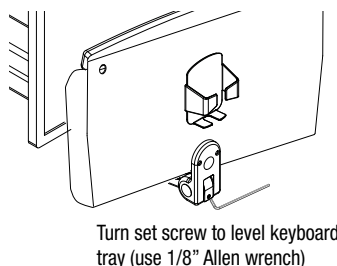
Use 3/16" allen wrench for level adjustment



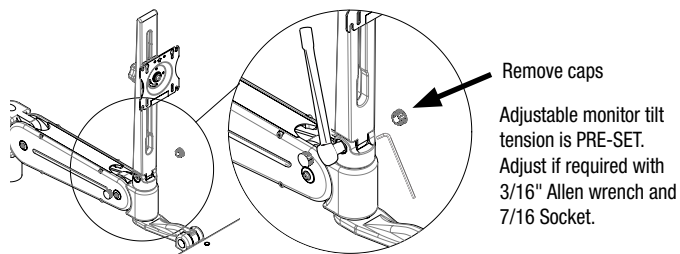
TENSION FOR WORKSTATION/KEYBOARD FLIP



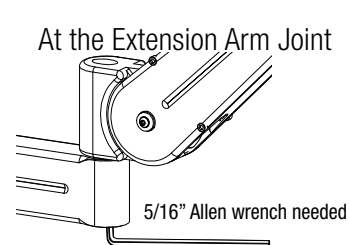
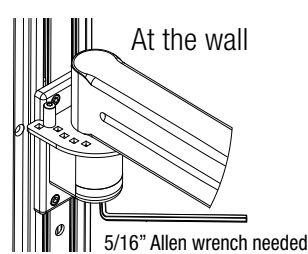
ADJUST KEYBOARD TRAY ANGLE



TENSION ADJUSTMENT - Monitor Tilt



TENSION ADJUSTMENT - Left to Right Movement



RECOMMENDED FIELD ADJUSTMENT:

If any resistance is felt in positioning the workstation from the left to the right please make the following adjustment.

1. Loosen the bolt located under the workstation/keyboard tray
2. Re-align the pivot pin installed on the keyboard plate with the slot on the underside of the LCD mounting system. This may be achieved by simply moving the two joining components slightly forward or back.
3. Tighten the bolt and washers in the appropriate position. Tighten until desired friction is achieved. Do not over tighten.

