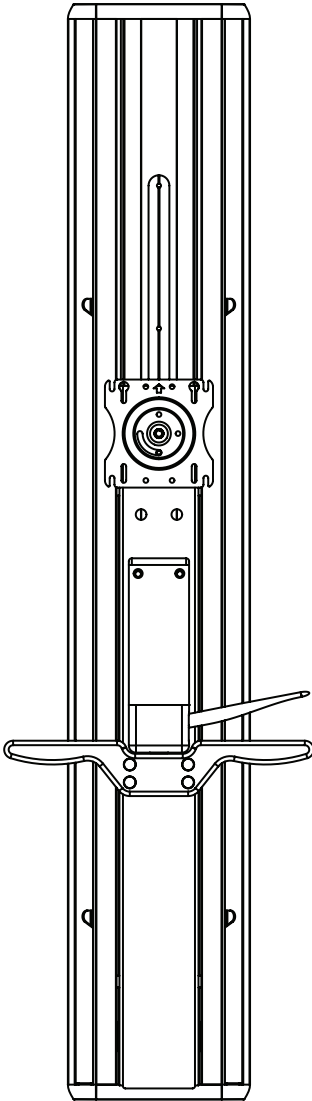
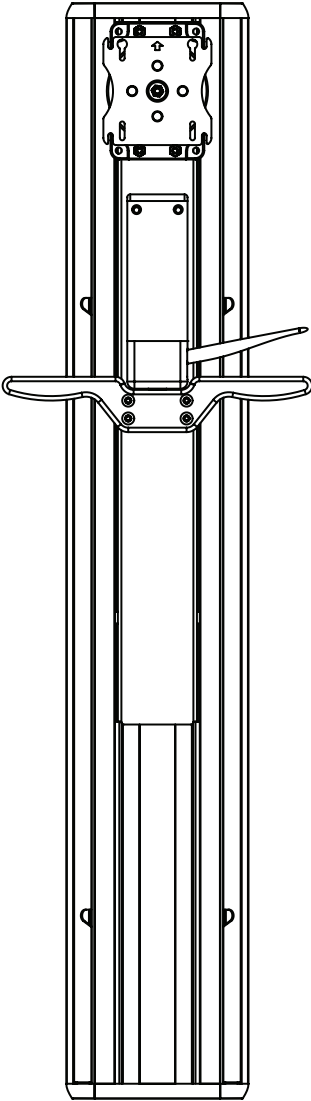
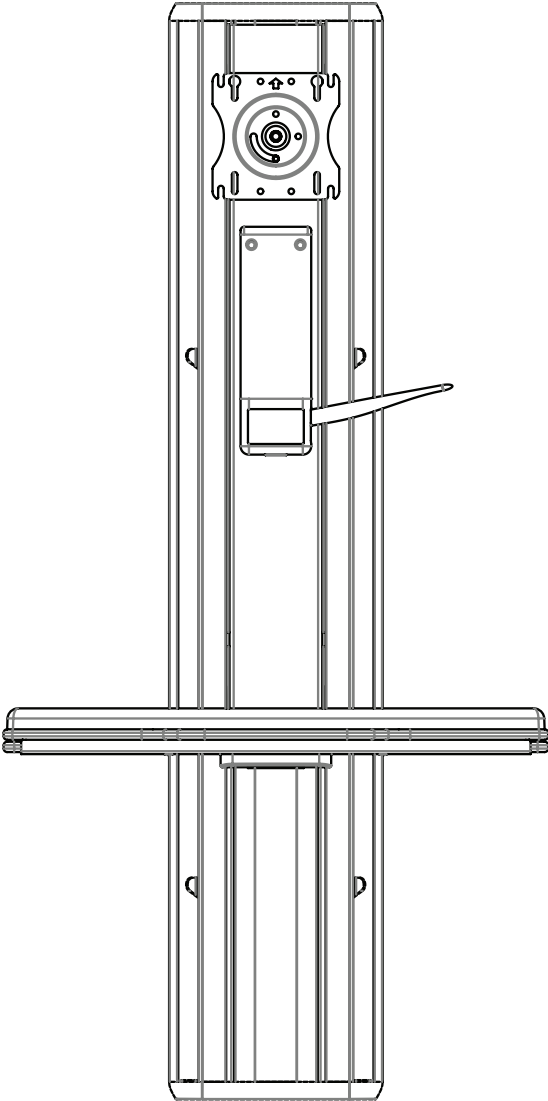
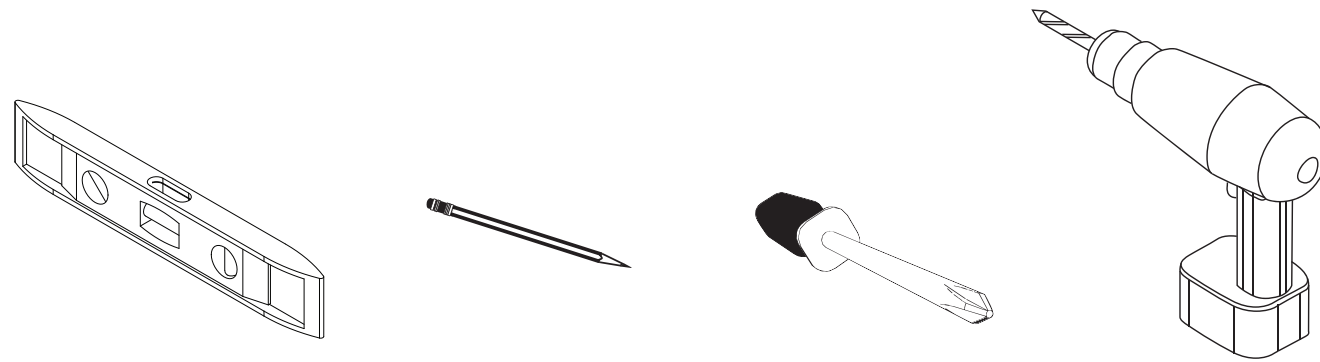


# INSTALLATION MANUAL FOR FLUSH WALL MOUNT SYSTEMS

---



## TOOLS REQUIRED



Drill Bit: 1/8" and 1/2"

### INSTALLATION WARNINGS:

- Read the entire instruction manual before beginning any installation or assembly.
- The installer must verify that the entire wall safely supports the combined weight of all the attached equipment and hardware.
- Improper installation of this product may cause extensive property damage or serious personal injury, either during or after installation.

### DISCLAIMER:

- The manufacturer and/or distributor will bear no responsibility for any damages of any kind arising from any improper installation of this product.
- Because wall construction varies widely and the ultimate method of mounting/installing is out of the manufacturers or distributors control, it is imperative that the installer consult with local engineering, architectural, or construction personnel to ensure the wall is constructed properly to code and will handle the applied load.
- Through improper installation or excessive applied load the monitor and mount can be pulled out of the wall by force, taking with it a large section of drywall. In no way will the manufacturer or distributor be held liable for any damage to the monitor, property or personal injury should an outside force either intentionally or unintentional be applied to the monitor or monitor mounting bracket causing it to pull off the wall.

### SAFETY WARNING:

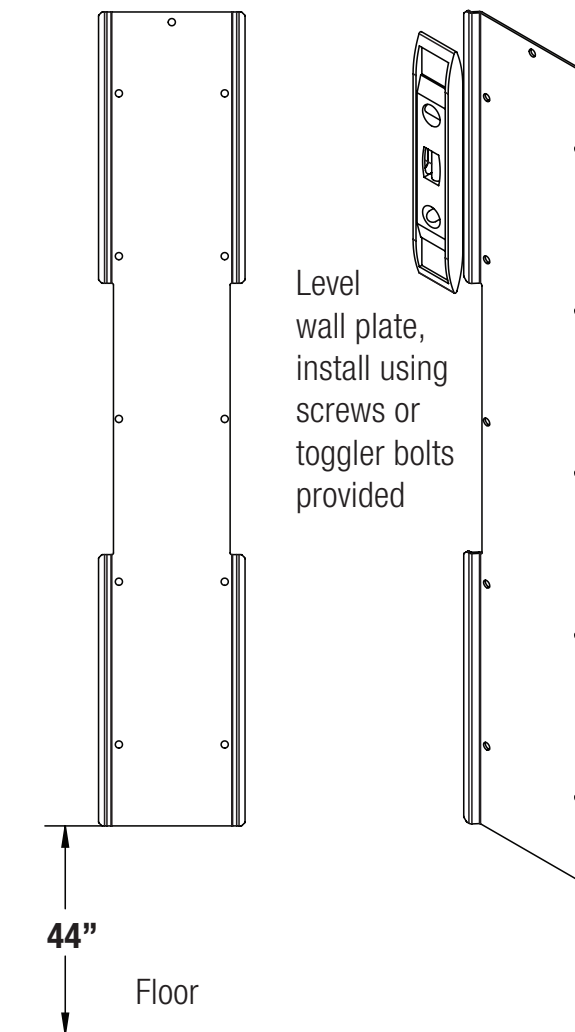
- California installations may require specific anchorage and additional supports. Check with local authorities for codes in your area. Other seismic states will have similar regulations.
- Prior to drilling verify the location of any electrical wiring with in the wall. An electrical short can kill or create serious injury and fire hazard both during and after installation.

### ADJUSTMENT NOTIFICATION:

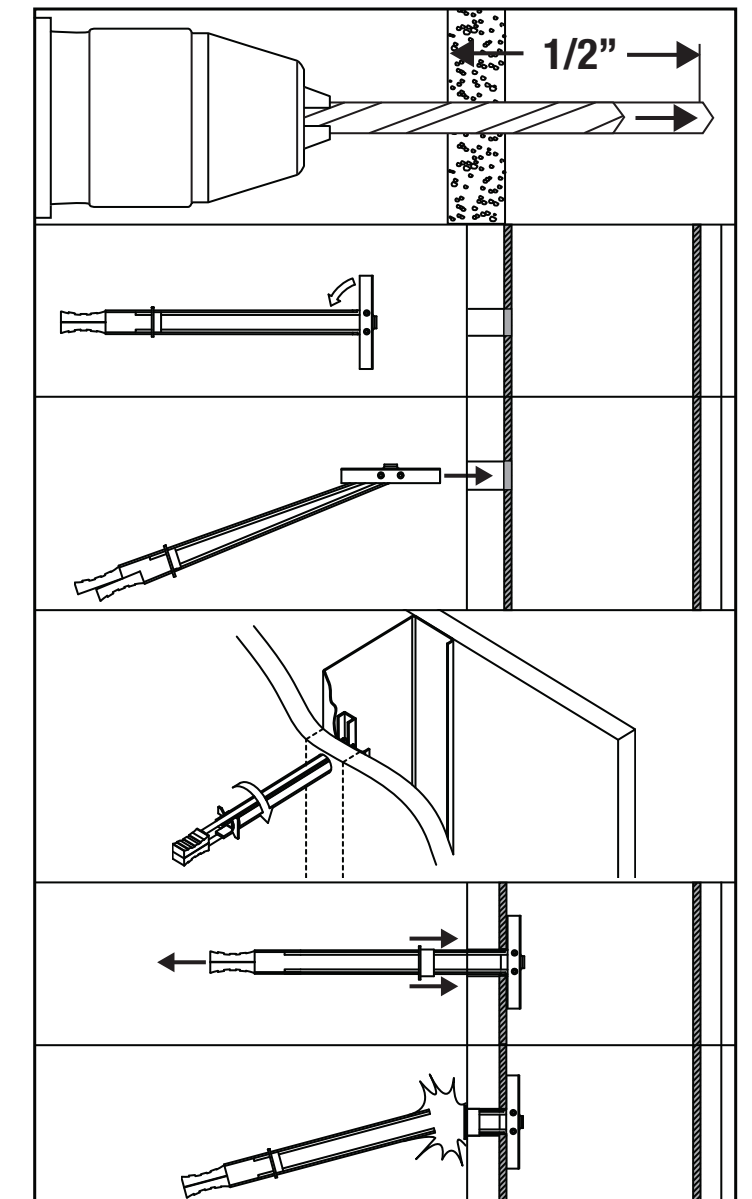
- Routine maintenance checks and adjustments are suggested to properly support the quality and optimal performance of this product.
- Over tightening of bolts during installation or adjustments may cause damage to the product ultimately affecting the function.

## WALL TRACK INSTALLATION

We recommend installing the wall plate at the following height which comfortably accommodates the majority of users.



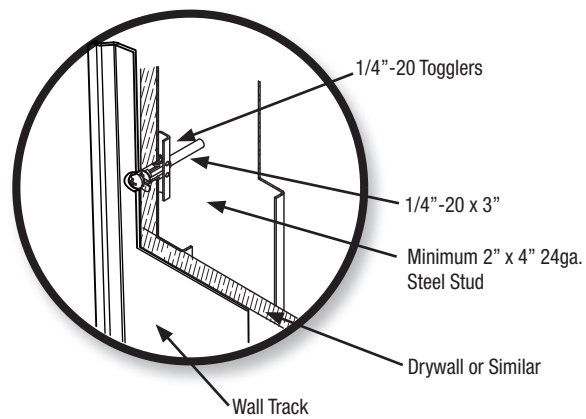
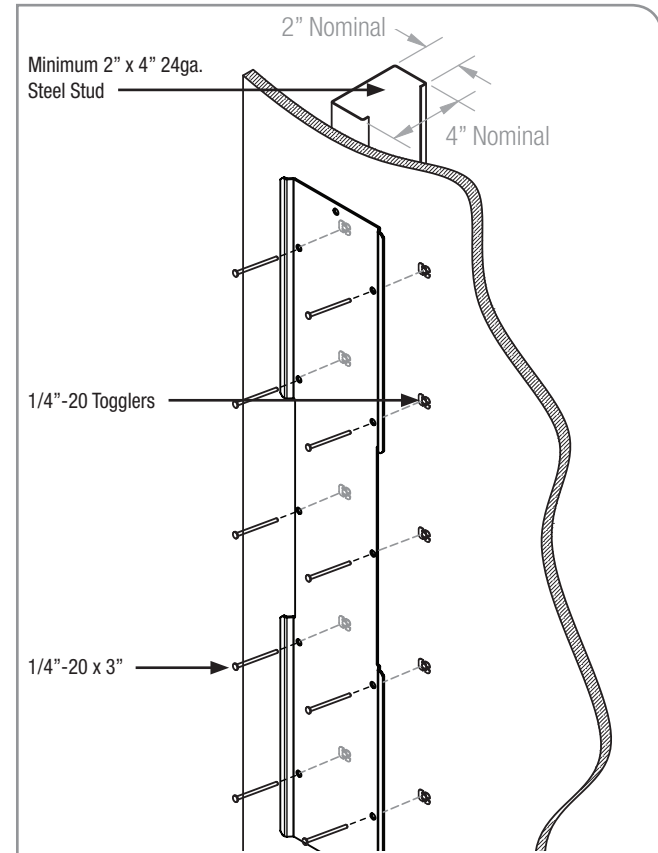
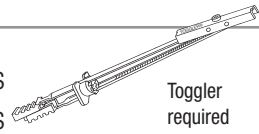
Install Toggler Bolts



# MOUNTING SURFACE

## STEEL STUD

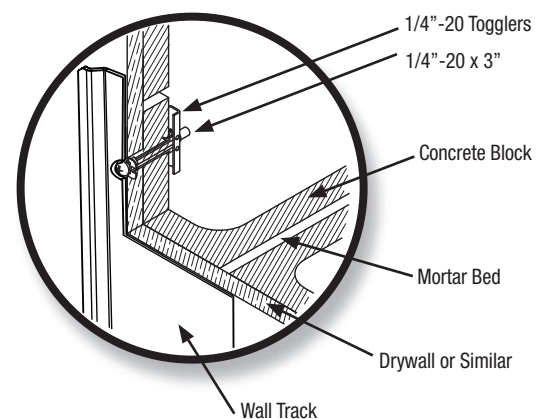
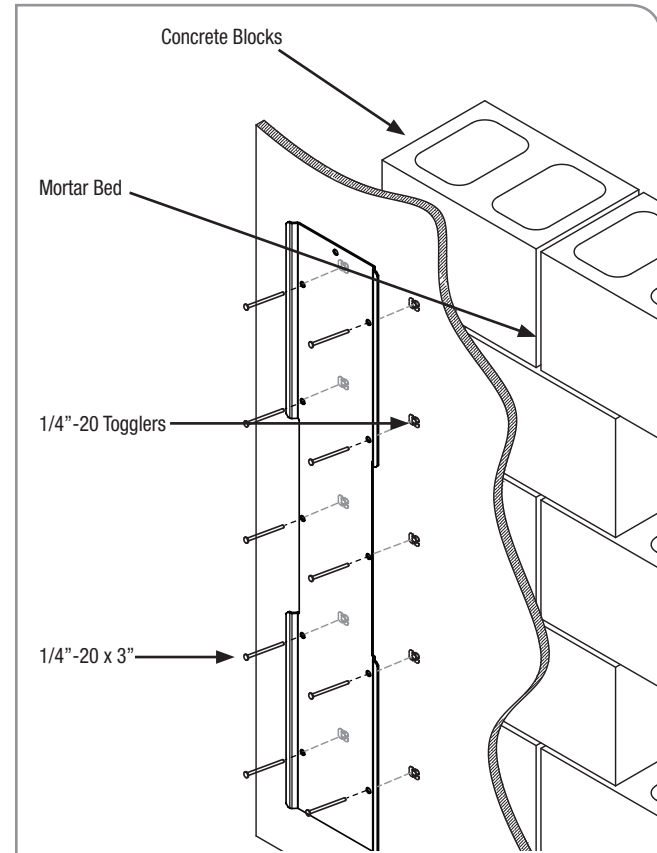
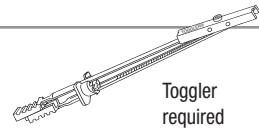
32" TRACK - 5 inner holes  
48" TRACK - 4 inner holes



**NOTE:** Bolts are to be placed in the horizontal center of the 2" x 4" Steel Stud.

## CONCRETE BLOCK

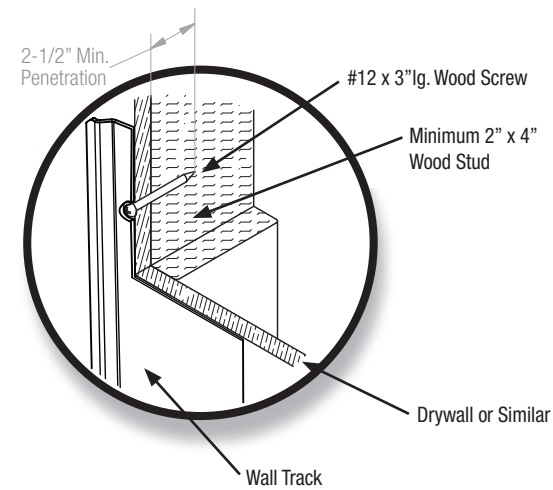
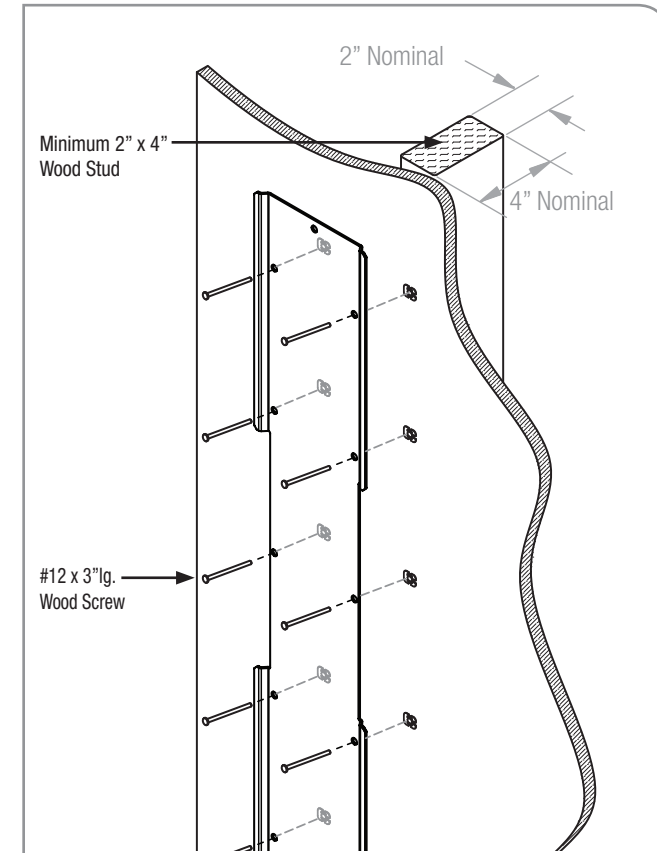
32" TRACK - 5 inner holes  
48" TRACK - 4 inner holes



**NOTE:** Bolts must pass through concrete block. Bolts must not pass through mortar bed between blocks nor through the web within the blocks. When attaching to concrete blocks, only one bolt per cell allowed.

## WOOD STUD

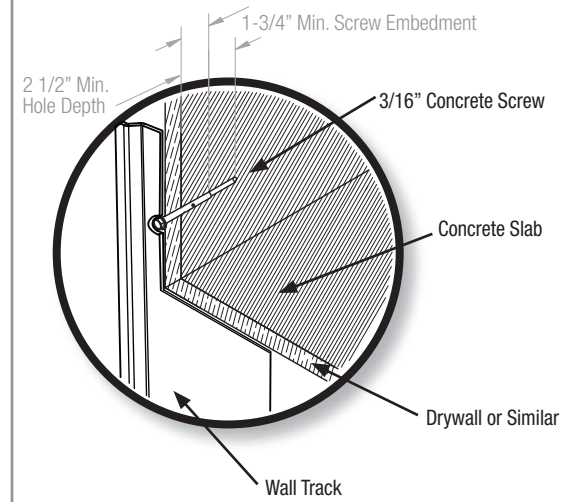
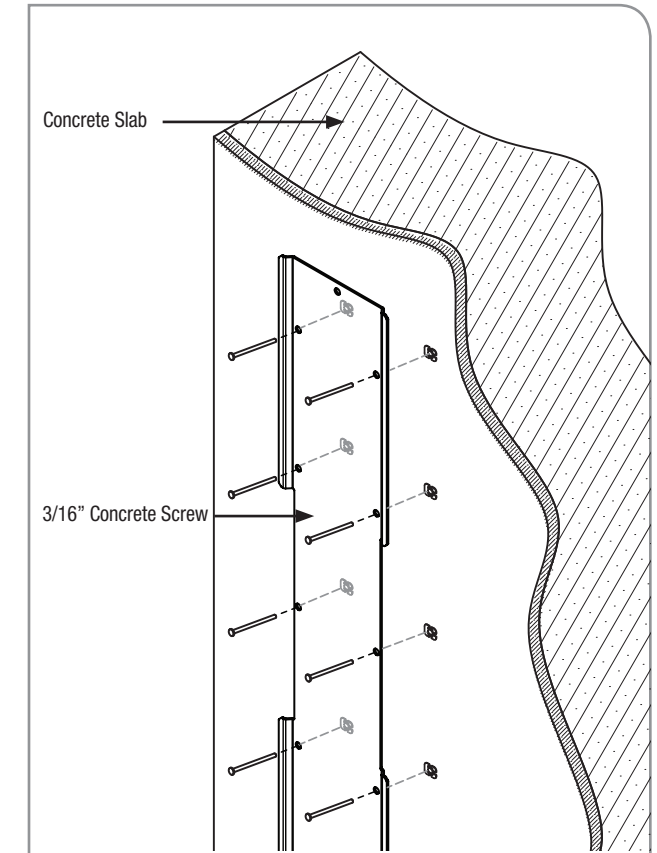
32" TRACK - 5 inner holes  
48" TRACK - 4 inner holes



**NOTE:** Screws are to be placed in the horizontal center and must penetrate at least 2-1/2" into the wood stud.

## CONCRETE WALL (solid)

32" TRACK - 5 inner holes  
48" TRACK - 4 inner holes

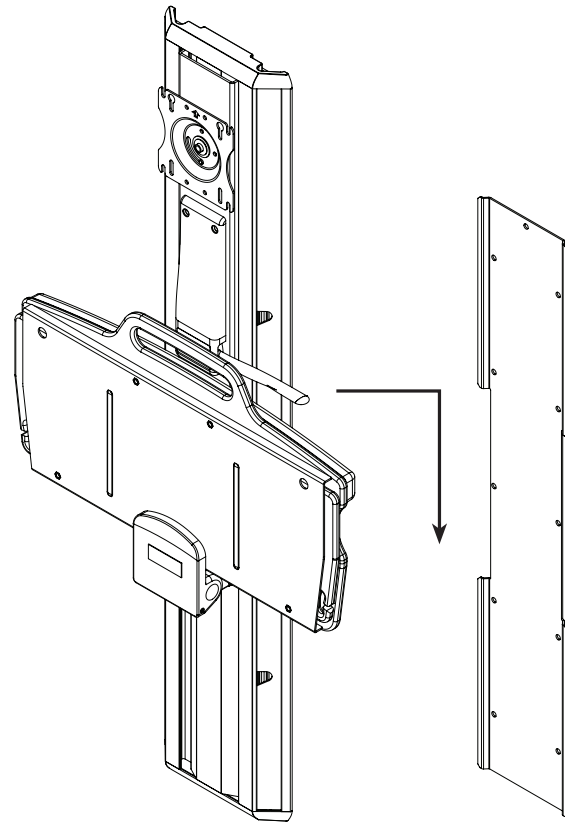


3/16" x 2-1/4" lg. Min. Tapcon® Concrete Screws to pass through the Wall Track and into Ø.1902" pre drilled holes.

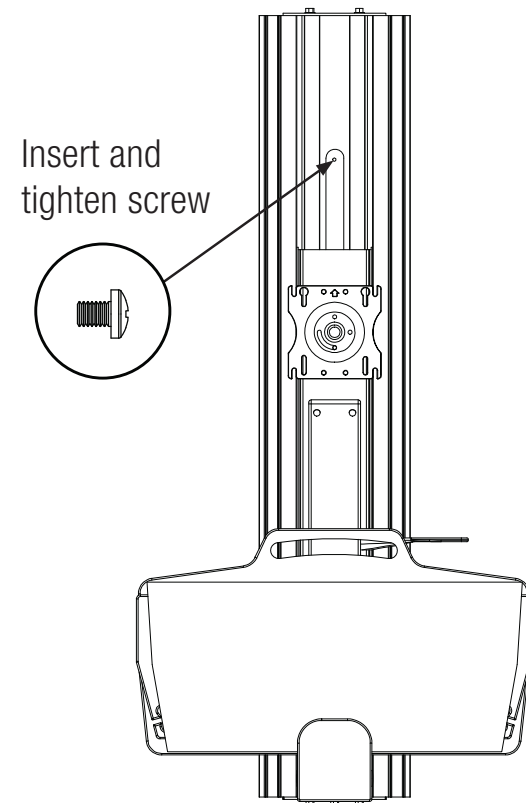
**NOTE:** Pre drilled holes to be created using Tapcon® drill bit for 3/16"x2-1/4"lg. concrete screws to a Min. hole depth of 2-1/2" into concrete slab.

## FUSION MOUNT INSTALLATION

Align the Fusion mount over the track, then slide it down the wall plate until the Fusion stops sliding

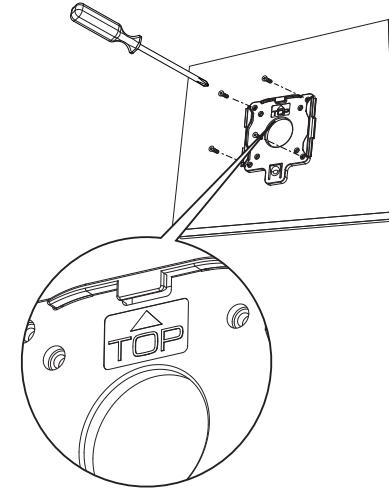


Secure the Fusion mount to the wall plate with the screw provided

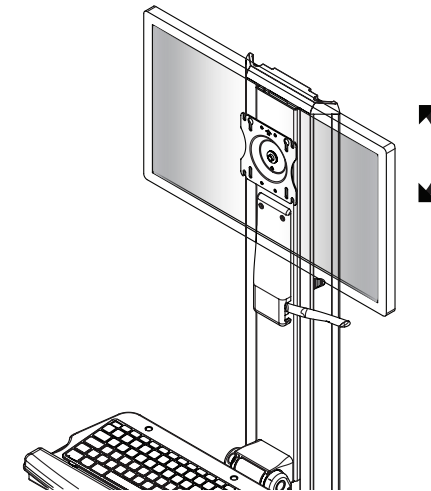


## MONITOR INSTALLATION

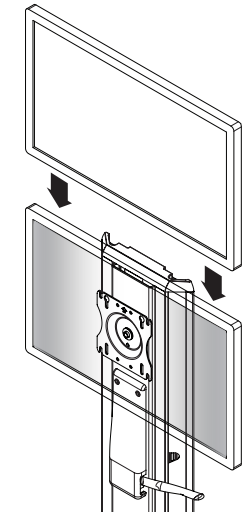
Attach the quick connect bracket to the back of the monitor with the screws provided



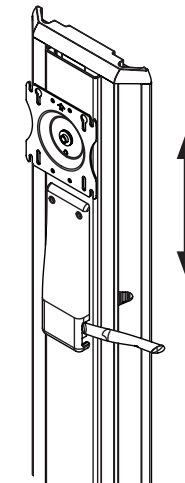
Monitor mount allows for 90° vesa rotation



Slide the monitor onto the vesa plate until the quick connect snaps into place

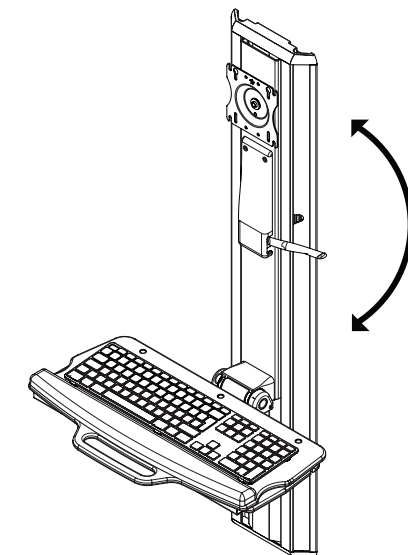
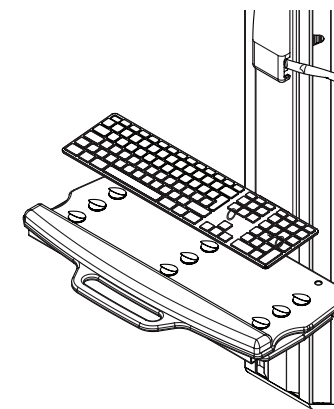


Actuate lever for height adjustment



## KEYBOARD INSTALLATION

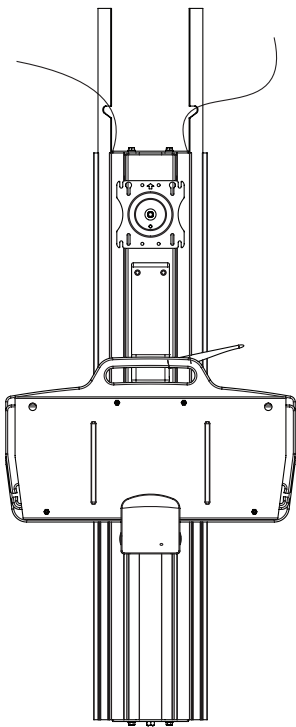
For keyboard tray version install at this stage



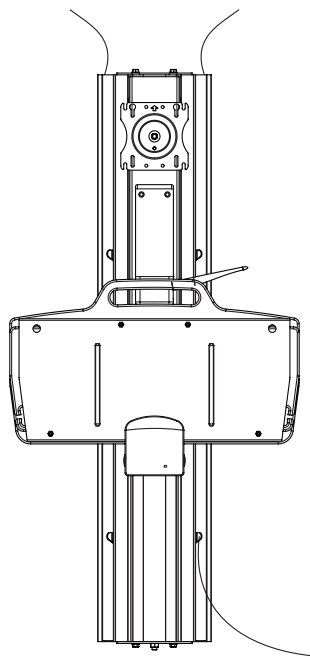
## CABLE MANAGEMENT

Use the provided cable management wrap to bundle the wires.

Cables can exit the top or the bottom of the Fusion mount



Holding the wires behind the cable management cover, slide the cables into the slot leaving approximately 13–15" of slack (for optimal height adjustment)



Attach the plastic end caps to the top and bottom of the Fusion mount with the screws provided

