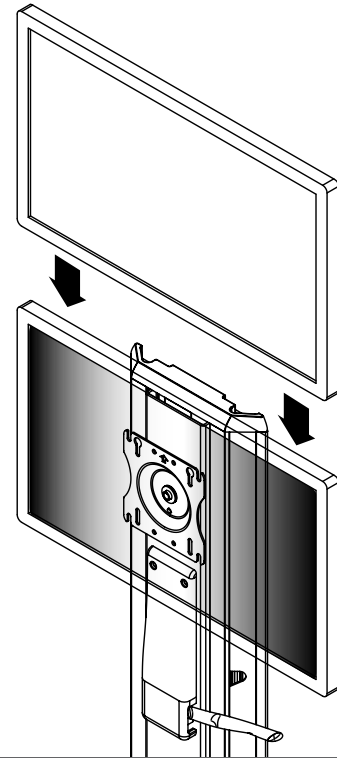


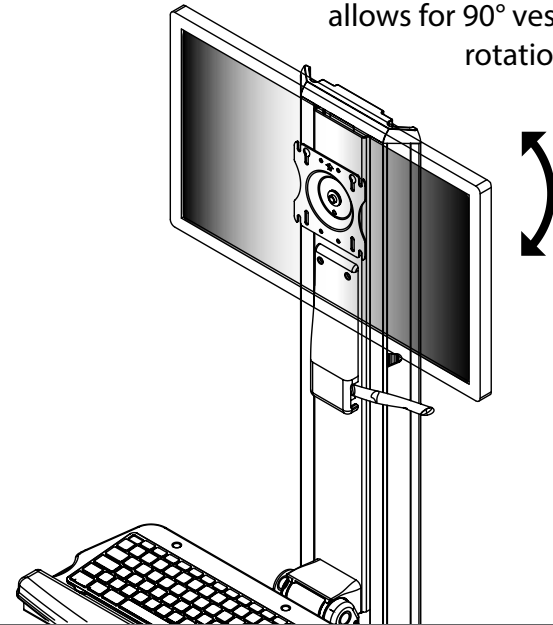
STEP 4

- 4.1** Slide the monitor onto the vesa plate until the quick connect snaps into place

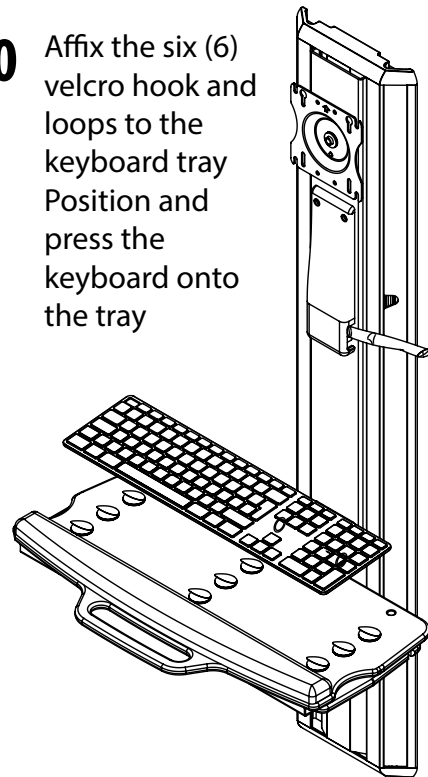


4.2

Monitor mount allows for 90° vesa rotation

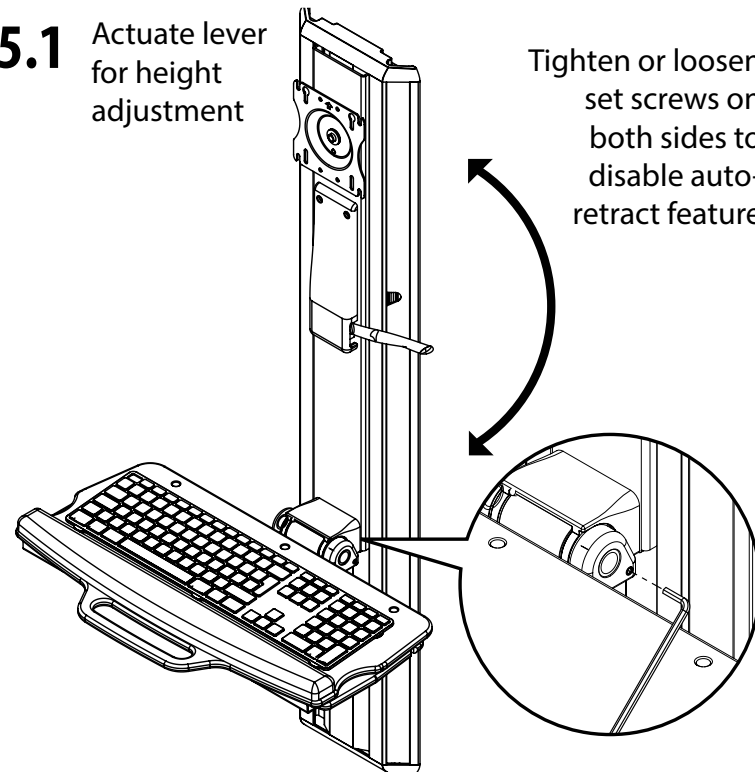


- 5.0** Affix the six (6) velcro hook and loops to the keyboard tray Position and press the keyboard onto the tray



- 5.1** Actuate lever for height adjustment

Tighten or loosen set screws on both sides to disable auto-retract feature



INSTALLATION INSTRUCTIONS FOR FLUSH WALL MOUNT WORK CENTER



INSTALLATION WARNINGS: Read the entire instruction sheet before you begin installation or assembly. Installer must verify that the wall will safely support the combined weight of all the attached equipment and hardware. Improper installation of this product can cause extensive property damage or serious personal injury, either during or after the installation. It is the responsibility of the installer to ensure that all applications including wood, concrete, block, brick, steel, etc. are secured properly to code. California installations could require specific anchorage, and additional mounting screws. Check with local authorities for codes in your area. Other seismic states have similar regulations.

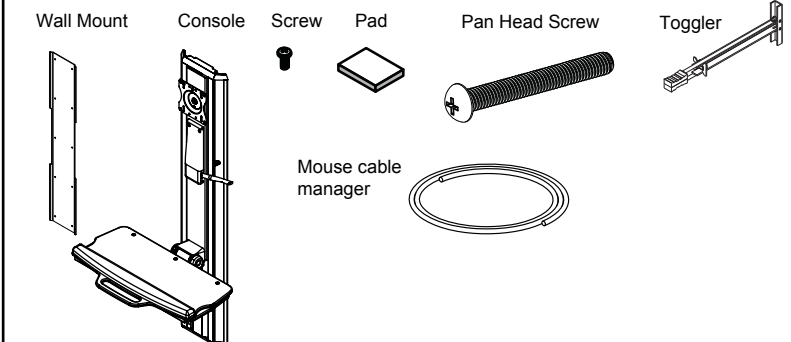
Warning: Max load 20 lbs of applied equipment including but not limited to: LCD, keyboard, mouse, cabling and peripherals.

DISCLAIMER: The Manufacturer and/or Distributor will bear no responsibility for any damages of any kind arising from any improper installation of this product. Because wall construction varies widely and the ultimate method of mounting is out of the Manufacturers or Distributors control, it is imperative that the installer consult with local engineering, architectural, or construction personal to ensure the wall is constructed properly and to code to handle the applied load.

TOOLS REQUIRED



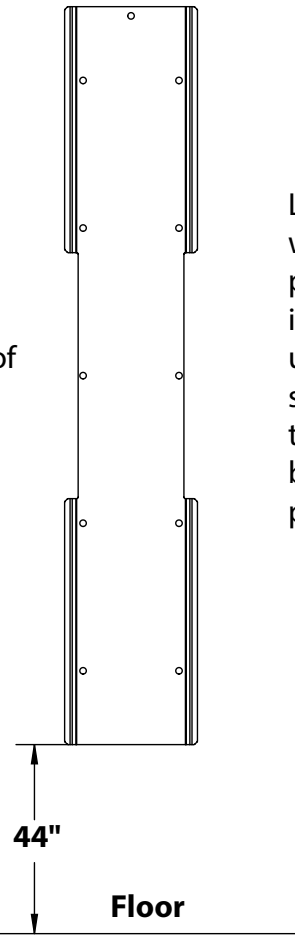
PARTS IN A BOX



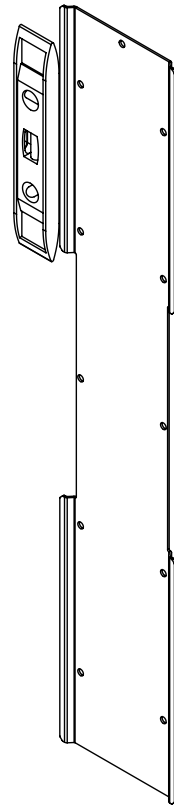
STEP 1

1.0

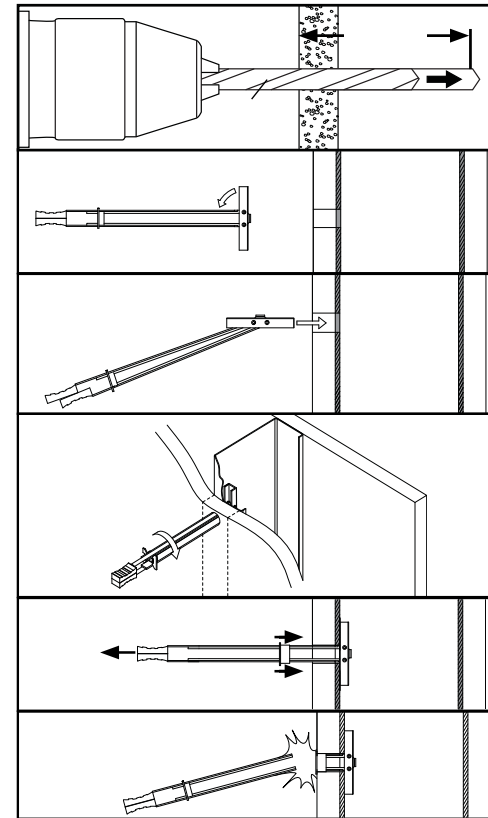
Measure 44" from the floor to the bottom of the wall plate



Level wall plate, install using screws or toggler bolts provided

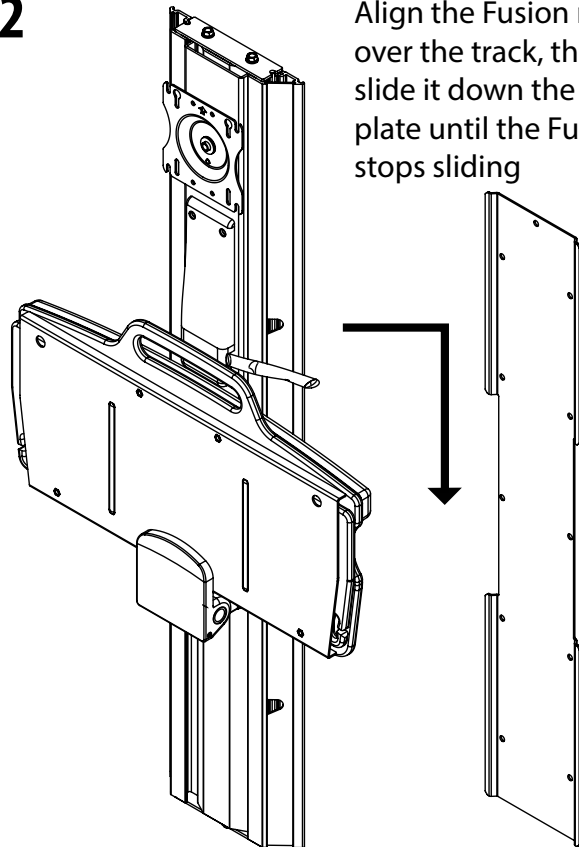


1.1



1.2

Align the Fusion mount over the track, then slide it down the wall plate until the Fusion stops sliding

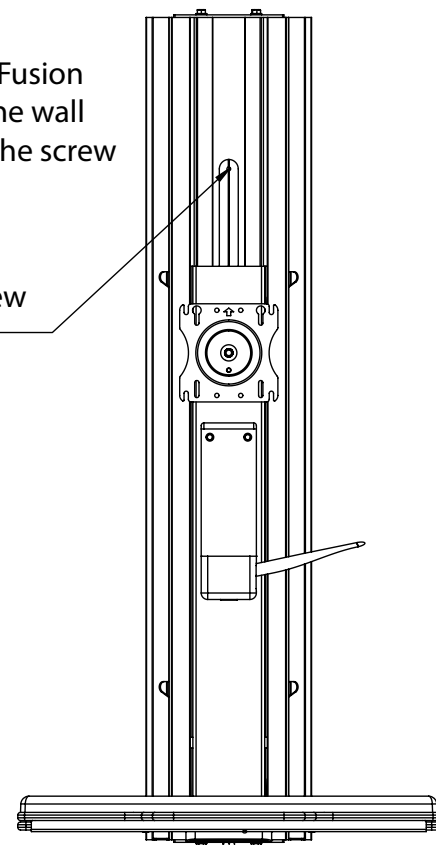


STEP 2

2.0

Secure the Fusion mount to the wall plate with the screw provided

Insert and tighten screw



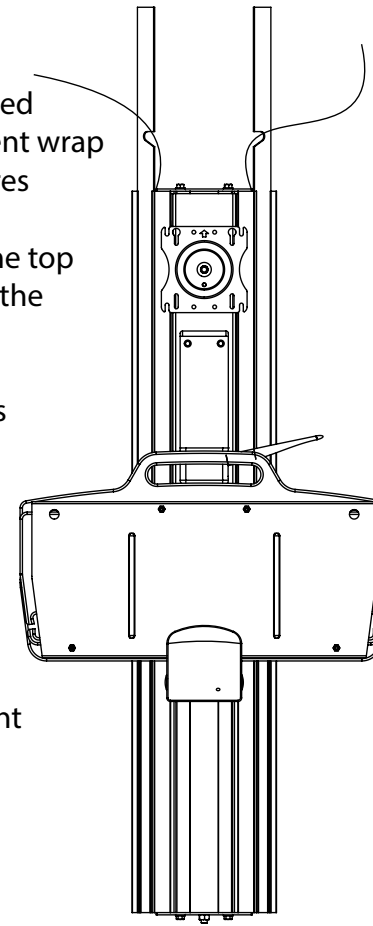
STEP 3

3.0

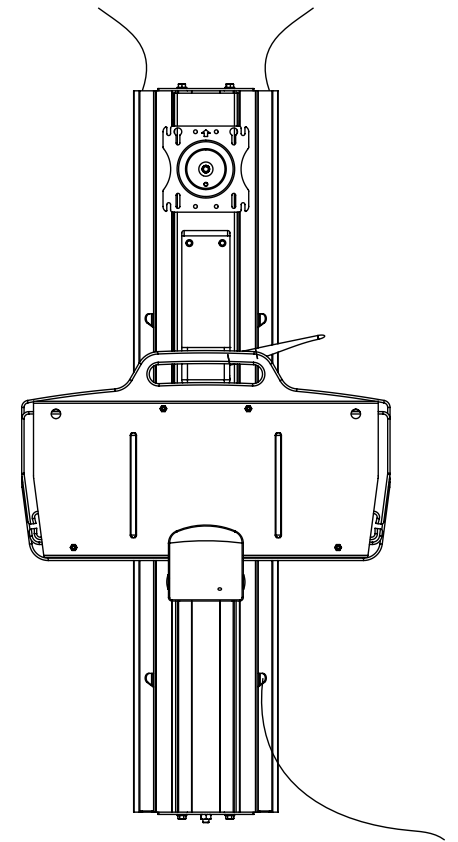
Utilize the provided cable management wrap to bundle the wires

Cables can exit the top or the bottom of the Fusion mount

Holding the wires behind the cable management cover, slide the cables into the slot leaving approximately 13-15" of slack (for optimal height adjustment)

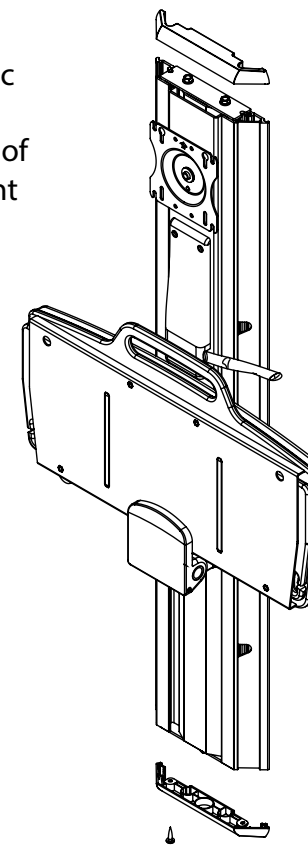


3.1



3.2

Attach the plastic end caps to the top and bottom of the Fusion mount with the screws provided



4.0

Attach the quick connect bracket to the back of the monitor with the screws provided

