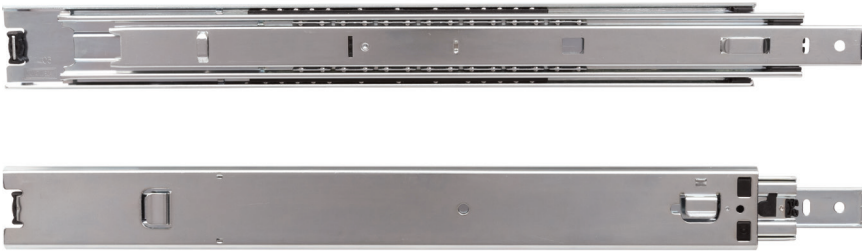


8620 Full Extension Metal Cabinet and Drawer Slide



Features

- Bayonet and Belt Loop Mount
- Lever disconnect for easy drawer removal
- Recommended maximum drawer width 36"

Mounting: Side (Bayonet and Belt Loop)

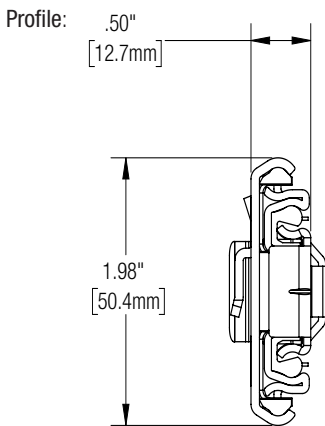
Action: Telescopic action on ball-bearings

Load Rating: 150 lb. class

Height: 1.98" [50.4mm]

Clearance: .51" + .01" - 0" on each side

Finish: Zinc (ZC)



Configurations

Quantity (Q)	10 pairs; multiple cartons
8620 Zinc (ZC) Finish	
Size	Quantity (Q)
14"	8620Q 14
16"	8620Q 16
18"	8620Q 18
20"	8620Q 20
22"	8620Q 22
24"	8620Q 24
26"	8620Q 26
28"	8620Q 28

Non-stock item – minimum order quantities and additional lead time may apply.