



Drawer Slides

How to Choose a Drawer Slide 3
 Drawer Slide Quick Reference and Application Matrices 4

Light-Duty Drawer Slides 9

1175 3/4 Extension Center Under Drawer Slide 10
 1300 3/4 Extension Drawer Slides 11
 1805 Epoxy-Coated Drawer Slide 12
 8350 3/4 Extension Drawer Slides 13
 4400 Low Profile Full Extension Drawer Slide 14
 4450 Low Profile Full Extension Soft-Close Drawer Slide 15

Medium-Duty Drawer Slides 16

8400 Full Extension Box or File Drawer Slide 18
 8405 Over Travel Box or File Drawer Slide 19
 8407 Full Extension Box or File Drawer Slide with Shelf Tabs 20
 8414 Full Extension Hold-Out Drawer Slide 21
 8417, 8419, 8400RV Self-Closing Drawer Slides 22
 8420, 8425 Metal Cabinet and Drawer Slide 23
 8450FM, 8455FM Soft-Close Drawer Slides 24
 KV GSlide GS4200, GS4205 Drawer Slide 25
 KV GSlide GS4260 Push-Open Drawer Slide 26
 KV GSlide GS4270 Soft-Close Drawer Slide 27
 KV Tru-Trac TT100 Full Extension Ball-Bearing Drawer Slide 28
 KV DuriSlide 4500 Ball-Bearing Drawer Slide 29

Undermount Drawer Slides 30

KV GSlide GS2070 Full Extension Undermount Drawer Slide 31
 MuV+ Full Extension Undermount Drawer Slide 32
 MuV+34 Full Extension Undermount Drawer Slide 33
 MuV+HD Heavy-Duty Full Extension Undermount Drawer Slide 34
 MuV+34HD Heavy-Duty Full Extension Undermount Drawer Slide 35

Heavy-Duty Drawer Slides 36

6500, 6505 Box or File Drawer Slide 37
 8500, 8505 Heavy-Duty File or Lateral Drawer Slides 38
 8520, 8525 Extra Heavy-Duty File or Lateral Drawer Slides 39
 8600, 8605 Heavy-Duty Drawer Slide 40
 8620, 8625 Metal Cabinet and Drawer Slide 41
 8650FM, 8655FM Heavy-Duty Soft-Close Drawer Slide 42
 8810, 8815 Heavy-Duty Drawer Slide 43
 8820, 8825 Heavy-Duty Metal Cabinet and Drawer Slide 44
 8900 Extra Heavy-Duty Full Extension Drawer Slide 45
 8908, 8909, 8910 Extra Heavy-Duty Full Extension Locking Drawer Slides 46

Specialty Drawer Slides 47

6300 Corrosion Resistant Finish Drawer Slide 48
 6400 Stainless Steel Drawer Slide 49
 8000 Over Travel Undermount Pantry Drawer Slide 50
 8500T Lateral File Drawer Systems 51

Overhead Door and Desk Slides 52

4461D 5/8 Extension Variable Height Keyboard Slide 53
 8150, 8157 3/4 Extension Variable Height Keyboard Slides 54
 8250 3/4 Extension Variable Height Pencil or Center Drawer Slide 55
 8050 Hinged Door Slide 56

Door Slides and Hinge Kits 57

8070, 8071, 8072 Pivot Door Slides 58
 8080, 8081, 8082 Pivot Door Slides 59
 8091, 8092 Pivot Door Slides 60
 4x4 Pocket Door Full Overlay Kit 61
 Salice Hinge Kits 62

How to Choose a Drawer Slide

Design Factors

Each drawer slide model has unique performance characteristics that are determined by the intended application for which it is designed. There are many different slides available for a variety of applications; choose the slide that best fits your application.

Length. Slide length is a key factor. Typically, the longer the slide, the less load it will carry and vice versa.

Travel. Travel is the maximum extension compared to the closed length. Most slides are either 3/4 or full travel. Special extension lengths are available with modified travel. In general, the longer the travel, the less load a slide can carry and vice versa.

- A 3/4 travel slide has extension to approximately 75% of its length.
- A full travel slide has extension approximately equal to its length.
- An over travel slide extends beyond its length.

Width. Drawer width affects the rigidity of the installation. In wide drawers, the slides will rack from side to side. Excessive racking can degrade performance and shorten slide life.

Action. The type of mechanism used to carry the load affects slide performance, motion, noise, and the “fit and feel.” KV slides use rollers, ball-bearings, friction fits, or any combination in achieving movement. In general, superior action requires more rollers or ball-bearings to support and distribute large loads.

Size. In addition to a slide’s load rating, the physical size of the application is a consideration.

Drawers having unusual width, depth, or height especially require careful consideration to determine which slide best suits the application.

Operating Clearance. Drawer slides operate within a specified clearance (the space between the drawer and the case). The clearance must be strictly held within the specified tolerances. When the clearance is too wide or too narrow, the slide will experience additional forces and stresses that will reduce its expected performance and life.

Case Goods Construction and

Materials. Slides perform better when mounted in rigidly constructed furniture. Construction with soft or thin materials often results in flexing. This causes the drawer to rack from

side to side, placing considerable stress on the slides. Do not use drawer slides as support members carrying structural loads.

Application Factors

Location of Pull. The location of the drawer handle affects slide performance. Center pull positions “are recommended because they permit a balanced pull force evenly carried by both slides. Side or edge pulls put more force directly on one slide than the other, causing the two slides to progress at different speeds. The additional force required to open and close the drawer hinders performance and shortens slide life.

Installation. Most slide designs require installation in a single position. Carefully study the application before installing the slides in different or abnormal positions.

1. **Orientation.** Slides should not be installed in an orientation other than for their intended usage. For example, a slide designed for Side-mounting may lose 75 percent or more of its load-carrying capacity if mounted flat underneath a drawer.
2. **Location.** Drawer construction, pull position, and type of load are all key considerations to determine the best location to fasten the slides.
3. **Balance.** Most slides are designed for use in pairs. For example, suspending a load from just one side (cantilevered load) causes excessive stress and may result in premature slide failure.

Fastening. For best performance, slides require proper fastening. Use the recommended fasteners in sufficient quantity to properly secure the slide. Too few fasteners can cause the slide to pull loose and cause damage. Abnormal fastening methods should be carefully evaluated, because methods such as gluing, riveting, or welding may have unanticipated effects.

Load Factors

Alignment. Slides run in a straight motion. The more precisely the slides are aligned, the less chance they will work against each other.

Load Ratings. KV designates drawer slides in “Pound Class” categories, and uses dynamic (rather than static) loading to determine load ratings. The “Pound Class” categories are used within the slide industry as general guidelines for drawer slide selection. These categories are not the same as actual load ratings. Load ratings vary based on slide length, application, and case goods construction.

The categories provide a reference point in selecting which slide may fit a particular application. The Pound Class designations are not intended as a substitute for actual product testing. Proper slide selection may be significantly different from the Pound Class designation, depending on the application or other use factors. Representative testing of the selected drawer slide in the fully configured application is the only way to assure proper performance, durability, and safety.

Static Loads. A static load is a resting load without any motion. Static load capacity is significantly higher than dynamic load capacity.

Dynamic Loads. A dynamic load is a load in motion. When a dynamic load gains momentum, it induces more stress and fatigue. Slides must withstand more forces when in motion than when still.

Dynamic loads affect the life and performance of any slide. Other load factors affecting performance are:

1. An evenly or unevenly distributed load
2. A centered or off-centered load
3. The load’s center-of-gravity relative to the slide’s centerline-of-travel
4. The number of cycles
5. The speed or frequency of cycles
6. The length of the cycle stroke
7. The percent of travel
8. The stopping force and distance

Abnormal Loads/Vibration.

Shipping, abusive loads, and impact loads—even in short duration—put large stresses on the slide and can cause immediate or premature failure. Excessive or continuous vibrations can also reduce slide performance and life.

Corrosion. Excessive humidity, salts, or other chemical agents can corrode the finish and attack metal or plastic components. The effects may be immediate, or they may develop over time.

Lubrication. Knapé & Vogt lubricates slides at the factory. However, contaminants such as dirt, filings, sawdust, paints, etc. can rapidly break down the effectiveness of the factory-applied lubricant.

Temperature. Extreme high or low temperatures can cause lubricants to thin or gel. Extreme temperatures caused by equipment such as finishing ovens can deteriorate a slide’s plastic and rubber components.

Finishing. Over-spray from stains, paints, varnishes, or other finishing agents may degrade the quality of a slide’s “fit and feel.” These types of chemical agents can also attack plastic, rubber, and metal slide components. It’s important to properly mask or otherwise protect installed slides before finishing furniture and cabinetry.

Proper slide specification and installation are keys to long and problem-free operation. To help you select the drawer slides best-suited to your specific applications, Knapé & Vogt offers a free consultation service. KV also offers a “no charge” testing service.

KV strongly recommends that manufacturers test representative samples of the complete application. Appropriate industry standards should be followed to assure proper performance, durability, and safety.

NOTE: Knapé & Vogt’s testing service does not include product cost nor freight cost to or from the KV test laboratory. Product is properly disposed of shortly after testing, unless otherwise requested.

Drawer Slides Quick Reference Guide

	Mounting Style	Load Class	Slide Type		Extension			Disconnect Type					Open/Close Features						V-Notch (Special Order)	
			Roller Bearing	Ball-Bearing	Undermount	Extension 3/4	Extension Full	1" Over Travel	No Disconnect	Friction Release	Lever Release	Lift Out	Quick Disconnect (QD RAIL)	Hold In Anti-Rebound	Hold-Out/Open	Lock-In	Lock Open	Self-Close		Push-to-Open
Light-Duty Slides																				
1175	Under	50	•			•					•									
1300	Side	75	•			•				•			•							
1805	Side	75	•			•					•		•		•	•				
8350	Side	75		•		•				•			•							
8355	Side	75		•		•				•			•							
8357	Side	75		•		•				•			•						•	
4400	Side	65		•			•			•			•							
4450	Side	65		•			•			•			•					•		
Medium-Duty Slides																				
8400	Side	100		•		•				•			•							
8405	Side	90		•			•			•			•							
8407	Side	100		•		•				•			•						•	
8414	Side	100		•		•				•			•	•						
8417	Side	100		•		•				•			•			•				
8419	Side	90		•			•			•			•			•				
8420	Side	100		•		•				•			•							
8425	Side	90		•			•			•			•							
8400RV	Side	100		•		•				•			•							
8450FM	Side	100		•		•				•			•						•	
8455FM	Side	90		•		•				•			•						•	
MuV+	Under	75			•	•				•			•						•	
MuV+34	Under	75			•	•				•			•						•	
MuV+HD	Under	120			•	•				•			•						•	
MuV+34HD	Under	120			•	•				•			•						•	
GS2070	Under	75			•	•				•			•						•	
GS4200	Side	100		•		•				•			•							
GS4205	Side	90		•			•			•			•							
GS4260	Side	100		•		•				•			•					•		
GS4270	Side	100		•		•				•			•						•	
TT100	Side	100		•		•				•			•							
DUR4500	Side	100		•		•				•			•							

Drawer Slides Quick Reference Guide *(continued)*

Mounting Style	Load Class	Slide Type			Extension			Disconnect Type					Open/Close Features					V-Notch (Special Order)		
		Roller Bearing	Ball-Bearing	Undermount	3/4 Extension	Full Extension	1" Over Travel	Disconnect No	Friction Release	Lever Release	Lift Out	Quick Disconnect (OD RAIL)	Hold In Anti-Rebound	Hold Out / Open	Lock In	Lock Open	Self-Close		Push-to-Open	Soft-Close
Heavy-Duty Slides																				
6500	Side	125		•		•				•				•						
6505	Side	125		•			•			•				•						
8500	Side	150		•		•							•	•						
8505	Side	150		•			•						•	•						
8520	Side	175		•		•							•	•						
8525	Side	175		•			•						•	•						
8600	Side	150		•		•				•				•						
8605	Side	140		•			•			•				•						
8620	Side	150		•		•				•				•						
8625	Side	140		•			•			•				•						
8650FM	Side	150		•		•				•				•				•		
8655FM	Side	140		•			•			•				•					•	
8810	Side	200		•		•				•				•					•	
8815	Side	190		•			•			•				•						
8820	Side	200		•		•				•				•						
8825	Side	190		•			•			•				•						
8900	Side	150-500		•		•			•					•						
8908	Side	150-500		•		•			•						•		•			
8909	Side	150-500		•		•			•							•				
8910	Side	150-500		•		•			•					•						
Specialty Slides																				
6300	Side	100		•		•				•				•						
6400	Side	100		•		•				•				•						
8000	Under	130		•			•				•			•						
8500T	Side	150		•		•							•	•						
8505T	Side	150		•			•							•						
8520T	Side	175		•		•								•						
8525T	Side	175		•			•							•						
4461D	Under	75		•																
8150	Under	75		•		•				•				•		•				
8157	Under	75		•		•				•				•		•				
8250	Under	75		•		•				•				•						

Ball-Bearing Slides: Suggested Product Application Matrix

Part Number	Recommended Applications													Available Stock Sizes											
	Special Order Only	60"	48"	42"	40"	36"	34"	32"	30"	28"	26"	24"	22"	20"	18"	16"	15"	14"	13"	12"	10"	8"	6"		
4400																									
4450																									
6300																									
6400																									
6500																									
6505																									
8000																									
8040EZ																									
8050EZ																									
8070EZ																									
8071EZ																									
8072EZ																									
8080EZ																									
8081EZ																									
8082EZ																									
8091																									
8092																									
8150																									
8157																									
8250																									
8350																									
8355																									
8357																									
8400																									
8405																									
8407																									
8414																									
8417																									
8419																									
8420																									
8425																									

Ball-Bearing Slides: Suggested Product Application Matrix *(continued)*

Part Number	Recommended Applications													Available Stock Sizes										
	Special Order Only	60"	48"	42"	40"	36"	34"	32"	30"	28"	26"	24"	22"	20"	18"	16"	15"	14"	13"	12"	10"	8"	6"	
8400RV																								
8450FM																								
8455FM																								
8500																								
8500TQ																								
8505																								
8520																								
8525																								
8600																								
8605																								
8620																								
8625																								
8650FM																								
8655FM																								
8810																								
8815																								
8820																								
8825																								
8900																								
8908																								
8909																								
8910																								
GS4200																								
GS4205																								
GS4260																								
GS4270																								
TT100																								
DUR4500																								

Roller Bearing Slides: Suggested Product Application Matrix

Part Number	Recommended Applications										Available Stock Sizes																	
	Kitchen Cabinets	Bathroom Vanities	Architectural Woodwork	Residential Furniture	Institutional Furniture	Office Furniture	Store Fixtures	Work Benches	Fine Cabinetry	Special Order Only	12"	14"	16"	18"	20"	22"	22-5/8"	24"	26"	28"	300mm	350mm	400mm	450mm	500mm	550mm	600mm	650mm
1175	•	•											•	•	•	•	•											
1300	•	•	•				•				•	•	•	•	•	•		•	•									
1805	•	•	•	•																	•	•	•	•	•	•	•	•

Undermount Drawer Slide Size Guide

Part Number	Available Stock Sizes												
	9"	10"	12"	14"	15"	16"	18"	20"	21"	22"	24"	27"	30"
MuV+	•	•	•	•	•	•	•	•	•	•			
MuV+34	•	•	•	•	•	•	•	•	•	•			
MuV+HD							•	•	•	•	•	•	•
MuV+34HD							•	•	•	•	•	•	•
GS2070	•		•		•		•		•				



Light-Duty Drawer Slides

1175 3/4 Extension Center Under Drawer Slide 10
 1300 3/4 Extension Drawer Slides 14
 1805 Epoxy-Coated Drawer Slide 15
 8350 3/4 Extension Drawer Slides 17
 4400 Low Profile Full Extension Drawer Slide 18
 4450 Low Profile Full Extension Soft-Close Drawer Slide 20

	Mounting Style	Load Class	Roller Bearing	Ball-Bearing	3/4 Extension	Full Extension	1" Over Travel	No Disconnect	Friction Release	Lever Release	Lift Out	Disconnect Type		Open/Close Features					V-Notch Special Order			
												Quick Disconnect	Hold In Anti-Rebound	Hold-Out / Open	Lock Open	Self-Close	Push-to-Open	Soft-Close		Shelf Tabs		
1175	Under	50	•		•						•											
1300	Side	75	•		•					•					•							
1805	Side	75	•		•						•			•	•				•			
8350	Side	75		•						•				•								
4400	Side	65		•		•				•				•								
4450	Side	65		•		•				•				•								•

1175 3/4 Extension Center Under Drawer Slide



Features

- Mounts with staples or screws
- Drawers lift out for easy removal
- Recommended maximum drawer width 18"

Mounting: Under-drawer

Action: Rollers


Load Rating: 50 lb. class

Height: 1" [25.4mm]

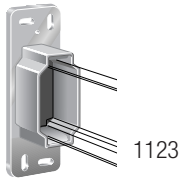
Finish: Zinc (ZC)

Configurations

Poly (P)	1 slide per bag with screws; 10 slides per carton
1175 Zinc (ZC) Finish	
Size	Poly (P)
22-5/8"	1175P ZC 22-5/8

Recommended Fasteners		KV Part	Finish	Qty
	#6 x 1/2" Phillips Pan Head	200106-5	Zinc (ZC)	1000

Mounting Brackets



Product	Pack
1123 PLAS	500 per carton

1300 3/4 Extension Drawer Slides



Features

- Positive stop lever
- Stay close design
- Recommended maximum drawer width 18"
- 3/4 extension slide

Mounting: Side

Action: Ball-bearing rollers

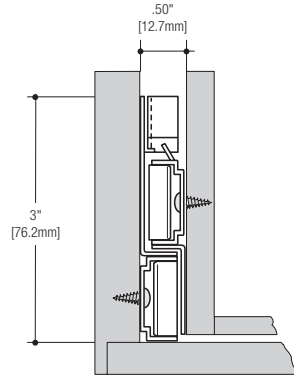
Load Rating: 75 lb. class

Height: 3" [76.2mm]

Clearance: .50" + .03" - 0" on each side

Finish: Zinc (ZC)


Profile:



1300

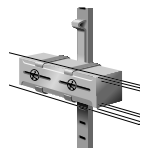
Configurations

Bulk (B)	10 pairs per carton without screws	
Poly (P)	1 pair per bag with screws; 10 pairs per carton	
1300 Zinc (ZC) Finish		
12"	–	1300P ZC 12
14"	1300B ZC 14	1300P ZC 14
16"	1300B ZC 16	1300P ZC 16
18"	1300B ZC 18	1300P ZC 18
20"	1300B ZC 20	1300P ZC 20
22"	1300B ZC 22	1300P ZC 22
24"	1300B ZC 24	1300P ZC 24
26"	1300B ZC 26	1300P ZC 26
28"	–	1300P ZC 28

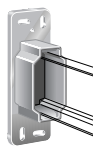
Recommended Fasteners		KV Part	Finish	Qty
	#7 x 1/2" Phillips Pan Head	8500-93	Zinc (ZC)	1000
		8500-93 EB	Ebony Black (EB)	1000

Non-stock item – minimum order quantities and additional lead time may apply.

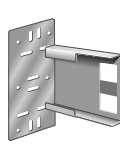
Mounting Brackets



1303
Vertically Adjustable
Side-Mounting Bracket



1123 PLAS
Plastic Rear
Mounting Bracket



1304
Metal Rear
Mounting Bracket

Product	Pack
1303	100 per carton
1123 PLAS	500 per carton
1304	100 per carton

1805 Epoxy-Coated Drawer Slide



Features

- 32mm mounting hole pattern
- Lift out disconnect
- Self-close design
- Recommended maximum drawer width 18"

Mounting: Side

Action: Rollers

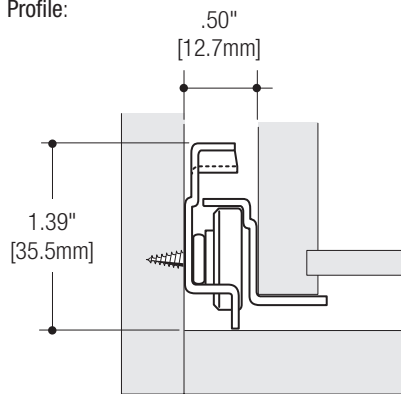
Load Rating: 75 lb. class

Height: 1.39" [35.5mm]

Clearance: .50" + .03" - 0" on each side


Finish: White (WH)

Profile:

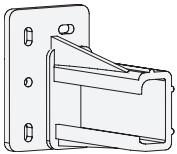


Configurations

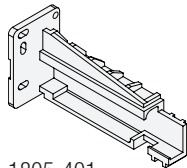
Hefty (H)	1 pair per bag with screws; 20 pairs per carton		
Quantity (Q)	100 pairs per carton without screws; multiple cartons		
Taped Pair (T)	1 pair taped together without screws; 20 pairs per carton		
1805 White (WH) Finish			
300mm	1805H WH 300	1805Q WH 300	1805T WH 300
350mm	1805H WH 350	1805Q WH 350	1805T WH 350
400mm	1805H WH 400	1805Q WH 400	1805T WH 400
450mm	1805H WH 450	1805Q WH 450	1805T WH 450
500mm	1805H WH 500	1805Q WH 500	1805T WH 500
550mm	1805H WH 550	1805Q WH 550	1805T WH 550
600mm	1805H WH 600	1805Q WH 600	1805T WH 600

Recommended Fasteners		KV Part	Finish	Qty
	#6 x 7/16" Phillips Flathead	1284-80	Zinc (ZC)	1000

Mounting Brackets



1805-101
Left and right
handed sockets
(2-3/8" socket)



1805-401
Left and right
handed sockets
(4" socket)

Product	Pack	Handed
1805-101L BP	50 per carton	Left
1805-101R BP	50 per carton	Right
1805-401L BP	50 per carton	Left
1805-401R BP	50 per carton	Right

8350 3/4 Extension Drawer Slides



Features

- 32mm mounting hole pattern
- Lever disconnect permits easy drawer removal
- Non-handed design
- Recommended maximum drawer width 24"
- 3/4 extension drawer slide

Mounting: Side

Action: Ball-bearing movement

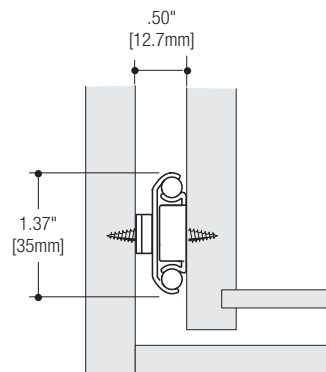
Load Rating: 75 lb. class

Height: 1.37" [35mm]

Clearance: .50" + .03" - 0" on each side

Finish: Anochrome (ANO)


Profile:



Configurations

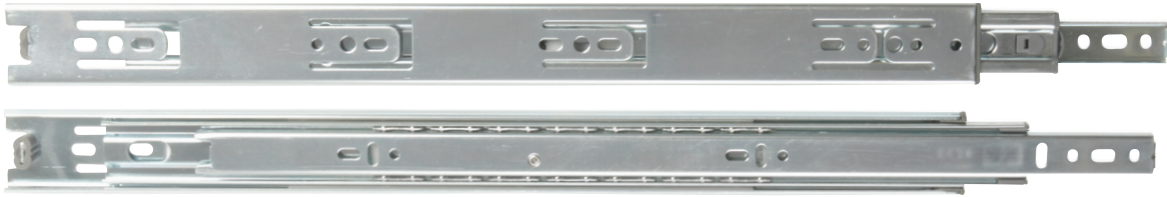


Bulk (B)	10 pairs per carton without screws
8350 Anochrome (ANO) Finish	
Size	Bulk (B)
12"	8350B 12
14"	8350B 14
16"	8350B 16
18"	8350B 18
20"	8350B 20
22"	8350B 22
8355 Anochrome (ANO) Finish	
Size	Bulk (B)
12"	8355B 12
14"	8355B 14
16"	8355B 16
18"	8355B 18

Recommended Fasteners	KV Part	Finish	Qty
 #7 x 1/2" Phillips Pan Head	8500-93	Zinc (ZC)	1000

Non-stock item – minimum order quantities and additional lead time may apply.

4400 Low Profile Full Extension Drawer Slide



Features

- Lever release
- Hold-in detent
- Recommended maximum drawer width 24"

Mounting: Side

Action: Telescopic movement on ball-bearings

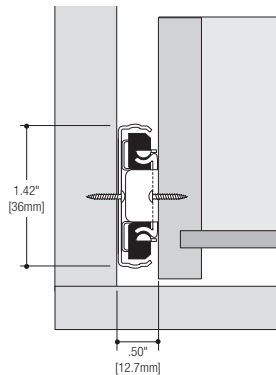
Load Rating: 65 lb. class

Height: 1.42" [36mm]

Clearance: .50" + .03" - 0" on each side

Finish: Zinc (ZC)

Profile:



Configurations



Bulk (B)	10 pairs per carton without screws
4400 Zinc (ZC) Finish	
Size	Bulk (B)
10" (250mm)	4400B 10
12" (300mm)	4400B 12
14" (350mm)	4400B 14
16" (400mm)	4400B 16
18" (450mm)	4400B 18
20" (500mm)	4400B 20
22" (550mm)	4400B 22
24" (600mm)	4400B 24
26" (650mm)	4400B 26
28" (700mm)	4400B 28

Recommended Fasteners	
	#6 x 1/2" Truss Head

Mounting Brackets



4101B
Rear Mounting Bracket

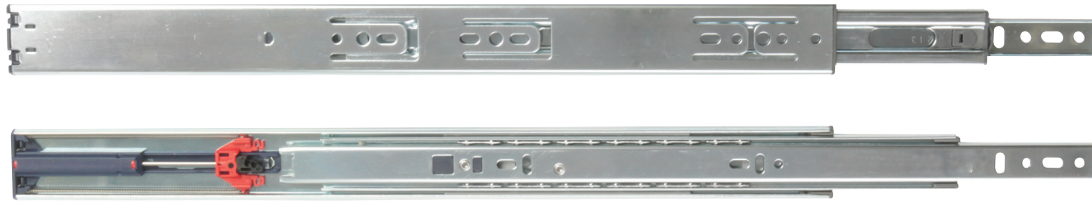


4104B
Front Face Frame Bracket

- Non-handed snap-on design

Product	Pack
4101B	20 per carton
4104B	20 per carton

4450 Low Profile Full Extension Soft-Close Drawer Slide



Features

- Lever release
- Soft-close module
- Recommended maximum drawer width 24"

Mounting: Side

Action: Soft-close

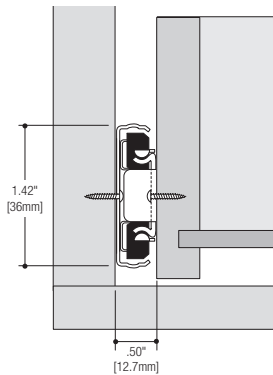
Load Rating: 65 lb. class

Height: 1.42" [36mm]

Clearance: .50" + .03" - 0" on each side

Finish: Zinc (ZC)

Profile:



Configurations



Bulk (B)	10 pairs per carton without screws
4450 Zinc (ZC) Finish	
Size	Bulk (B)
10" (250mm)	4450B 10
12" (300mm)	4450B 12
14" (350mm)	4450B 14
16" (400mm)	4450B 16
18" (450mm)	4450B 18
20" (500mm)	4450B 20
22" (550mm)	4450B 22
24" (600mm)	4450B 24

Recommended Fasteners



#6 x 1/2" Truss Head

Less than Full Extension: 10" = 7.8" Extension

Mounting Brackets



4101B
Rear Mounting Bracket



4104B
Front Face Frame Bracket

- Non-handed snap-on design

Product	Pack
4101B	20 per carton
4104B	20 per carton

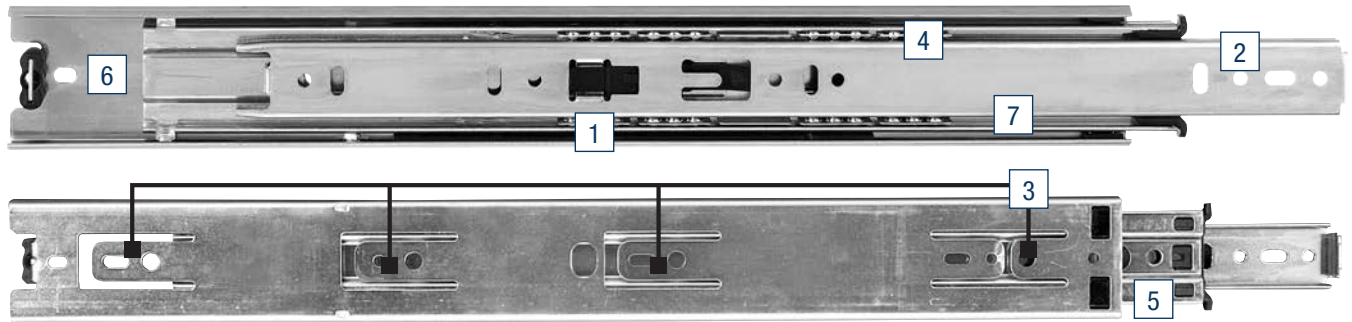


Medium-Duty Drawer Slides

- 8400 Series Overview 17
- 8400 Full Extension Box or File Drawer Slide 18
- 8405 Over Travel Box or File Drawer Slide 19
- 8407 Full Extension Box or File Drawer Slide with Shelf Tabs 20
- 8414 Full Extension Hold-Out Drawer Slide 21
- 8417, 8419, 8400RV Self-Closing Drawer Slides 22
- 8420, 8425 Metal Cabinet and Drawer Slide 23
- 8450FM, 8455FM Soft-Close Drawer Slides 24
- KV GSlide GS4200, GS4205 Drawer Slide 25
- KV GSlide GS4260 Push-Open Drawer Slide 26
- KV GSlide GS4270 Soft-Close Drawer Slide 27
- KV Tru-Trac TT100 Full Extension Ball-Bearing Drawer Slide 28
- KV DuriSlide 4500 Ball-Bearing Drawer Slide 29

	Mounting Style	Load Class	Roller Bearing	Ball-Bearing	3/4 Extension	Full Extension	1" Over Travel	Disconnect Type			Open/Close Features						
								No Disconnect	Friction Release	Lever Release	Lift Out	Quick Disconnect	Hold In Anti-Rebound	Hold-Out / Open	Lock Open	Self-Close	Push-to-Open
8400	Side	100	•	•	•				•		•						
8405	Side	100	•			•			•		•						
8407	Side	100	•	•	•				•		•						•
8414	Side	100	•	•	•				•		•	•					
8417	Side	100	•	•	•				•		•			•			
8419	Side	90	•		•				•		•			•			
8420	Side	100	•	•	•				•		•						
8425	Side	90	•		•				•		•						
8400RV	Side	100	•	•	•				•		•			•			
8450FM	Side	100	•	•	•				•		•			•			•
8455FM	Side	90	•		•				•		•			•			•
GS4200	Side	100	•	•	•				•		•						
GS4205	Side	90	•	•	•				•		•						
GS4260	Side	100	•	•	•				•						•		
GS4270	Side	100	•	•	•				•								•
TT100	Side	100	•	•	•				•		•						
DUR4500	Side	100	•	•	•				•		•						

8400 Series Drawer Slides



1. Push-in button for drawer disconnect is ergonomically designed for easy drawer removal.
2. Traditional and 32mm hole pattern supports industry standards for safely fastening slide in place.
3. Reversed flex tabs allow improved slide performance with side clearance tolerance adjustments.
4. Rolled ball-bearing raceway allows lateral loads to be carried by ball-bearings and not transferred to bushings sliding on metal.
5. Mounting hole is provided for face frame applications to eliminate the need for a separate bracket.
6. Access holes allow for drawer adjustments at full extension without removing drawer.
7. Lacquer finish provides superior corrosion resistance.

Self-Close Series Drawer Slides



Self-close slides use spring technology to close a drawer.

Models and Descriptions:

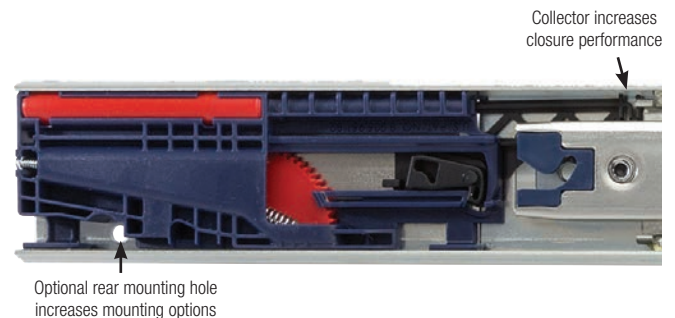
- 8417: Self-closing full extension
- 8419: Self-closing over travel drawer slide
- 8400RV: Heavy-duty self-closing full extension drawer slide

Features and Benefits:

- Self-close feature assist with the closing of a drawer and is fully integrated into the slide
- RV version has stronger springs to ensure closure in mobile applications

8450FM Soft-Close Drawer Slide

The new KV8450FM Series is a step forward in side-mounted ball-bearing drawer slides. The KV8450FM series incorporates state-of-the-art soft-close technology. The fully integrated soft-close module brings drawer box to a smooth, quiet and secure closure.



8450FM Series Features and Benefits

- Patented KV design incorporates dampening cylinder with balanced spring technology
- Soft-close module is fully integrated into an KV8400 style slide with same side clearance allowing cabinet makers to migrate directly to KV8450FM series products with no set up changes
- Exceeds KCMA, BHMA and BIFMA standards of performance: over 50,000 cycles including the soft-close module

8400 Full Extension Box or File Drawer Slide



Features

- 32mm hole pattern with direct access mounting
- Lever disconnect for easy drawer removal
- Non-handed design
- Recommended maximum drawer width 24"

Mounting: Side

Action: Telescopic movement on ball-bearings

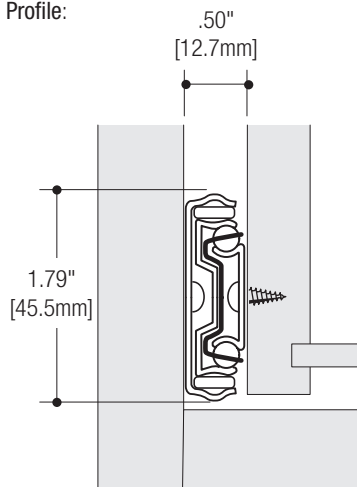
Load Rating: 100 lb. class

Height: 1.79" [45.5mm]

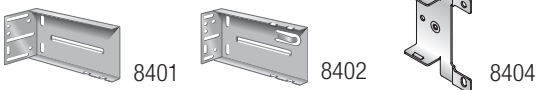
Clearance: .50" + .03" - 0" on each side

Finish: Anochrome (ANO), Ebony Black (EB)

Profile:



Mounting Brackets




Product	Front or Rear	Finish	Pack
8401	Rear	Zinc (ZC)	20 brackets/carton
8402	Rear	Zinc (ZC)	20 brackets/carton
8402BBL	Rear	Zinc (ZC)	400 brackets/carton
8402WP	Rear	Zinc (ZC)	20 brackets/warehouse pack
8404	Front	Zinc (ZC)	20 brackets/carton
8404B	Front	Zinc (ZC)	400 brackets/carton
8404 EB	Front	Ebony Black (EB)	20 brackets/carton
8404BBL	Front	Zinc (ZC)	400 brackets/carton
8404B KIT	Both	Zinc (ZC)	2 [8403] + 2 [8404] + screws

Configurations



Bulk (B)	10 pairs per carton without screws		
Poly (P)	1 pair per bag with screws; 10 pairs per carton		
Quantity (Q)	50 pairs without screws; multiple cartons		
8400 Anochrome (ANO) Finish			
Size	Bulk (B)	Poly (P)	Quantity (Q)
8"	8400B 8	8400P 8	8400Q 8
10"	8400B 10	8400P 10	8400Q 10
12"	8400B 12	8400P 12	8400Q 12
14"	8400B 14	8400P 14	8400Q 14
16"	8400B 16	8400P 16	8400Q 16
18"	8400B 18	8400P 18	8400Q 18
20"	8400B 20	8400P 20	8400Q 20
22"	8400B 22	8400P 22	8400Q 22
24"	8400B 24	8400P 24	8400Q 24
26"	8400B 26	8400P 26	8400Q 26
28"	8400B 28	8400P 28	8400Q 28
8400 Ebony Black (EB) Finish			
8"	8400B EB 8	8400P EB 8	8400Q EB 8
10"	8400B EB 10	8400P EB 10	8400Q EB 10
12"	8400B EB 12	8400P EB 12	8400Q EB 12
14"	8400B EB 14	8400P EB 14	8400Q EB 14
16"	8400B EB 16	8400P EB 16	8400Q EB 16
18"	8400B EB 18	8400P EB 18	8400Q EB 18
20"	8400B EB 20	8400P EB 20	8400Q EB 20
22"	8400B EB 22	8400P EB 22	8400Q EB 22
24"	8400B EB 24	8400P EB 24	8400Q EB 24
26"	8400B EB 26	8400P EB 26	8400Q EB 26
28"	8400B EB 28	8400P EB 28	8400Q EB 28

Recommended Fasteners	KV Part	Finish	Qty	
	#7 x 1/2" Phillips Pan Head	8500-93	Zinc (ZC)	1000
		8500-93 EB	Ebony Black (EB)	1000

☐ Non-stock item – minimum order quantities and additional lead time may apply.

8405 Over Travel Box or File Drawer Slide



Features

- 1" over travel for full access to drawer contents
- Lever disconnect for easy drawer removal
- Non-handed design
- Recommended maximum drawer width 24"

Mounting: Side

Action: Telescopic action on ball-bearings

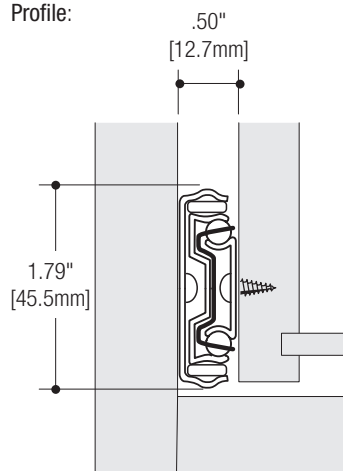
Load Rating: 100 lb. class

Height: 1.79" [45.5mm]

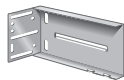
Clearance: .50" + .03" - 0" on each side

Finish: Anochrome (ANO), Ebony Black (EB)

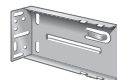
Profile:



Mounting Brackets



8401



8402



8404

Product	Front or Rear	Finish	Pack
8401	Rear	Zinc (ZC)	20 brackets/carton
8402	Rear	Zinc (ZC)	20 brackets/carton
8402BBL	Rear	Zinc (ZC)	400 brackets/carton
8402WP	Rear	Zinc (ZC)	20 brackets/warehouse pack
8404	Front	Zinc (ZC)	20 brackets/carton
8404B	Front	Zinc (ZC)	400 brackets/carton
8404 EB	Front	Ebony Black (EB)	20 brackets/carton
8404BBL	Front	Zinc (ZC)	400 brackets/carton
8404B KIT	Both	Zinc (ZC)	2 [8403] + 2 [8404] + screws

Configurations



Bulk (B)	10 pairs per carton without screws
Poly (P)	1 pair per bag with screws; 10 pairs per carton
Quantity (Q)	50 pairs without screws; multiple cartons

8405 Anochrome (ANO) Finish

Size	Bulk (B)	Poly (P)	Quantity (Q)
10"	8405B 10	8405P 10	8405Q 10
12"	8405B 12	8405P 12	8405Q 12
14"	8405B 14	8405P 14	8405Q 14
16"	8405B 16	8405P 16	8405Q 16
18"	8405B 18	8405P 18	8405Q 18
20"	8405B 20	8405P 20	8405Q 20
22"	8405B 22	8405P 22	8405Q 22
24"	8405B 24	8405P 24	8405Q 24
26"	8405B 26	8405P 26	8405Q 26
28"	8405B 28	8405P 28	8405Q 28

8405 Ebony Black (EB) Finish

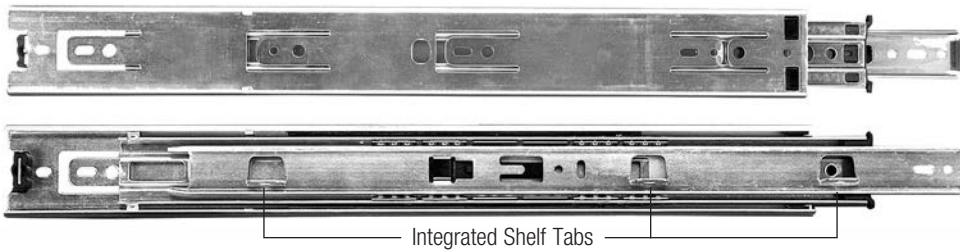
10"	8405B EB 10	8405P EB 10	8405Q EB 10
12"	8405B EB 12	8405P EB 12	8405Q EB 12
14"	8405B EB 14	8405P EB 14	8405Q EB 14
16"	8405B EB 16	8405P EB 16	8405Q EB 16
18"	8405B EB 18	8405P EB 18	8405Q EB 18
20"	8405B EB 20	8405P EB 20	8405Q EB 20
22"	8405B EB 22	8405P EB 22	8405Q EB 22
24"	8405B EB 24	8405P EB 24	8405Q EB 24
26"	8405B EB 26	8405P EB 26	8405Q EB 26
28"	8405B EB 28	8405P EB 28	8405Q EB 28

Recommended Fasteners

	KV Part	Finish	Qty
	8500-93	Zinc (ZC)	1000
	8500-93 EB	Ebony Black (EB)	1000

☐ Non-stock item – minimum order quantities and additional lead time may apply.

8407 Full Extension Box or File Drawer Slide with Shelf Tabs



Features

- 32mm hole pattern with direct access mounting
- Lever disconnect for easy drawer removal
- Integrated shelf tabs
- Recommended maximum drawer width 24"

Mounting: Side

Action: Telescopic movement on ball-bearings

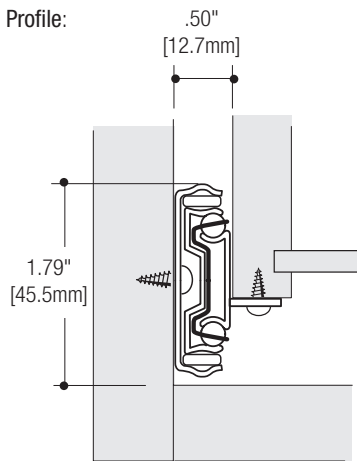
Load Rating: 100 lb. class

Height: 1.79" [45.5mm]

Clearance: .50" + .03" - 0" on each side


Finish: Anochrome (ANO)

Profile:



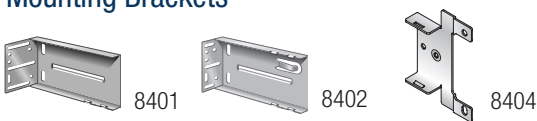
Configurations

Bulk (B)	10 pairs per carton without screws	
Poly (P)	1 pair per bag with screws; 10 pairs per carton	
8407 Anochrome (ANO) Finish		
Size	Bulk (B)	Poly (P)
10"	8407B 10	–
12"	8407B 12	–
14"	8407B 14	8407P 14
16"	8407B 16	8407P 16
18"	8407B 18	8407P 18
20"	8407B 20	8407P 20
22"	8407B 22	8407P 22
24"	8407B 24	8407P 24
26"	8407B 26	–
28"	8407B 28	–

Recommended Fasteners		KV Part	Finish	Qty
	#7 x 1/2" Phillips Pan Head	8500-93	Zinc (ZC)	1000

Non-stock item – minimum order quantities and additional lead time may apply.

Mounting Brackets



Product	Front or Rear	Finish	Pack
8401	Rear	Zinc (ZC)	20 brackets/carton
8402	Rear	Zinc (ZC)	20 brackets/carton
8402BBL	Rear	Zinc (ZC)	400 brackets/carton
8402WP	Rear	Zinc (ZC)	20 brackets/warehouse pack
8404	Front	Zinc (ZC)	20 brackets/carton
8404B	Front	Zinc (ZC)	400 brackets/carton
8404 EB	Front	Ebony Black (EB)	20 brackets/carton
8404BBL	Front	Zinc (ZC)	400 brackets/carton
8404B KIT	Both	Zinc (ZC)	2 [8403] + 2 [8404] + screws

8414 Full Extension Hold-Out Precision Drawer Slide



Features

- 32mm hole pattern with direct access mounting
- Lever disconnect for easy drawer removal
- Hold-out feature holds slide in place when drawer is open
- Recommended maximum drawer width 24"

Mounting: Side

Action: Telescopic movement on ball-bearings

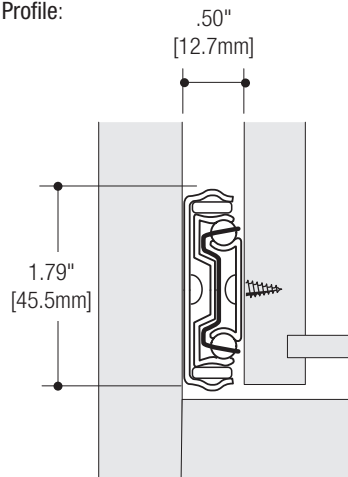
Load Rating: 100 lb. class

Height: 1.79" [45.5mm]

Clearance: .50" + .03" - 0" on each side

Finish: Anochrome (ANO)

Profile:



Mounting Brackets




Product	Front or Rear	Finish	Pack
8401	Rear	Zinc (ZC)	20 brackets/carton
8402	Rear	Zinc (ZC)	20 brackets/carton
8402BBL	Rear	Zinc (ZC)	400 brackets/carton
8402WP	Rear	Zinc (ZC)	20 brackets/warehouse pack
8404	Front	Zinc (ZC)	20 brackets/carton
8404B	Front	Zinc (ZC)	400 brackets/carton
8404 EB	Front	Ebony Black (EB)	20 brackets/carton
8404BBL	Front	Zinc (ZC)	400 brackets/carton
8404B KIT	Both	Zinc (ZC)	2 [8403] + 2 [8404] + screws

Configurations



Bulk (B)	10 pairs per carton without screws	
Poly (P)	1 pair per bag with screws; 10 pairs per carton	
8414 Anochrome (ANO) Finish		
Size	Bulk (B)	Poly (P)
10"	8414B 10	–
12"	8414B 12	8414P 12
14"	8414B 14	8414P 14
16"	8414B 16	8414P 16
18"	8414B 18	8414P 18
20"	8414B 20	8414P 20
22"	8414B 22	8414P 22
24"	8414B 24	8414P 24

Recommended Fasteners		KV Part	Finish	Qty
	#7 x 1/2" Phillips Pan Head	8500-93	Zinc (ZC)	1000

Non-stock item – minimum order quantities and additional lead time may apply.

8417, 8419, 8400RV Self-Closing Drawer Slides



Features

- 32mm hole pattern with direct access mounting
- Self-closing feature
- 8400RV features a stronger spring for mobile applications
- Recommended maximum drawer width 24"

Extension: 8417: Self-closing full extension drawer slide
 8419: Self-closing 1" over travel drawer slide
 8400RV: Heavy-Duty self-closing full extension drawer slide

Mounting: Side

Action: Telescopic movement on ball-bearings

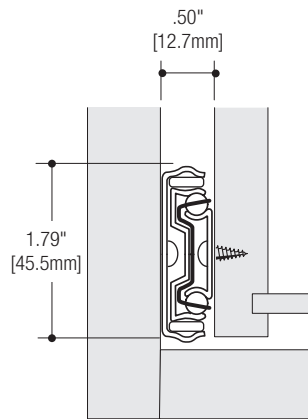
Load Rating: 100 lb. class (8417/8400RV); 90 lb. class (8419)

Height: 1.79" [45.5mm]

Clearance: .50" + .03" - 0" on each side

Finish: Anochrome (ANO)

Profile:

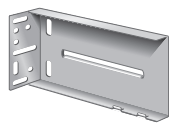


Configurations

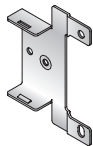


Bulk (B)	10 pairs per carton without screws	
Poly (P)	1 pair per bag with screws; 10 pairs per carton	
8417 Anochrome (ANO) Finish		
Size	Bulk (B)	Poly (P)
12"	8417B 12	8417P 12
14"	8417B 14	8417P 14
16"	8417B 16	8417P 16
18"	8417B 18	8417P 18
20"	8417B 20	8417P 20
22"	8417B 22	8417P 22
24"	8417B 24	8417P 24
26"	8417B 26	8417P 26
8419 Anochrome (ANO) Finish		
14"	8419B 14	8419P 14
16"	8419B 16	8419P 16
18"	8419B 18	8419P 18
20"	8419B 20	8419P 20
22"	8419B 22	8419P 22
24"	8419B 24	8419P 24
26"	8419B 26	8419P 26
8400RV Anochrome (ANO) Finish		
10"	8400BRV 10	—
12"	8400BRV 12	—
14"	8400BRV 14	—
16"	8400BRV 16	—
18"	8400BRV 18	—
20"	8400BRV 20	—
22"	8400BRV 22	—
24"	8400BRV 24	—
26"	8400BRV 26	—
28"	8400BRV 28	—

Mounting Brackets



8403



8404

Product	Front or Rear	Finish	Pack
8403	Rear	Zinc (ZC)	20 brackets/carton
8403BBL	Rear	Zinc (ZC)	400 brackets/carton
8404	Front	Zinc (ZC)	20 brackets/carton
8404B	Front	Zinc (ZC)	400 brackets/carton
8404 EB	Front	Ebony Black (EB)	20 brackets/carton
8404BBL	Front	Zinc (ZC)	400 brackets/carton
8404B KIT	Both	Zinc (ZC)	2 [8403] + 2 [8404] + screws

■ Non-stock item – minimum order quantities and additional lead time may apply.

8420, 8425 Metal Cabinet and Drawer Slide



Features

- Bayonet and Belt Loop Mount
- Lever disconnect for easy drawer removal
- Recommended maximum drawer width 24"

Extension: 8420: Full Extension

8425: 1" Over Travel

Mounting: Side (Bayonet and Belt Loop)

Action: Telescopic action on ball-bearings

Load Rating: 8420: 100 lb. class

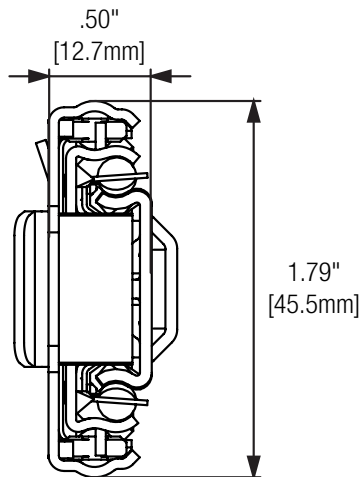
8425: 90 lb. class

Height: 1.79" [45.5mm]

Clearance: .50" + .03" - 0" on each side

Finish: Anochrome (ANO), Ebony Black (EB)

Profile:



Configurations

Quantity (Q)	20 pairs without screws; multiple cartons
8420 Anochrome (ANO) Finish	
Size	Quantity (Q)
14"	8420Q 14
16"	8420Q 16
18"	8420Q 18
20"	8420Q 20
22"	8420Q 22
24"	8420Q 24
26"	8420Q 26
28"	8420Q 28
8420 Ebony Black (EB) Finish	
14"	8420Q EB 14
16"	8420Q EB 16
18"	8420Q EB 18
20"	8420Q EB 20
22"	8420Q EB 22
24"	8420Q EB 24
26"	8420Q EB 26
28"	8420Q EB 28
8425 Anochrome (ANO) Finish	
Size	Quantity (Q)
14"	8425Q 14
16"	8425Q 16
18"	8425Q 18
20"	8425Q 20
22"	8425Q 22
24"	8425Q 24
26"	8425Q 26
28"	8425Q 28
8425 Ebony Black (EB) Finish	
14"	8425Q EB 14
16"	8425Q EB 16
18"	8425Q EB 18
20"	8425Q EB 20
22"	8425Q EB 22
24"	8425Q EB 24
26"	8425Q EB 26
28"	8425Q EB 28

☐ Non-stock item – minimum order quantities and additional lead time may apply.

8450FM, 8455FM Soft-Close Drawer Slide



Features

- Patented Force Management™ (FM) soft-close technology
- 32mm hole pattern with direct access mounting
- Lever disconnect for easy drawer removal
- Non-handed design
- Recommended maximum drawer width 24"

Extension: 8450FM: Full extension
8455FM: 1" Over travel

Action: Telescopic movement on ball-bearings

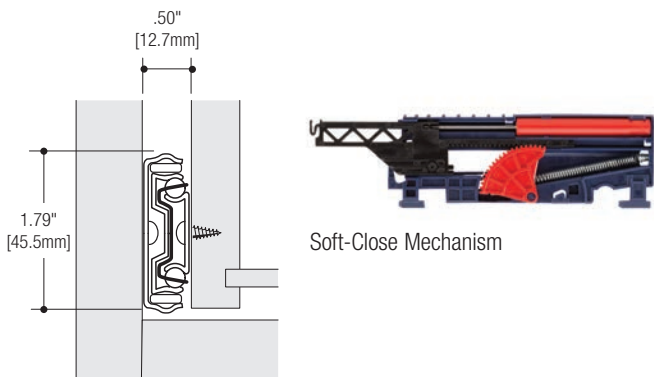
Load Rating: 8450FM: 100 lb. class
8455FM: 90 lb. class

Height: 1.79" [45.5mm]

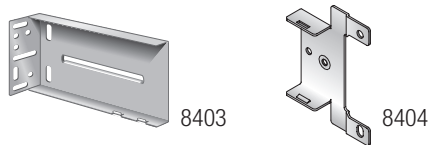
Clearance: .50" + .03" - 0" on each side

Finish: Anochrome (ANO), Ebony Black (EB)

Profile:



Mounting Brackets



Product	Front or Rear	Finish	Pack
8403	Rear	Zinc (ZC)	20 brackets/carton
8403BBL	Rear	Zinc (ZC)	400 brackets/carton
8404	Front	Zinc (ZC)	20 brackets/carton
8404B	Front	Zinc (ZC)	400 brackets/carton
8404 EB	Front	Ebony Black (EB)	20 brackets/carton
8404BBL	Front	Zinc (ZC)	400 brackets/carton
8404B KIT	Both	Zinc (ZC)	2 [8403] + 2 [8404] + screws

Configurations



Bulk (B)	10 pairs per carton without screws	
Poly (P)	1 pair per bag with screws; 10 pairs per carton	
8450FM Anochrome (ANO) Finish		
Size	Bulk (B)	Poly (P)
12"	8450FMB 12	8450FMP 12
14"	8450FMB 14	8450FMP 14
16"	8450FMB 16	8450FMP 16
18"	8450FMB 18	8450FMP 18
20"	8450FMB 20	8450FMP 20
22"	8450FMB 22	8450FMP 22
24"	8450FMB 24	8450FMP 24
26"	8450FMB 26	8450FMP 26
28"	8450FMB 28	8450FMP 28
8450FM Ebony Black (EB) Finish		
12"	8450FMB EB 12	—
14"	8450FMB EB 14	—
16"	8450FMB EB 16	—
18"	8450FMB EB 18	—
20"	8450FMB EB 20	—
22"	8450FMB EB 22	—
24"	8450FMB EB 24	—
26"	8450FMB EB 26	—
28"	8450FMB EB 28	—
8455FM Anochrome (ANO) Finish		
16"	8455FMB 16	8455FMP 16
18"	8455FMB 18	8455FMP 18
20"	8455FMB 20	8455FMP 20
22"	8455FMB 22	8455FMP 22
24"	8455FMB 24	8455FMP 24
26"	8455FMB 26	8455FMP 26
28"	8455FMB 28	8455FMP 28
8455FM Ebony Black (EB) Finish		
16"	8455FMB EB 16	—
18"	8455FMB EB 18	—
20"	8455FMB EB 20	—
22"	8455FMB EB 22	—
24"	8455FMB EB 24	—
26"	8455FMB EB 26	—
28"	8455FMB EB 28	—

Recommended Fasteners		KV Part	Finish	Qty
	#7 x 1/2" Phillips Pan Head	8500-93	Zinc (ZC)	1000
		8500-93 EB	Ebony Black (EB)	1000

Less than Full Extension: 12" = 10.2" Extension

□ Non-stock item – minimum order quantities and additional lead time may apply.

KV GSlide® GS4200, GS4205 Drawer Slide



Features

- 32mm hole pattern
- Lever disconnect for easy drawer removal
- Hold-in detent
- Non-handed design
- Recommended maximum drawer width 24"

Mounting: Side

Action: Telescopic movement on ball-bearings

Load Rating: GS4200: 100 lb. class

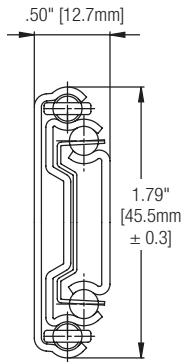
GS4205: 90 lb. class

Height: 1.79" [45.5mm]

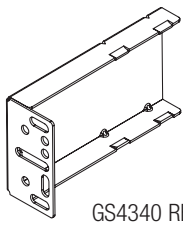
Clearance: .50" + .03" - 0" on each side

Finish: Zinc (ZC)

Profile:




Mounting Brackets



Product	Front or Rear	Finish	Pack
GS4340 RB	Rear	Zinc (ZC)	200

Configurations

Bulk (B)	10 Pair and 1 set of instructions per box without screws
GS4200 Zinc (ZC) Finish	
Size	Bulk (B)
250mm	GS4200 10
300mm	GS4200 12
350mm	GS4200 14
400mm	GS4200 16
450mm	GS4200 18
500mm	GS4200 20
550mm	GS4200 22
600mm	GS4200 24
650mm	GS4200 26
700mm	GS4200 28
GS4205 Zinc (ZC) Finish	
Size	Bulk (B)
250mm	GS4205 10
300mm	GS4205 12
350mm	GS4205 14
400mm	GS4205 16
450mm	GS4205 18
500mm	GS4205 20
550mm	GS4205 22
600mm	GS4205 24
650mm	GS4205 26
700mm	GS4205 28

Recommended Fasteners	KV Part	Finish	Qty
 #7 x 1/2" Phillips Pan Head	8500-93	Zinc (ZC)	1000

KV GSlide® GS4260 Push-Open Drawer Slide



Features

- Push-open feature holds a drawer or tray in the closed position until activated by a slight push
- 32mm hole pattern
- Lever disconnect for easy drawer removal
- Non-handed design
- Recommended maximum drawer width 24"

Mounting: Side

Action: Telescopic movement on ball-bearings

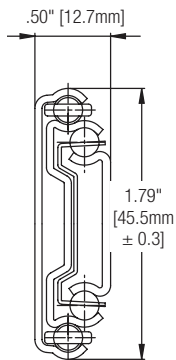
Load Rating: 100 lb. class

Height: 1.79" [45.5mm]

Clearance: .50" + .03" - 0" on each side


Finish: Zinc (ZC)

Profile:

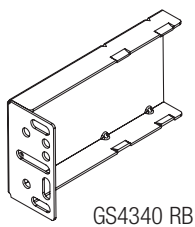


Configurations

Bulk (B)	10 Pair and 1 set of instructions per box without screws
GS4260 Zinc (ZC) Finish	
Size	Bulk (B)
250mm	GS4260 10
300mm	GS4260 12
350mm	GS4260 14
400mm	GS4260 16
450mm	GS4260 18
500mm	GS4260 20
550mm	GS4260 22
600mm	GS4260 24
650mm	GS4260 26
700mm	GS4260 28

Recommended Fasteners		KV Part	Finish	Qty
	#7 x 1/2" Phillips Pan Head	8500-93	Zinc (ZC)	1000

Mounting Brackets



Product	Front or Rear	Finish	Pack
GS4340 RB	Rear	Zinc (ZC)	200

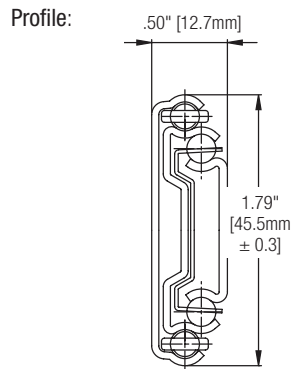
KV GSlide® GS4270 Soft-Close Drawer Slide



Features


- Soft-close module
- 32mm hole pattern
- Lever disconnect for easy drawer removal
- Non-handed design
- Recommended maximum drawer width 24"

Mounting: Side
Action: Telescopic movement on ball-bearings
Load Rating: 100 lb. class
Height: 1.79" [45.5mm]
Clearance: .50" + .03" - 0" on each side
Finish: Zinc (ZC)



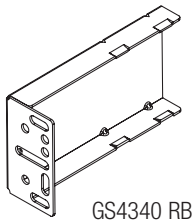
Configurations

Bulk (B)	10 Pair and 1 set of instructions per box without screws
GS4270 Zinc (ZC) Finish	
Size	Bulk (B)
300mm	GS4270 12
350mm	GS4270 14
400mm	GS4270 16
450mm	GS4270 18
500mm	GS4270 20
550mm	GS4270 22
600mm	GS4270 24
650mm	GS4270 26
700mm	GS4270 28

Recommended Fasteners		KV Part	Finish	Qty
	#7 x 1/2" Phillips Pan Head	8500-93	Zinc (ZC)	1000

Less than Full Extension: 12" = 8.4" Extension; 14" = 11.9" Extension

Mounting Brackets



Product	Front or Rear	Finish	Pack
GS4340 RB	Rear	Zinc (ZC)	200

KV Tru-Trac® TT100 Full Extension Ball-Bearing Drawer Slide



Features

- For face framed and frameless construction
- 32mm and traditional hole pattern
- Lever disconnect for easy drawer removal
- Non-handed design
- Recommended maximum drawer width 24"

Mounting: Side

Action: Telescopic movement on ball-bearings

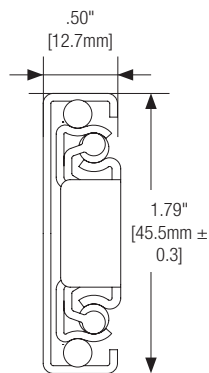
Load Rating: 100 lb. class

Height: 1.79" [45.5mm]

Clearance: .50" + .03" - 0" on each side


Finish: Zinc (ZC)

Profile:

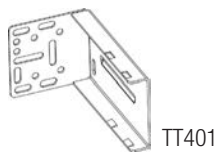


Configurations

Bulk (B)	10 pairs per carton without screws
TT100 Zinc (ZC) Finish	
Size	Bulk (B)
250mm	TT100B 250
300mm	TT100B 300
350mm	TT100B 350
400mm	TT100B 400
450mm	TT100B 450
500mm	TT100B 500
550mm	TT100B 550
600mm	TT100B 600
650mm	TT100B 650
700mm	TT100B 700

Recommended Fasteners		KV Part	Finish	Qty
	#7 x 1/2" Phillips Pan Head	8500-93	Zinc (ZC)	1000

Mounting Brackets



TT401

Product	Front or Rear	Finish	Pack
TT401	Rear	Zinc (ZC)	200 (10 Inner Boxes of 20 Brackets) Pallet Qty: 9,600 each
TT401B	Rear	Zinc (ZC)	200 (200 Loose Brackets) Pallet Qty: 9,600 each

KV DuriSlide™ 4500 Ball-Bearing Drawer Slide



Features

- 32mm and traditional hole pattern
- Lever disconnect for easy drawer removal
- Non-handed design
- Recommended maximum drawer width 24"

Mounting: Side

Action: Telescopic movement on ball-bearings

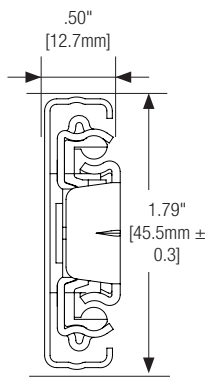
Load Rating: 100 lb. class

Height: 1.79" [45.5mm]

Clearance: .50" + .03" - 0" on each side


Finish: Zinc (ZC)

Profile:



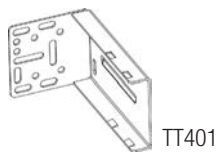
Configurations

Bulk (B)	10 pairs per carton without screws	
Quantity (Q)	20 cabinet members per carton, 100 drawer members per carton	
DUR4500 Zinc (ZC) Finish		
Size	Bulk (B)	Quantity (Q)*
250mm	DUR45B 250	DUR45Q 250
300mm	DUR45B 300	DUR45Q 300
350mm	DUR45B 350	DUR45Q 350
400mm	DUR45B 400	DUR45Q 400
450mm	DUR45B 450	DUR45Q 450
500mm	DUR45B 500	DUR45Q 500
550mm	DUR45B 550	DUR45Q 550
600mm	DUR45B 600	DUR45Q 600
650mm	DUR45B 650	DUR45Q 650
700mm	DUR45B 700	DUR45Q 700

Recommended Fasteners		KV Part	Finish	Qty
	#7 x 1/2" Phillips Pan Head	8500-93	Zinc (ZC)	1000

* Drop Ship Full Container - full pallet quantities vary by size.

Mounting Brackets



Product	Front or Rear	Finish	Pack
TT401	Rear	Zinc (ZC)	200 (10 Inner Boxes of 20 Brackets) Pallet Qty: 9,600 each
TT401B	Rear	Zinc (ZC)	200 (200 Loose Brackets) Pallet Qty: 9,600 each



Undermount Drawer Slides

KV GSlide GS2070 Full Extension Undermount Drawer Slide 31
 MuV+ Full Extension Undermount Drawer Slide. 32
 MuV+34 Full Extension Undermount Drawer Slide. 33
 MuV+HD Heavy-Duty Full Extension Undermount Drawer Slide. 34
 MuV+34HD Heavy-Duty Full Extension Undermount Drawer Slide. 35

	Mounting Style	Load Class	Type	Extension			Disconnect Type				Open/Close Features		
				Undermount	3/4 Extension	Full Extension	1" Over Travel	No Disconnect	Friction Release	Lever Release	Quick Disconnect	Lift Out	Hold In Anti-Rebound
GS2070	Under	75	•	•	•			•			•	•	•
MuV+	Under	75	•	•	•			•			•	•	•
MuV+34	Under	75	•	•	•			•			•	•	•
MuV+HD	Under	120	•	•	•			•			•	•	•
MuV+34HD	Under	120	•	•	•			•			•	•	•

KV GSlide® GS2070 Full Extension Undermount Drawer Slide

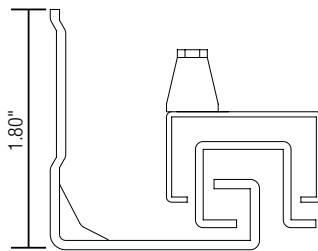


Features

- For use with drawer material thickness from 1/2" to 5/8"
- 32mm hole pattern matches existing industry standards
- Full extension travel

Mounting: Undermount
Action: Telescopic action
Load Rating: 75 lb. class
Height: 1.80" [45.7mm]
Finish: Zinc (ZC)

Profile:



Configurations



Bulk (B)	6 pairs per carton without screws
2070 Zinc (ZC) Finish	
Size	Bulk (B)
9"	KVGS-2070B 9
12"	KVGS-2070B 12
15"	KVGS-2070B 15
18"	KVGS-2070B 18
21"	KVGS-2070B 21

Recommended Fasteners

	#7 x 5/8" Flat Head Slide Mounting Screws
	#7 x 3/4" Flat Head Front Mounting Clip Screws

Mounting Brackets



2070-RBP Plastic Rear Mounting Bracket
All Lengths

2070-RBM Metal Rear Mounting Bracket
All Lengths

Product	Description	Carton Quantity
2070-RBP	Plastic rear mounting brackets	60
2070-RBM	Metal rear mounting brackets	60

Release Levers



2070-2D-RL

Release Lever Adjustment

Part Number	Height	Side-to-Side	Carton Quantity
2070-2D-RL	+ 1/8" [3mm]	± 1/16" [1.5mm]	30

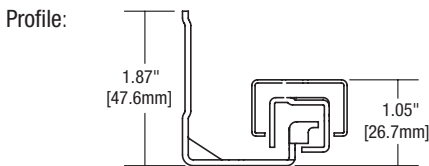
MuV+ Full Extension Undermount Drawer Slide



Features

- For use with drawer material thickness from 1/2" to 5/8"
- 32mm hole pattern matches existing industry standards
- Full extension travel
- Redesigned pivoting latch increases sound dampening for a quieter close
- Updated soft-close module allows pull-force adjustment to maintain smooth operation
- Five release levers allow adjustments in installed drawers
- Bottom mounting holes for flat surface mounting

Mounting: Undermount
Action: Telescopic action
Load Rating: 75 lb. class
Height: 1.87" [47.6mm]
Finish: Zinc (ZC)



Release Levers



Release Lever Adjustment

Part Number	Height	Side-to-Side	In/Out
MUV1D-RL	+ 1/8" [3mm]	–	–
MUV2D-RL	+ 1/8" [3mm]	± 1/16" [1.5mm]	–
MUV3D-RL	+ 1/8" [3mm]	± 1/16" [1.5mm]	+ 3/32" [2.5mm]
MUV1DF-RL	+ 1/8" [3mm]	–	–
MUV2DF-RL	+ 1/8" [3mm]	± 1/16" [1.5mm]	–

Configurations



Bulk (B)	9"–12": 4 pairs per carton without screws
	14"–22": 6 pairs per carton without screws
MuV+ Zinc (ZC) Finish	
Size	Bulk (B)
9"	MUVAB 9
10"	MUVAB 10
12"	MUVAB 12
14"	MUVAB 14
15"	MUVAB 15
16"	MUVAB 16
18"	MUVAB 18
20"	MUVAB 20
21"	MUVAB 21
22"	MUVAB 22

Recommended Fasteners	KV Part	Finish	Qty	
	#7 x 5/8" Slide Mounting Screws	MUV-122	Zinc (ZC)	100
	#6 x 1/2" Front Mounting Clip Screws	MUV-123	Zinc (ZC)	100

Optimal Operation Guidelines for Drawer Width Based on Drawer Height	
Drawer Height	Maximum Width
Up to 6"	Slide length + 10"
Greater than 6"	Slide length + 10" or 28", whichever is less
Greater than 8"	Slide length + 10" or 24", whichever is less
Greater than 10"	Slide length + 10" or 21", whichever is less

Mounting Brackets & Installation Jig



MUV-RBP Plastic Rear Mounting Bracket
 Sizes 9–12"

MUV-RBM Metal Rear Mounting Bracket
 Sizes 14"+

MUV-124 Installation Jig

Product	Description	Carton Quantity
MUV-RBP	Plastic rear mounting brackets (sizes 9–12")	8 (4L, 4R)
MUV-RBM	Metal rear mounting brackets (sizes 14"+)	12 (non-handed)
MUV-124	Installation jig	1

MuV+34 Full Extension Undermount Drawer Slide

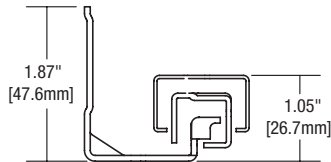


Features

- For use with drawer material thickness from 5/8" to 3/4"
- 32mm hole pattern matches existing industry standards
- Full extension travel
- Redesigned pivoting latch increases sound dampening for a quieter close
- Updated soft-close module allows pull-force adjustment to maintain smooth operation
- Five release levers allow adjustments in installed drawers
- Bottom mounting holes for flat surface mounting

Mounting: Undermount
Action: Telescopic action
Load Rating: 75 lb. class
Height: 1.87" [47.6mm]
Finish: Zinc (ZC)

Profile:



Release Levers



Release Lever Adjustment

Part Number	Height	Side-to-Side	In/Out
MUV1D-RL	+ 1/8" [3mm]	–	–
MUV2D-RL	+ 1/8" [3mm]	± 1/16" [1.5mm]	–
MUV3D-RL	+ 1/8" [3mm]	± 1/16" [1.5mm]	+ 3/32" [2.5mm]
MUV1DF-RL	+ 1/8" [3mm]	–	–
MUV2DF-RL	+ 1/8" [3mm]	± 1/16" [1.5mm]	–

Configurations



Bulk (B)	9"–12": 4 pairs per carton without screws
	14"–22": 6 pairs per carton without screws
MuV+34 Zinc (ZC) Finish	
Size	Bulk (B)
9"	MUV34AB 9
10"	MUV34AB 10
12"	MUV34AB 12
14"	MUV34AB 14
15"	MUV34AB 15
16"	MUV34AB 16
18"	MUV34AB 18
20"	MUV34AB 20
21"	MUV34AB 21
22"	MUV34AB 22

Recommended Fasteners	KV Part	Finish	Qty	
	#7 x 5/8" Slide Mounting Screws	MUV-122	Zinc (ZC)	100
	#6 x 1/2" Front Mounting Clip Screws	MUV-123	Zinc (ZC)	100

Optimal Operation Guidelines for Drawer Width Based on Drawer Height	
Drawer Height	Maximum Width
Up to 6"	Slide length + 10"
Greater than 6"	Slide length + 10" or 28", whichever is less
Greater than 8"	Slide length + 10" or 24", whichever is less
Greater than 10"	Slide length + 10" or 21", whichever is less

Mounting Brackets & Installation Jig



MUV-RBP Plastic Rear Mounting Bracket
 Sizes 9–12"

MUV-RBM Metal Rear Mounting Bracket
 Sizes 14" +

MUV-124 Installation Jig

Product	Description	Carton Quantity
MUV-RBP	Plastic rear mounting brackets (sizes 9–12")	8 (4L, 4R)
MUV-RBM	Metal rear mounting brackets (sizes 14" +)	12 (non-handed)
MUV-124	Installation jig	1

MuV+HD Heavy-Duty Full Extension Undermount Drawer Slide

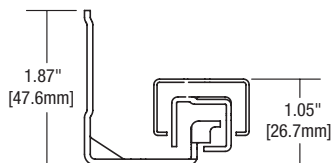


Features

- For use with drawer material thickness from 1/2" to 5/8"
- Industry standard 32mm mounting hole pattern
- Recommended maximum drawer width 42"
- Redesigned pivoting latch increases sound dampening for a quieter close
- Updated soft-close module allows pull-force adjustment to maintain smooth operation
- Five release levers allow adjustments in installed drawers
- Bottom mounting holes for flat surface mounting


Mounting: Undermount
Load Rating: 120 lb. class
Height: 1.87" [47.6mm]
Finish: Zinc (ZC)

Profile:



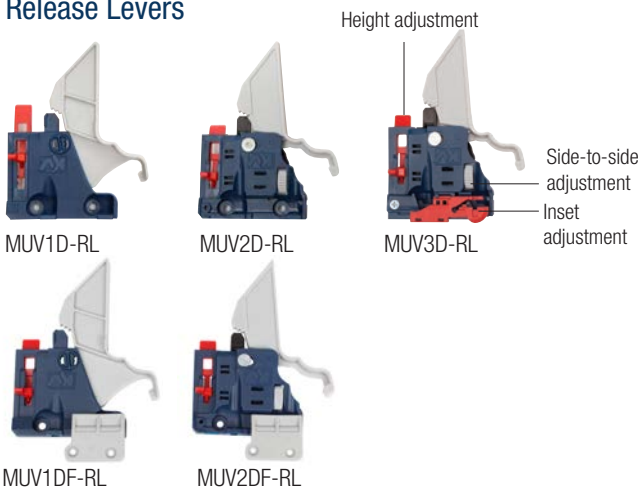
Configurations

Bulk (B)	4 pairs per carton without screws
MuV+HD Zinc (ZC) Finish	
Size	Bulk (B)
18"	MUVHDAB 18
20"	MUVHDAB 20
21"	MUVHDAB 21
22"	MUVHDAB 22
24"	MUVHDAB 24
27"	MUVHDAB 27
30"	MUVHDAB 30

Recommended Fasteners	KV Part	Finish	Qty
 #7 x 5/8" Flathead Wood Screws	MUV-122	Zinc (ZC)	100
#6 x 1/2" Truss Head Wood Screws	MUV-123	Zinc (ZC)	100

Note: MuV+HD and MuV+34HD Face-Frame applications must be blocked out.

Release Levers



Release Lever Adjustment

Part Number	Height	Side-to-Side	In/Out
MUV1D-RL	+ 1/8" [3mm]	–	–
MUV2D-RL	+ 1/8" [3mm]	± 1/16" [1.5mm]	–
MUV3D-RL	+ 1/8" [3mm]	± 1/16" [1.5mm]	+ 3/32" [2.5mm]
MUV1DF-RL	+ 1/8" [3mm]	–	–
MUV2DF-RL	+ 1/8" [3mm]	± 1/16" [1.5mm]	–

Installation Jig



MUV-124
Installation Jig

Product	Description	Carton Quantity
MUV-124	Installation jig	1

MuV+ 34HD Heavy-Duty Full Extension Undermount Drawer Slide



Features

- For use with drawer material thickness from 5/8" to 3/4"
- Industry standard 32mm mounting hole pattern
- Recommended maximum drawer width 42"
- Redesigned pivoting latch increases sound dampening for a quieter close
- Updated soft-close module allows pull-force adjustment to maintain smooth operation
- Five release levers allow adjustments in installed drawers
- Bottom mounting holes for flat surface mounting

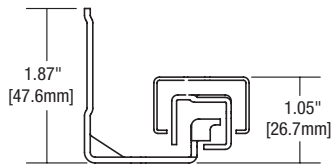
Mounting: Undermount

Load Rating: 120 lb. class

Height: 1.87" [47.6mm]

Finish: Zinc (ZC)

Profile:



Configurations

Bulk (B)	4 pairs per carton without screws
MuV+34HD Zinc (ZC) Finish	
Size	Bulk (B)
18"	MUV34HDAB 18
20"	MUV34HDAB 20
21"	MUV34HDAB 21
22"	MUV34HDAB 22
24"	MUV34HDAB 24
27"	MUV34HDAB 27
30"	MUV34HDAB 30

Recommended Fasteners	KV Part	Finish	Qty	
	#7 x 5/8" Flathead Wood Screws	MUV-122	Zinc (ZC)	100
	#6 x 1/2" Truss Head Wood Screws	MUV-123	Zinc (ZC)	100

Note: MuV+HD and MuV+34HD Face-Frame applications must be blocked out.

Release Levers



Release Lever Adjustment

Part Number	Height	Side-to-Side	In/Out
MUV1D-RL	+ 1/8" [3mm]	–	–
MUV2D-RL	+ 1/8" [3mm]	± 1/16" [1.5mm]	–
MUV3D-RL	+ 1/8" [3mm]	± 1/16" [1.5mm]	+ 3/32" [2.5mm]
MUV1DF-RL	+ 1/8" [3mm]	–	–
MUV2DF-RL	+ 1/8" [3mm]	± 1/16" [1.5mm]	–

Installation Jig



MUV-124
Installation Jig

Product	Description	Carton Quantity
MUV-124	Installation jig	1



Heavy-Duty Drawer Slides

6500, 6505 Box or File Drawer Slide 37

8500, 8505 Heavy-Duty File or Lateral Drawer Slides 38

8520, 8525 Extra Heavy-Duty File or Lateral Drawer Slides 39

8600, 8605 Heavy-Duty Drawer Slide. 40

8620, 8625 Metal Cabinet and Drawer Slide 41

8650FM, 8655FM Heavy-Duty Soft-Close Drawer Slide. 42

8810, 8815 Heavy-Duty Drawer Slide. 43

8820, 8825 Heavy-Duty Metal Cabinet and Drawer Slide 44

8900 Extra Heavy-Duty Full Extension Drawer Slide. 45

8908, 8909, 8910 Extra Heavy-Duty Full Extension Locking Drawer Slides . . 46

	Mounting Style	Load Class	Type		3/4 Extension	Full Extension	1" Over Travel	No Disconnect	Friction Release	Lever Release	Quick Disconnect	Lift Out	Open/Close Features				
			Roller Bearing	Ball-Bearing									Hold In Anti-Rebound	Hold-Out / Open	Lock Open	Lock Closed	Soft-Close
6500	Side	125	•		•				•								
6505	Side	125	•		•				•								
8500	Side	150	•		•								•	•			
8505	Side	150	•		•								•	•			
8520	Side	175	•		•								•	•			
8525	Side	175	•		•								•	•			
8600	Side	150	•		•				•								
8605	Side	140	•		•				•								
8620	Side	150	•		•				•					•			
8625	Side	140	•		•				•					•			
8650FM	Side	150	•		•				•								•
8655FM	Side	140	•		•				•								•
8810	Side	200	•		•				•					•			
8815	Side	190	•		•				•					•			
8820	Side	200	•		•				•					•			
8825	Side	190	•		•				•					•			
8900	Side	150-500	•		•		•										
8908	Side	150-500	•		•		•									•	•
8909	Side	150-500	•		•		•									•	
8910	Side	150-500	•		•		•										•

6500, 6505 Box or File Drawer Slide



Features

- Lever disconnect for easy drawer removal
- Closed position hold-in detent
- Non-handed design
- Recommended maximum drawer width 30"

Extension: 6500: Full Extension
6505: 1" Over Travel

Mounting: Side

Action: Telescopic movement on ball-bearings

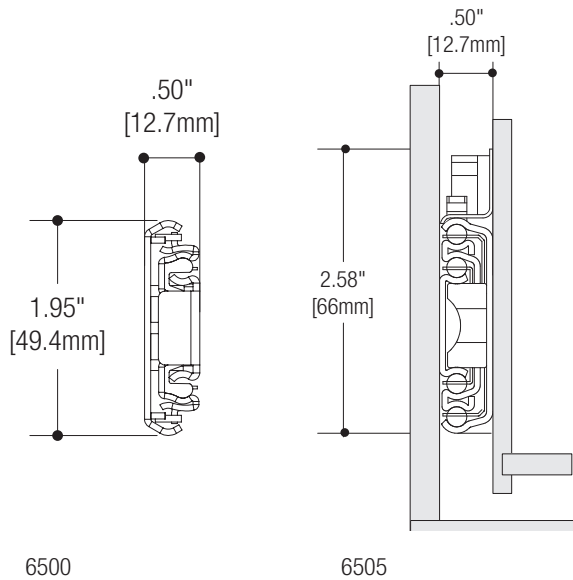
Load Rating: 6500: 125 lb. class
6505: 120 lb. class

Height: 1.95" [49.4mm]

Clearance: .50" + .03" - 0" on each side

Finish: Zinc (ZC)

Profile:



Configurations

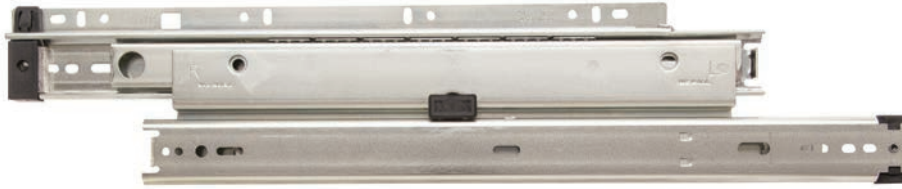


Bulk (B)	5 pairs per carton without screws
6500 Zinc (ZC) Finish	
Size	Bulk (B)
12"	6500B 12
14"	6500B 14
16"	6500B 16
18"	6500B 18
20"	6500B 20
22"	6500B 22
24"	6500B 24
26"	6500B 26
28"	6500B 28
6505 Zinc (ZC) Finish	
Size	Bulk (B)
12"	6505B 12
14"	6505B 14
16"	6505B 16
18"	6505B 18
20"	6505B 20
22"	6505B 22
24"	6505B 24
26"	6505B 26
28"	6505B 28

Recommended Fasteners

	#7 x 1/2" Wood Screws
---	-----------------------

8500, 8505 Heavy-Duty File or Lateral Drawer Slides



Features

- 32mm hole pattern
- Non-handed quick disconnect drawer members
- Hold-in feature to prevent bounce back
- Recommended maximum drawer width
8500: 36"
8505: 30"

Extension: 8500: Full extension
8505: 1.25" over travel

Mounting: Side

Action: Progressive movement on ball-bearings

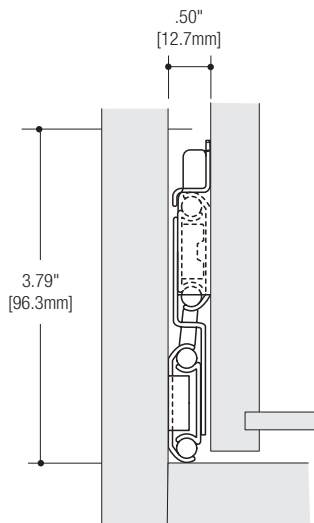
Load Rating: 150 lb. class

Height: 3.79" [96.3mm] (includes quick disconnect rail)

Clearance: .50" + .03" - 0" on each side

Finish: Anochrome (ANO)

Profile:



Configurations



Bulk (B)	5 pairs per carton without screws
Poly (P)	1 pair per bag with screws; 5 pairs per carton
Quantity (Q)	10 pairs without screws; multiple cartons

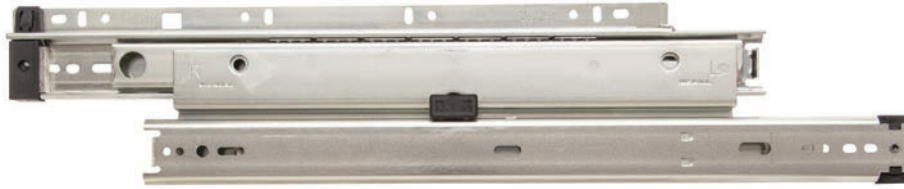
8500 Anochrome (ANO) Finish			
Size	Bulk (B)	Poly (P)	Quantity (Q)
12"	8500B 12	8500P 12	8500Q 12
14"	8500B 14	8500P 14	8500Q 14
16"	8500B 16	8500P 16	8500Q 16
18"	8500B 18	8500P 18	8500Q 18
20"	8500B 20	8500P 20	8500Q 20
22"	8500B 22	8500P 22	8500Q 22
24"	8500B 24	8500P 24	8500Q 24
26"	8500B 26	8500P 26	8500Q 26
28"	8500B 28	8500P 28	8500Q 28
30"	8500B 30	8500P 30	8500Q 30

8505 Anochrome (ANO) Finish			
Size	Bulk (B)	Poly (P)	Quantity (Q)
12"	8505B 12	8505P 12	8505Q 12
14"	8505B 14	8505P 14	8505Q 14
16"	8505B 16	8505P 16	8505Q 16
18"	8505B 18	8505P 18	8505Q 18
20"	8505B 20	8505P 20	8505Q 20
22"	8505B 22	8505P 22	8505Q 22
24"	8505B 24	8505P 24	8505Q 24
26"	8505B 26	8505P 26	8505Q 26
28"	8505B 28	8505P 28	8505Q 28
30"	8505B 30	8505P 30	8505Q 30

Recommended Fasteners	KV Part	Finish	Qty
#7 x 1/2" Phillips Pan Head Screws	8500-93	Zinc (ZC)	1000

☐ Non-stock item – minimum order quantities and additional lead time may apply.

8520, 8525 Extra Heavy-Duty File or Lateral Drawer Slides



Features

- 32mm hole pattern
- Non-handed quick disconnect drawer members
- Hold-in feature to prevent bounce back
- Recommended maximum drawer width
8520: 42"
8525: 36"

Extension: 8520: Full extension
8525: 1.25" over travel

Mounting: Side

Action: Progressive movement on ball-bearings

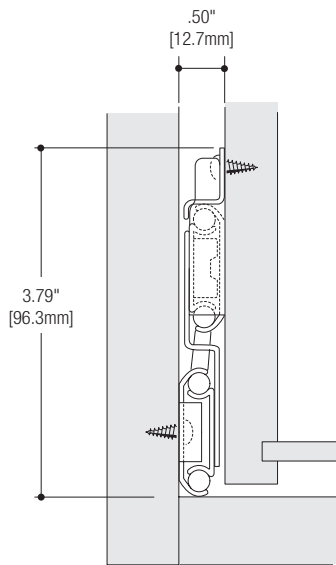
Load Rating: 175 lb. class

Height: 3.79" [96.3mm] (includes quick disconnect rail)

Clearance: .50" + .03" - 0" on each side

Finish: Anochrome (ANO)

Profile:



Configurations

Poly (P)	1 pair per bag with screws; 5 pairs per carton
8520 Anochrome (ANO) Finish	
Size	Poly (P)
16"	8520P 16
18"	8520P 18
20"	8520P 20
8525 Anochrome (ANO) Finish	
16"	8525P 16
18"	8525P 18
20"	8525P 20

Recommended Fasteners		KV Part	Finish	Qty
	#7 x 1/2" Phillips Pan Head Screws	8500-93	Zinc (ZC)	1000

Non-stock item – minimum order quantities and additional lead time may apply.

8600, 8605 Heavy-Duty Drawer Slide



Features

- Butterfly lever disconnect
- Non-handed design
- Recommended maximum drawer width 36"

Extension: 8600: Full Extension
8605: 1" Over Travel

Mounting: Side

Action: Telescopic movement on ball-bearings

Load Rating (based on application):

Load: 8600: 150 lb. class

8605: 140 lb. class

Max. Drawer Width: 36"

Slides: 18"

Drawer Width: 36"

Cycles: 50,000 (center pull)

Load: 8600: 200 lb.

8605: 190 lb.

Max. Drawer Width: 18"

Slides: 18"

Drawer Width: 18"

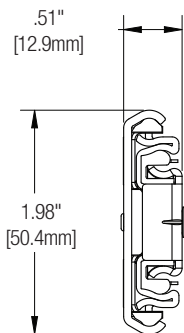
Cycles: 25,000 (center pull)

Height: 1.98" [50.4mm]

Clearance: .51" + .01"- 0" on each side

Finish: Zinc (ZC)


Profile:



Configurations



Bulk (B)	5 pairs per carton without screws
8600 Zinc (ZC) Finish	
Size	Bulk (B)
12"	8600B 12
14"	8600B 14
16"	8600B 16
18"	8600B 18
20"	8600B 20
22"	8600B 22
24"	8600B 24
26"	8600B 26
28"	8600B 28
8605 Zinc (ZC) Finish	
Size	Bulk (B)
12"	8605B 12
14"	8605B 14
16"	8605B 16
18"	8605B 18
20"	8605B 20
22"	8605B 22
24"	8605B 24
26"	8605B 26
28"	8605B 28

Recommended Fasteners	
	#7 x 1/2" Truss Head Screws

8620, 8625 Metal Cabinet and Drawer Slide

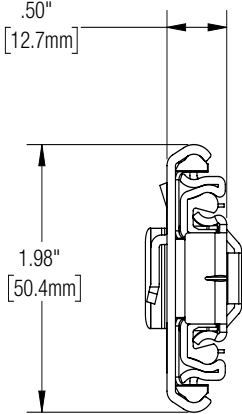


Features

- Bayonet and Belt Loop Mount
- Lever disconnect for easy drawer removal
- Recommended maximum drawer width 36"

Extension: 8620: Full Extension
 8625: 1" Over Travel
Mounting: Side (Bayonet and Belt Loop)
Action: Telescopic action on ball-bearings
Load Rating: 8620: 150 lb. class
 8625: 140 lb. class
Height: 1.98" [50.4mm]
Clearance: .51" + .01" - 0" on each side
Finish: Zinc (ZC)

Profile:



Configurations

Quantity (Q)	10 pairs; multiple cartons
8620 Zinc (ZC) Finish	
Size	Quantity (Q)
14"	8620Q 14
16"	8620Q 16
18"	8620Q 18
20"	8620Q 20
22"	8620Q 22
24"	8620Q 24
26"	8620Q 26
28"	8620Q 28
8625 Zinc (ZC) Finish	
Size	Quantity (Q)
14"	8625Q 14
16"	8625Q 16
18"	8625Q 18
20"	8625Q 20
22"	8625Q 22
24"	8625Q 24
26"	8625Q 26
28"	8625Q 28

☐ Non-stock item – minimum order quantities and additional lead time may apply.

8650FM, 8655FM Heavy-Duty Soft-Close Drawer Slide



Features

- Patented Force Management (FM) Soft-Close Technology
- Butterfly lever disconnect
- Non-handed design
- Recommended maximum drawer width 36"

Extension: 8650FM: Full Extension
8655FM: 1" Over Travel

Mounting: Side

Action: Telescopic movement on ball-bearings

Load Rating: 8650FM: 150 lb. class

8655FM: 140 lb. class

Max. Drawer Width: 36"

Slides: 18"

Drawer Width: 36"

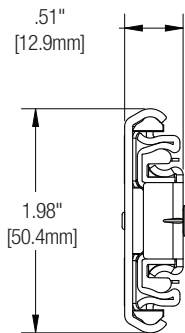
Cycles: 50,000 (center pull)

Height: 1.98" [50.4mm]

Clearance: .51" + .01"- 0" on each side


Finish: Zinc (ZC)

Profile:



Configurations

Bulk (B)	5 pairs per carton without screws
8650 Zinc (ZC) Finish	
Size	Bulk (B)
14"	8650FMB 14
16"	8650FMB 16
18"	8650FMB 18
20"	8650FMB 20
22"	8650FMB 22
24"	8650FMB 24
26"	8650FMB 26
28"	8650FMB 28
8655 Zinc (ZC) Finish	
Size	Bulk (B)
18"	8655FMB 18
20"	8655FMB 20
22"	8655FMB 22
24"	8655FMB 24
26"	8655FMB 26
28"	8655FMB 28

Recommended Fasteners	
	#7 x 1/2" Truss Head Screws

14" and 16" less than full extension
14" extension = 11"; 16" extension = 15"

8810, 8815 Heavy-Duty Drawer Slide



Features

- Non-handed design for easy installation
- Closed-position hold-in detent
- Butterfly lever release
- Recommended maximum drawer width 42"

Extension: 8810: Full Extension
8815: 1" Over Travel

Mounting: Side

Action: Telescopic movement on ball-bearings

Load Rating: 8810: 200 lb. class

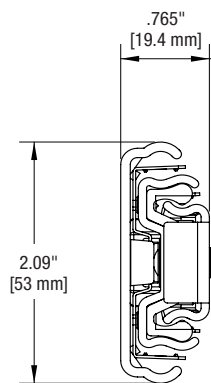
- 8815: 190 lb. class
- 100 lb. flat mount rating

Height: 2.09" [53mm]


Clearance: .765" + .02" - .01" on each side

Finish: Zinc (ZC)

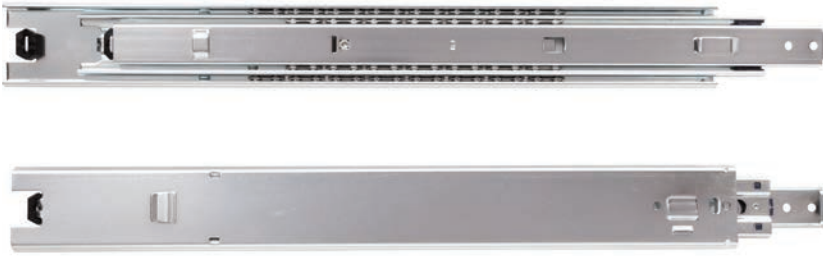
Profile:



Configurations

Bulk (B)	4 pairs per carton without screws
8810 Zinc (ZC) Finish	
Size	Bulk (B)
10"	8810B 10
12"	8810B 12
14"	8810B 14
16"	8810B 16
18"	8810B 18
20"	8810B 20
22"	8810B 22
24"	8810B 24
26"	8810B 26
28"	8810B 28
8815 Zinc (ZC) Finish	
Size	Bulk (B)
12"	8815B 12
14"	8815B 14
16"	8815B 16
18"	8815B 18
20"	8815B 20
22"	8815B 22
24"	8815B 24
26"	8815B 26
28"	8815B 28
Recommended Fasteners	
	#8 or #10 x 5/8" Phillips Flathead

8820, 8825 Heavy-Duty Metal Cabinet and Drawer Slide



Features

- Bayonet and Belt Loop Mount
- Lever disconnect for easy drawer removal
- Recommended maximum drawer width 42"

Extension: 8820: Full Extension
8825: 1" Over Travel

Mounting: Side (Bayonet and Belt Loop)

Action: Telescopic action on ball-bearings

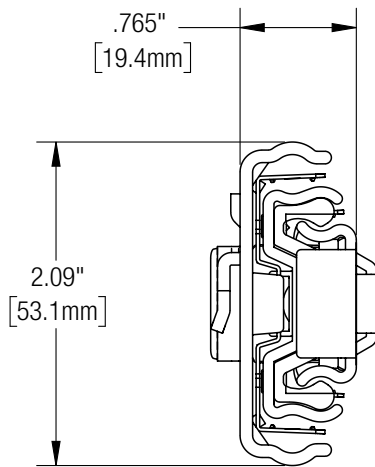
Load Rating: 8820: 200 lb. class
8825: 190 lb. clas

Height: 2.09" [53mm]

Clearance: .765" + .02" - .01" on each side

Finish: Zinc (ZC)

Profile:



Configurations

Quantity (Q)	5 pairs; multiple cartons
8820 Zinc (ZC) Finish	
Size	Quantity (Q)
14"	8820Q 14
16"	8820Q 16
18"	8820Q 18
20"	8820Q 20
22"	8820Q 22
24"	8820Q 24
26"	8820Q 26
28"	8820Q 28
8825 Zinc (ZC) Finish	
Size	Quantity (Q)
14"	8825Q 14
16"	8825Q 16
18"	8825Q 18
20"	8825Q 20
22"	8825Q 22
24"	8825Q 24
26"	8825Q 26
28"	8825Q 28

■ Non-stock item – minimum order quantities and additional lead time may apply.

8900 Extra Heavy-Duty Full Extension Drawer Slide



Features

- Heavy-Duty stops are designed to withstand rough use
- Non-handed design for easy installation
- Full extension travel
- Non-disconnect

Mounting: Side

Action: Telescopic movement on ball-bearings

Load Rating: 100–500 lb. class depending on application

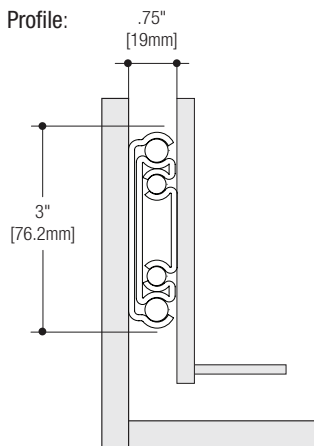
- 100 lb. flat mount rating

Height: 3" [76.2mm]

Clearance: .75" + .03" - 0" on each side

Finish: Zinc (ZC)

Profile:



Configurations



Bulk (B)	10" – 20": 4 pairs per carton; 22" – 28": 3 pairs per carton 30" – 36": 2 pairs per carton; 40" – 60": 1 pair per carton	
Poly (P)	10" – 20": 4 pairs per carton; 22" – 28": 3 pairs per carton 30" – 36": 2 pairs per carton	
8900 Zinc (ZC) Finish		
Size	Bulk (B)	Poly (P)
10"	8900B 10	8900P 10
12"	8900B 12	8900P 12
14"	8900B 14	8900P 14
16"	8900B 16	8900P 16
18"	8900B 18	8900P 18
20"	8900B 20	8900P 20
22"	8900B 22	8900P 22
24"	8900B 24	8900P 24
26"	8900B 26	8900P 26
28"	8900B 28	8900P 28
30"	8900B 30	8900P 30
32"	8900B 32	8900P 32
34"	8900B 34	8900P 34
36"	8900B 36	8900P 36
40"	8900B 40	–
42"	8900B 42	–
44"	8900B 44	–
48"	8900B 48	–
60"	8900B 60	–

Recommended Fasteners

	1/4" [M6 Euro] flat, hex or pan head screw for 0.26" [6.6mm] cabinet member hole
	1/4" [M6 Euro] hex or pan head screw for 0.26" [6.6mm] drawer member hole
	#10 [M5 Euro] flat, hex or pan head screw for 0.20" [5.2mm] cabinet member hole
	#10 [M5 Euro] hex or pan head screw for 0.20" [5.2mm] drawer member hole

Load Rating Chart

Load Rating	Test Condition	Open/Close Cycle Tested
500 lb.	18" slide in 18" width drawer	10,000
400 lb.	18" slide in 42" width drawer	30,000
300 lb.	18" slide in 36" width drawer	75,000
100 lb. flat load	18" slide in 32" width drawer	10,000

Note: This slide must never be used as a pull-out step, platform, or any other application supporting human weight as injury may result.

8908, 8909, 8910 Extra Heavy-Duty Full Extension Locking Drawer Slides



Features

- Automatic lock-in/lock-out feature
- Intuitive uni-directional release/closure
- Removable, ergonomic handle
- Spring-activated latches for vertical and horizontal mounting
- Non-disconnect

Extension: 8908: Extra Heavy-Duty full extension lock-in/lock-out slide
 8909: Extra Heavy-Duty full extension lock-out only slide
 8910: Extra Heavy-Duty full extension lock-in only slide

Mounting: Side or flat mount

Action: Telescopic movement on ball-bearings

Load Rating: 100–500 lb. class depending on application

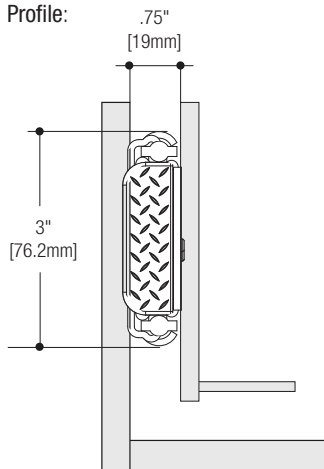
- 100 lb. flat mount rating

Height: 3" [76.2mm]

Clearance: .75" + .03" - 0" on each side

Finish: Zinc (ZC)

Profile:



Configurations

Bulk (B)	10" – 20": 8 slides per carton without screws 22" – 28": 6 slides per carton without screws 30" – 36": 4 slides per carton without screws 40", 42", 44", 48", 60": 2 slides per carton without screws Each slide is poly-bagged with instructions included Sold per slide, not pair		
8908, 8909 & 8910 Zinc (ZC) Finish			
Size	8908 Lock-in/Lock-out	8909 Lock-out Only	8910 Lock-in Only
10"	–	8909B 10	8910B 10
12"	8908B 12	8909B 12	8910B 12
14"	8908B 14	8909B 14	8910B 14
16"	8908B 16	8909B 16	8910B 16
18"	8908B 18	8909B 18	8910B 18
20"	8908B 20	8909B 20	8910B 20
22"	8908B 22	8909B 22	8910B 22
24"	8908B 24	8909B 24	8910B 24
26"	8908B 26	8909B 26	8910B 26
28"	8908B 28	8909B 28	8910B 28
30"	8908B 30	8909B 30	8910B 30
32"	8908B 32	8909B 32	8910B 32
34"	8908B 34	8909B 34	8910B 34
36"	8908B 36	8909B 36	8910B 36
40"	8908B 40	8909B 40	8910B 40
42"	8908B 42	8909B 42	8910B 42
44"	8908B 44	8909B 44	8910B 44
48"	8908B 48	8909B 48	8910B 48
60"	8908B 60	8909B 60	8910B 60

Note: This slide must never be used as a pull-out step, platform, or any other application supporting human weight as injury may result.

Note: The 8908 slide is designed for applications in the 100 – 500 lb. class based on application: modest use 500 lbs.; normal use 400 lbs.; vehicular use 300 lbs.; flat mount 100 lbs..

■ Non-stock item – minimum order quantities and additional lead time may apply.



Specialty Drawer Slides

6300 Corrosion Resistant Finish Drawer Slide 48
 6400 Stainless Steel Drawer Slide 49
 8000 Over Travel Undermount Pantry Drawer Slide 50
 8500T Lateral File Drawer Systems 51

	Mounting Style	Load Class	Type	Extension	Disconnect Type			Open/Close Features						
					Ball-Bearing Roller Bearing	3/4 Extension Full Extension	1" Over Travel No Disconnect	Lift Out Quick Disconnect	Hold In Anti-Rebound	Hold-Out / Open	Lock Open	Self-Close	Push-to-Open	Soft-Close
6300	Side	100		•	•		•	•						
6400	Side	100		•	•		•	•						
8000	Under	130		•		•	•	•						
8500T	Side	150		•	•		•	•						

6300 Corrosion Resistant Finish Drawer Slide



Features

- Corrosion Resistant Finish - passes 100 hour salt spray test
- USDA H-1 approved grease
- 32mm hole pattern
- Lever disconnect for easy drawer removal
- Hold-in detent
- Non-handed design
- Recommended maximum drawer width 24"

Stainless Steel Components

- Ball-Bearing Retainer
- Ball-Bearings
- Release Lever Rivets
- Fasteners (included)

Mounting: Side

Action: Telescopic movement on ball-bearings

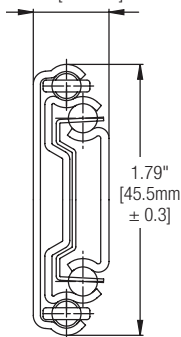
Load Rating: 100 lb. class

Height: 1.79" [45.5mm]

Clearance: .50" + .03" - 0" on each side

Finish: Corrosion Resistant (CR)

Profile: .50" [12.7mm]



Configurations



Poly (P)	1 pair per bag with screws; 10 pair per carton
6300 Corrosion Resistant (CR) Finish	
Size	Poly (P)
250mm	6300P CR 10
300mm	6300P CR 12
350mm	6300P CR 14
400mm	6300P CR 16
450mm	6300P CR 18
500mm	6300P CR 20
550mm	6300P CR 22
600mm	6300P CR 24
650mm	6300P CR 26
700mm	6300P CR 28

Recommended Fasteners

	#7 x 1/2" Stainless Steel Phillips Pan Head
---	---

Mounting Brackets



Product	Front or Rear	Finish	Pack
6340 RB	Rear	Corrosion Resistant (CR)	10 pair/carton

6400 Stainless Steel Drawer Slide



Features

- 304-Grade stainless steel
- Ideal for use in wet or corrosive environments
- USDA H-1 approved grease
- Lever disconnect
- Recommended drawer width 24"

Mounting: Side

Action: Telescopic movement on ball-bearings

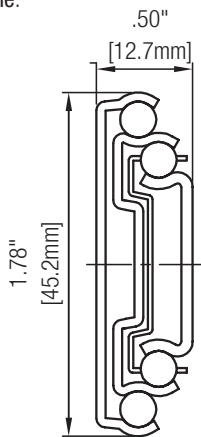
Load Rating: 100 lb. class

Height: 1.78" [45.2mm]

Clearance: .50" + .03" - 0" on each side

Finish: Stainless Steel (SS)

Profile:



Configurations



Poly (P)	1 pair per bag with screws; 10 pairs per carton
6400 Stainless Steel (SS) Finish	
Size	Poly (P)
10"	6400P SS 10
12"	6400P SS 12
14"	6400P SS 14
16"	6400P SS 16
18"	6400P SS 18
20"	6400P SS 20
22"	6400P SS 22
24"	6400P SS 24
26"	6400P SS 26
28"	6400P SS 28

Recommended Fasteners



#8 x 1/2" Stainless Steel Pan Head Screws

Mounting Brackets



Product	Front or Rear	Finish	Pack
6340 RB	Rear	Corrosion Resistant (CR)	10 pair/carton

8000 Over Travel Undermount Pantry Drawer Slide



Removable
Mounting Brackets

Features

- Removable mounting brackets
- Hold-in detent
- Key-hole style mounting holes
- 1" over travel

Mounting: Bottom mount

Action: Telescopic movement on ball-bearings

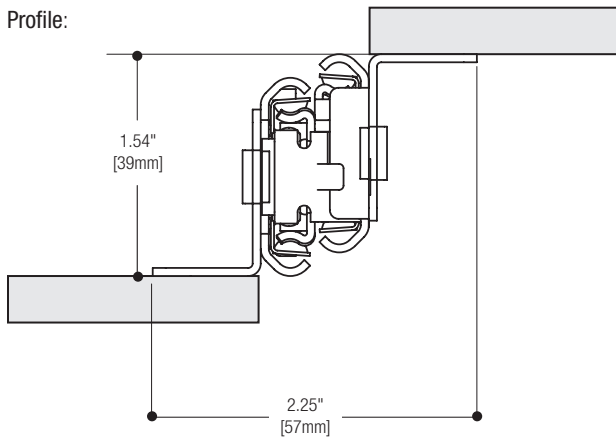
Load Rating: 130 lb. class

Height: 1.54" [39mm]
2.25" [57mm] (includes brackets)

Clearance: 3/4" (slide only); 2-1/4" (with brackets)


Finish: Anochrome (ANO)

Profile:



Configurations

Poly (P)	1 pair per bag with screws; 5 pairs per carton
8000 Anochrome (ANO) Finish	
Size	Poly (P)
12"	8000P 12
14"	8000P 14
16"	8000P 16
18"	8000P 18
20"	8000P 20
22"	8000P 22
24"	8000P 24
26"	8000P 26
28"	8000P 28

Recommended Fasteners	KV Part	Finish	Qty
 #8 x 5/8" Phillips Pan Head	200114-6	Zinc (ZC)	1000

8500T Lateral File Drawer Systems



Features

- Patented integrated anti-tilt mechanism
- Uses high-strength cable that laces through the drawer slides and snaps into place, allowing only one drawer to open at a time
- Accommodates drawers on 12" ($\pm 1/2$ ") vertical centers
- Non-handed quick disconnect rail
- Designed for use on lateral file applications where a drawer anti-tilt feature is needed
- Full extension slide with maximum 36" drawer width

Mounting: Side

Action: Progressive movement on ball-bearings

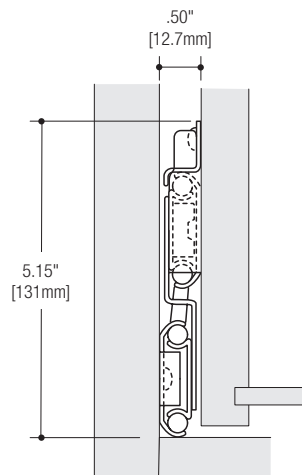
Load Rating: 150 lb. class

Height: 5.15" [131mm]

Clearance: .50" + .03" - 0" on each side


Finish: Anochrome (ANO)

Profile:



Configurations

Quantity (Q)	20 pairs without screws; multiple cartons
8500T Anochrome (ANO) Finish	
Size	Quantity (Q)
16"	8500TQ 16
18"	8500TQ 18
20"	8500TQ 20
Special Order Only	
8520T	Special Order
8525T	Special Order

Recommended Fasteners	KV Part	Finish	Qty
 #7 x 1/2" Phillips Pin Head Screws	8500-93	Zinc (ZC)	1000

8500 Interlok™ Cable Accessory

Required for 8500T Interlok anti-tilt systems.

Product	Size	Packed
8500T-11B 482	For 2-high lateral files	40 per carton
8500T-11B 789	For 3-high lateral files	40 per carton
8500T-11B 1095	For 4-high lateral files	40 per carton

Note: Custom length cables are available as special order. Consult Customer Service for information and availability.



Overhead Door and Desk Slides

- 4461D 5/8 Extension Variable Height Keyboard Slide 53
- 8150, 8157 3/4 Extension Variable Height Keyboard Slides 54
- 8250 3/4 Extension Variable Height Pencil or Center Drawer Slide 55
- 8050 Hinged Door Slide 56

	Mounting Style	Load Class	Type	Extension			Disconnect Type			Open/Close Features									
				Ball-Bearing	5/8 Extension	3/4 Extension	Full Extension	1" Over Travel	No Disconnect	Friction Release	Lever Release	Lift Out	Quick Disconnect	Hold In Anti-Rebound	Hold-Out / Open	Lock Open	Self-Close	Push-to-Open	Soft-Close
4461D	Under	75		•	•				•				•	•					•
8150	Under	75		•		•				•			•	•					
8157	Under	75		•		•				•			•	•					•
8250	Under	75		•		•				•			•						

4461D 5/8 Extension Variable Height Keyboard Slide



Features

- Mounting brackets adjust to three heights and can be reversed for in-board and out-board mounting
- Anti-rebound stay-close design holds pencil drawer in closed position yet allows for easy opening
- Integrated shelf tabs

Mounting: Under surface

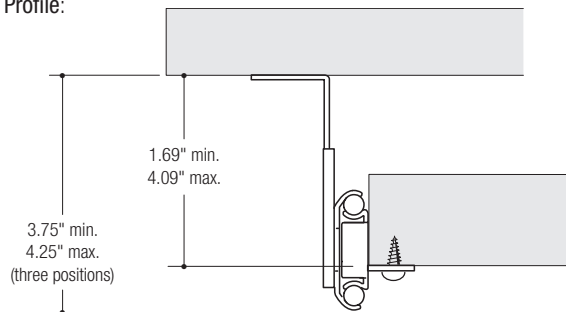
Action: Ball-bearing movement

Load Rating: 75 lb. class

Height: Overall drop height 3.75" to 4.25" in 1/2" increments

Finish: Black (BLK)

Profile:



Configurations

Poly (P)	1 pair per bag with screws; 5 pairs per carton
4461D Black (BLK) Finish	
Size	Poly (P)
15"	4461D

Recommended Fasteners

	#10 x 5/8" Phillips Pan Head
---	------------------------------

8150, 8157 3/4 Extension Variable Height Keyboard Slide



Features

- Mounting brackets adjust to seven different heights and can be reversed for in-board/out-board mounting
- Track member quickly disconnects using positive lever release, easing installation
- Hold-out feature keeps drawer securely in the open position
- Hold-in feature prevents keyboard tray bounce back

Extension: 8150: 3/4 extension keyboard slide
8157: 3/4 extension keyboard slide with shelf tabs

Mounting: Under surface

Action: Ball-bearing movement

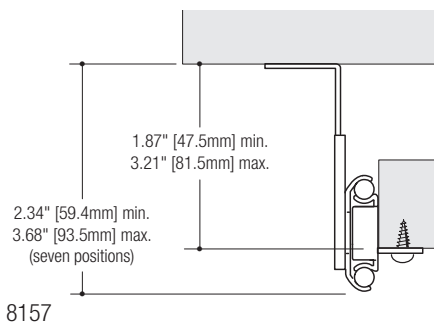
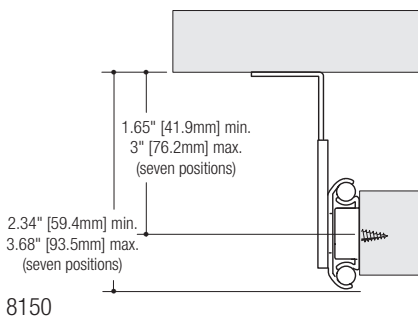
Load Rating: 75 lb. class

Height: Overall drop height adjusts from 2.34" [59.4mm] to 3.68" [93.5mm] in 7/32" increments

Clearance: 1.62" [41mm] per side out-board
.62" [15.7mm] per side in-board

Finish: Anochrome (ANO), Ebony Black (EB)


Profile:



Configurations



Poly (P)	1 pair per bag with screws; 10 pairs per carton
8150 Anochrome (ANO) Finish	
Size	Poly (P)
12"	8150P 12
14"	8150P 14
16"	8150P 16
18"	8150P 18
20"	8150P 20
8150 Ebony Black (EB) Finish	
12"	8150P EB 12
14"	8150P EB 14
16"	8150P EB 16
18"	8150P EB 18
20"	8150P EB 20
8157 Anochrome (ANO) Finish	
14"	8157P 14
16"	8157P 16
18"	8157P 18
20"	8157P 20
8157 Ebony Black (EB) Finish	
14"	8157P EB 14
16"	8157P EB 16
18"	8157P EB 18
20"	8157P EB 20

Recommended Fasteners		KV Part	Finish	Qty
	#7 x 1/2" Phillips Pan Head	8500-93	Zinc (ZC)	1000

Non-stock item – minimum order quantities and additional lead time may apply.

8250 3/4 Extension Variable Height Pencil or Center Drawer Slide



Features

- Mounting brackets adjust to seven heights and can be reversed for in-board and out-board mounting
- Anti-rebound stay-close design holds pencil drawer in closed position yet allows for easy opening
- Track member quickly disconnects using positive lever releases

Mounting: Under surface

Action: Ball-bearing movement

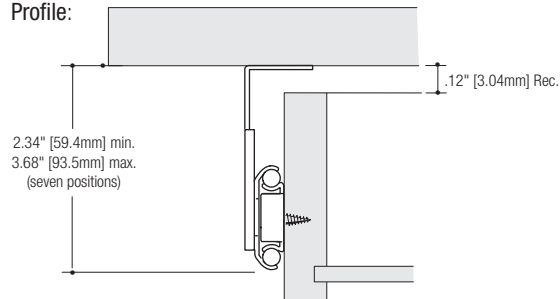
Load Rating: 75 lb. class

Height: Overall drop height 2.34" [59.4mm] to 3.68" [93.5mm] in 7/32" increments

Clearance: 1.62" [41mm] per side out-board
.53" [13.5mm] per side in-board

Finish: Anochrome (ANO)


Profile:



Configurations

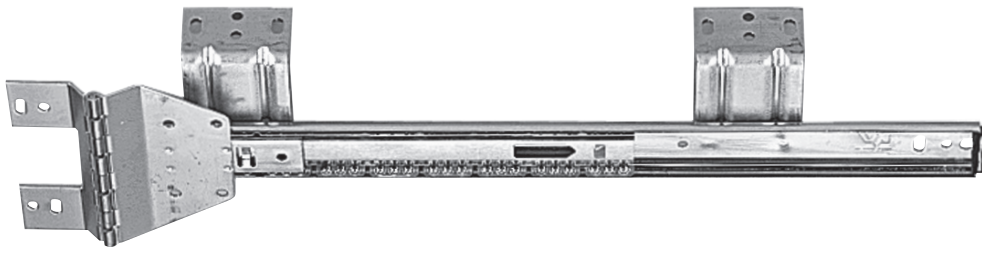


Poly (P)	1 pair per bag with screws; 10 pairs per carton	
Quantity (Q)	20 pairs without screws; multiple cartons	
8250 Anochrome (ANO) Finish		
Size	Poly (P)	Quantity (Q)
10"	8250P 10	8250Q 10
12"	8250P 12	8250Q 12
14"	8250P 14	8250Q 14
16"	8250P 16	8250Q 16
18"	8250P 18	8250Q 18
20"	8250P 20	8250Q 20
22"	8250P 22	8250Q 22

Recommended Fasteners		KV Part	Finish	Qty
	#7 x 1/2" Phillips Pan Head	8500-93	Zinc (ZC)	1000

Non-stock item – minimum order quantities and additional lead time may apply.

8050 Hinged Door Slide



Features

- One-piece, non-marring roller
- Permanently staked hinge pin

Mounting: Under surface

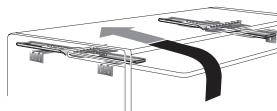
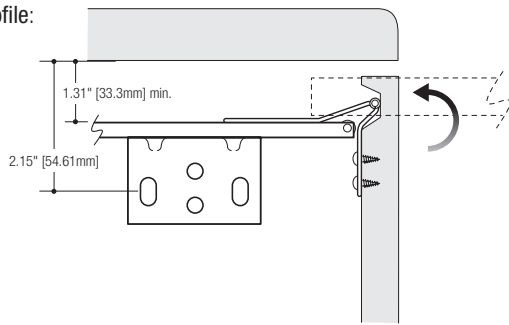
Action: Ball-bearing movement

Load Rating: 20 lb. class

Clearance: 1.31" [33.3mm] minimum

Finish: Anochrome (ANO)


Profile:



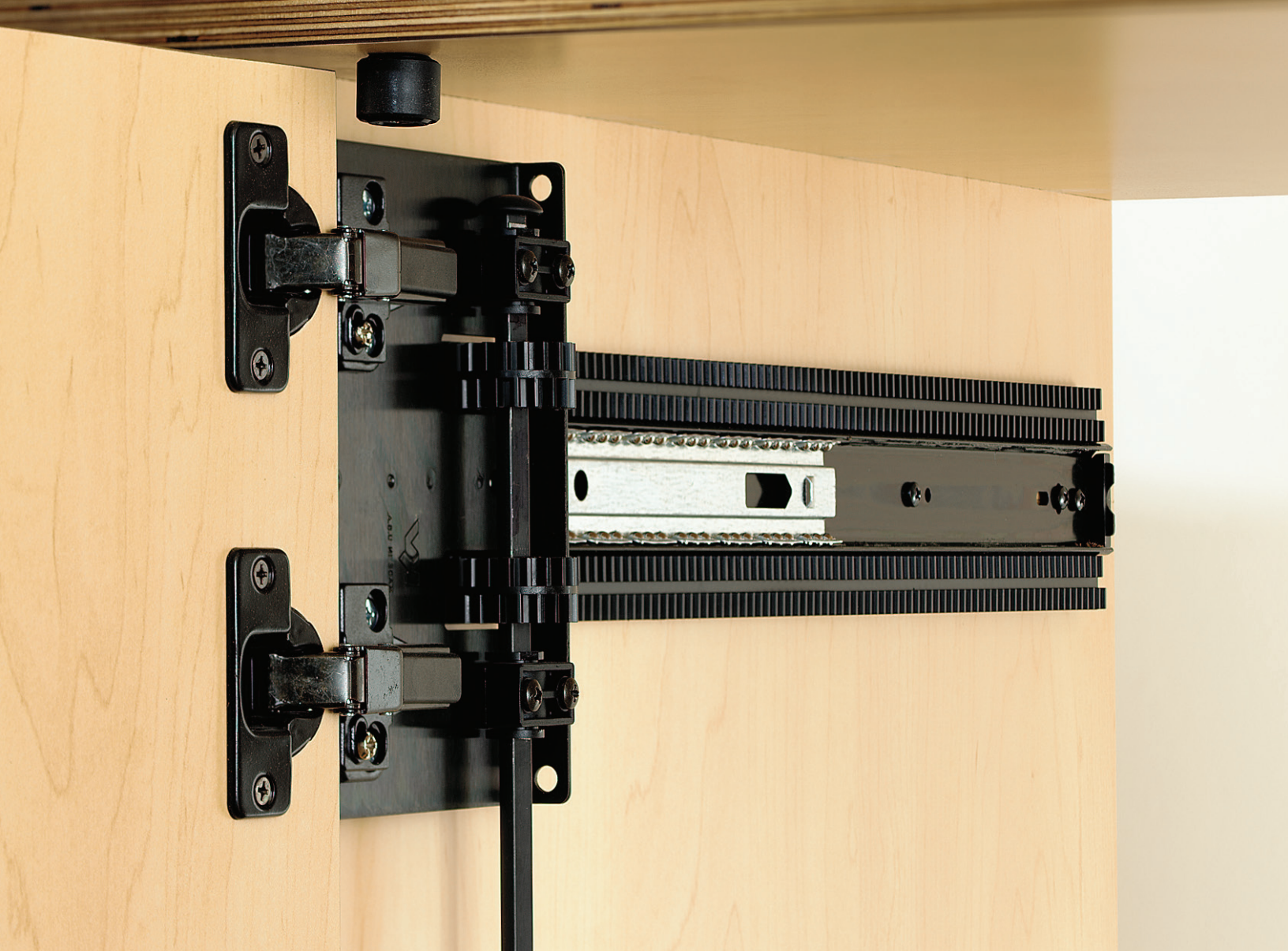
Up and under application

Configurations

Poly (P)	1 pair per bag with screws; 10 pairs per carton
8050 Anochrome (ANO) Finish	
Size	Poly (P)
12"	8050PEZ 12
14"	8050PEZ 14
16"	8050PEZ 16
18"	8050PEZ 18
20"	8050PEZ 20
22"	8050PEZ 22
24"	8050PEZ 24

Recommended Fasteners	KV Part	Finish	Qty
 #7 x 1/2" Phillips Pan Head	8500-93	Zinc (ZC)	1000

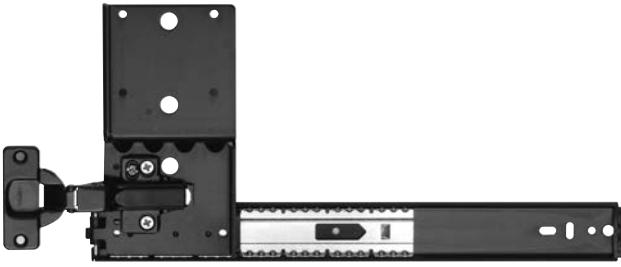
☐ Non-stock item – minimum order quantities and additional lead time may apply.



Door Slides and Hinge Kits

8070, 8071, 8072 Pivot Door Slides	58
8080, 8081, 8082 Pivot Door Slides	59
8091, 8092 Pivot Door Slides	60
4x4 Pocket Door Full Overlay Kit	61
Salice Hinge Kits	62

8070, 8071, 8072 Pivot Door Slides



Features

- Cabinet acts as installation jig
- Cushioned stops and door hold-out
- Three-way adjustable door hinge

Extension: 8070: 3/4 extension slide with self-close 35mm hinge
 8071: 3/4 extension slide without hinge and base
 8072: 3/4 extension slide with included hinge base

Mounting: Side

Action: Ball-bearing movement

Load Rating: 30 lb. class

Maximum

Dimensions: Vertical doors: 42" high x 24" wide

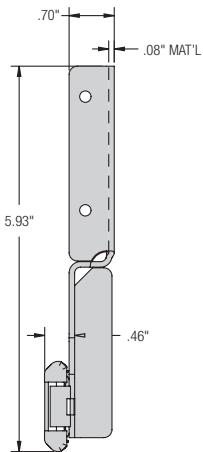
Horizontal pivot doors: 24" high x 48" wide

Clearance:

Maximum Slide Width Including Hinges		
Type	Standard	Salice
Self-close hinge	1-23/32"	1-21/32"
Free-swing hinge	1-23/32"	1-21/32"
Overlay hinge	1-23/32"	1-7/8"
Thick door hinge	2-3/32"	-
Extra-thick door hinge	2-13/32"	2-5/16"

Finish: Ebony Black (EB)

Profile:



8090P CR Raised Panel Cassette Roller



Additional protection for raised panel doors

Product	Pack
8090P CR	1 per poly pack with screws; 20 per carton

Configurations

Poly (P)		1 pair per bag with screws; 10 pairs per carton			
8070EZ Ebony Black (EB)		8071EZ Ebony Black (EB)		8072EZ Ebony Black (EB)	
Includes standard 3/4 inset hinge and baseplate		Hinges and baseplates are not included		Baseplate included; Must order hinges separately	
Size	Poly (P)	Size	Poly (P)	Size	Poly (P)
12"	8070PEZ EB 12	12"	8071PEZ EB 12	12"	8072PEZ EB 12
14"	8070PEZ EB 14	14"	8071PEZ EB 14	14"	8072PEZ EB 14
16"	8070PEZ EB 16	16"	8071PEZ EB 16	16"	8072PEZ EB 16
18"	8070PEZ EB 18	18"	8071PEZ EB 18	18"	8072PEZ EB 18
20"	8070PEZ EB 20	20"	8071PEZ EB 20	20"	8072PEZ EB 20
22"	8070PEZ EB 22	22"	8071PEZ EB 22	22"	8072PEZ EB 22
24"	8070PEZ EB 24	24"	8071PEZ EB 24	24"	8072PEZ EB 24

Recommended Fasteners		KV Part	Finish	Qty
	#6 x 13/32" Phillips Pan Head	1300-83	Zinc (ZC)	1000

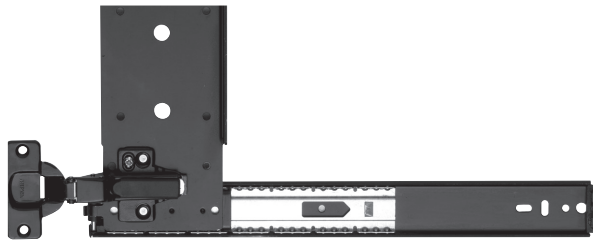
Hinge Kit Options



Hinge Kit (K)		2 hinges per kit; 10 kits per carton			
Nickel Hinges (For Use with 8072)					
Kit (K)	Hinge Cup Size	Door Thickness	Application		
8080 HKEZS	35 mm	3/4"	Inset		
8080 HKEZL	40 mm	3/4"	Overlay		
8080 HKEZF	35 mm	3/4"	Inset - Free Swing		
8085 HKEZT	40 mm	1"	Inset - Thick Door		
8086 HKEZX	40 mm	1-1/4"	Inset - Extra Thick Door		
Ebony Black (EB) Hinges (For Use with 8072)					
Kit (K)	Hinge Cup Size	Door Thickness	Application		
8080 HKEZSEB	35 mm	3/4"	Inset		
8080 HKEZLEB	40 mm	3/4"	Overlay		
8085 HKEZTEB	40 mm	1"	Inset - Thick Door		
8086 HKEZXEB	40 mm	1-1/4"	Inset - Extra Thick Door		
Salice Hinges (For Use with 8071) Nickel Finish (hinge base included)					
Kit (K)	Hinge Cup Size	Door Thickness	Application		
8080 HKS SAL	35 mm	3/4"	Inset		
8080 HKF SAL	35 mm	3/4"	Inset - Free Swing		
8080 HKL SAL	40 mm	3/4"	Overlay		
8086 HKX SAL	40 mm	1-1/4"	Inset - Thick Door		
Salice Hinges (For Use with 8071) Ebony Black (EB) Finish (hinge base included)					
Kit (K)	Hinge Cup Size	Door Thickness	Application		
8080 HKS SAL EB	35 mm	3/4"	Inset		
8080 HKL SAL EB	40 mm	3/4"	Overlay		
8086 HKX SAL EB	40 mm	1-1/4"	Inset - Thick Door		

For additional information on our salice hinge offerings please see page 67.

8080, 8081, 8082 Pivot Door Slides



Features

- Cushioned stops and door hold-out
- Three-way adjustable door hinge

Extension: 8080: 3/4 extension slide with self-close 35mm hinge
 8081: 3/4 extension slide without hinge and base
 8082: 3/4 extension slide with attached hinge base

Mounting: Side

Action: Ball-bearing movement

Load Rating: 30 lb. class

Maximum

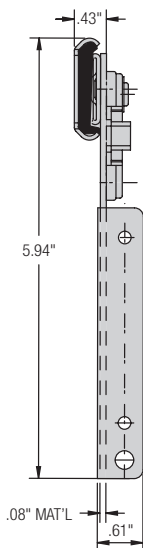
Dimensions: Vertical doors: 42" high x 24" wide
 Horizontal pivot doors: 24" high x 48" wide

Clearance:

Maximum Slide Width Including Hinges		
Type	Standard	Salice
Self-close hinge	1-23/32"	1-21/32"
Free-swing hinge	1-23/32"	1-21/32"
Overlay hinge	1-23/32"	1-7/8"
Thick door hinge	2-3/32"	-
Extra-thick door hinge	2-13/32"	2-5/16"

Finish: Anochrome (ANO) Ebony Black (EB)

Profile:



8090P CR Raised Panel Cassette Roller



Additional protection for raised panel doors

Product	Pack
8090P CR	1 per poly pack with screws; 20 per carton

Configurations



Poly (P)					
1 pair per bag with screws; 10 pairs per carton					
8080EZ Anochrome (ANO)		8081EZ Anochrome (ANO)		8082EZ Anochrome (ANO)	
Includes hinges and bases		No hinges or bases		Hinge base only	
Size	Poly (P)	Size	Poly (P)	Size	Poly (P)
12"	8080PEZ 12	12"	8081PEZ 12	12"	8082PEZ 12
14"	8080PEZ 14	14"	8081PEZ 14	14"	8082PEZ 14
16"	8080PEZ 16	16"	8081PEZ 16	16"	8082PEZ 16
18"	8080PEZ 18	18"	8081PEZ 18	18"	8082PEZ 18
20"	8080PEZ 20	20"	8081PEZ 20	20"	8082PEZ 20
22"	8080PEZ 22	22"	8081PEZ 22	22"	8082PEZ 22
24"	8080PEZ 24	24"	8081PEZ 24	24"	8082PEZ 24
8080EZ Ebony Black (EB)			8082EZ Ebony Black (EB)		
12"	8080PEZ EB 12	-	-	12"	8082PEZ EB 12
14"	8080PEZ EB 14	-	-	14"	8082PEZ EB 14
16"	8080PEZ EB 16	-	-	16"	8082PEZ EB 16
18"	8080PEZ EB 18	-	-	18"	8082PEZ EB 18
20"	8080PEZ EB 20	-	-	20"	8082PEZ EB 20
22"	8080PEZ EB 22	-	-	22"	8082PEZ EB 22
24"	8080PEZ EB 24	-	-	24"	8082PEZ EB 24

Recommended Fasteners	KV Part	Finish	Qty
#6 x 13/32" Phillips Pan Head	1300-83	Zinc (ZC)	1000

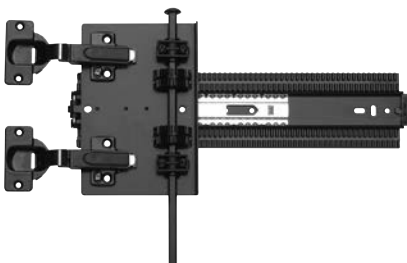
Hinge Kit Options



Hinge Kit (K)			
2 hinges per kit; 10 kits per carton			
Nickel Hinges (For Use with 8082P and 8082Q)			
Kit (K)	Hinge Cup Size	Door Thickness	Application
8080 HKEZS	35 mm	3/4"	Inset
8080 HKEZL	40 mm	3/4"	Overlay
8080 HKEZF	35 mm	3/4"	Inset - Free Swing
8085 HKEZT	40 mm	1"	Inset - Thick Door
8086 HKEZX	40 mm	1-1/4"	Inset - Extra Thick Door
Ebony Black (EB) Hinges (For Use with 8082P and 8082Q)			
Kit (K)	Hinge Cup Size	Door Thickness	Application
8080 HKEZSEB	35 mm	3/4"	Inset
8080 HKEZLEB	40 mm	3/4"	Overlay
8085 HKEZTEB	40 mm	1"	Inset - Thick Door
8086 HKEZXE	40 mm	1-1/4"	Inset - Extra Thick Door
Salice Hinges (For Use with 8081P) Nickel Finish (hinge base included)			
Kit (K)	Hinge Cup Size	Door Thickness	Application
8080 HKS SAL	35 mm	3/4"	Inset
8080 HKF SAL	35 mm	3/4"	Inset - Free Swing
8080 HKL SAL	40 mm	3/4"	Overlay
8086 HKX SAL	40 mm	1-1/4"	Inset - Thick Door
Salice Hinges (For Use with 8081P) Ebony Black (EB) Finish (hinge base included)			
Kit (K)	Hinge Cup Size	Door Thickness	Application
8080 HKS SAL EB	35 mm	3/4"	Inset
8080 HKL SAL EB	40 mm	3/4"	Overlay
8086 HKX SAL EB	40 mm	1-1/4"	Inset - Thick Door

For additional information on our salice hinge offerings please see page 67.

8091, 8092 Pivot Door Slides



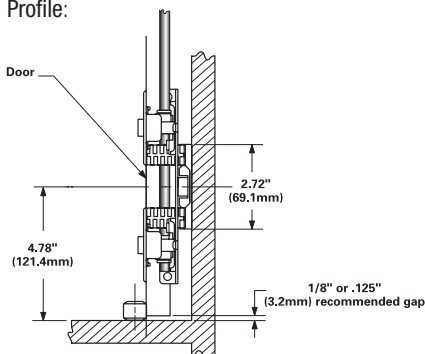
Features

- Rack and pinion design
- Multiple hinge options
- Greatly reduces door sag

8091: Hinge and baseplate not included
 8092: Baseplate attached; hinge must be ordered separately
Mounting: Side
Action: Ball-bearing movement
Load Rating: 75 lb. class
Maximum Dimensions: Vertical doors: 72" high x 26" wide
Clearance:

Maximum Slide Width Including Hinges		
Type	Standard	Salice
Self-close hinge	1-23/32"	1-21/32"
Free-swing hinge	1-23/32"	1-21/32"
Overlay hinge	1-23/32"	1-7/8"
Thick door hinge	2-3/32"	—
Extra-thick door hinge	2-13/32"	2-5/16"

Finish: Ebony Black (EB)
Profile:



8090P CR Raised Panel Cassette Roller



Additional protection for raised panel doors

Product	Pack
8090P CR	1 per poly pack with screws; 20 per carton

Configurations

Poly (P)	1 pair per bag with screws; 1 pair per carton		
8091 Ebony Black (EB)		8092 Ebony Black (EB)	
Size	Poly (P)	Size	Poly (P)
12"	8091SP EB 12	12"	8092SP EB 12
13"	8091SP EB 13	13"	8092SP EB 13
14"	8091SP EB 14	14"	8092SP EB 14
15"	8091SP EB 15	15"	8092SP EB 15
16"	8091SP EB 16	16"	8092SP EB 16
18"	8091SP EB 18	18"	8092SP EB 18
20"	8091SP EB 20	20"	8092SP EB 20
22"	8091SP EB 22	22"	8092SP EB 22
24"	8091SP EB 24	24"	8092SP EB 24
26"	8091SP EB 26	26"	8092SP EB 26
28"	8091SP EB 28	28"	8092SP EB 28
30"	8091SP EB 30	30"	8092SP EB 30

Recommended Fasteners	KV Part	Finish	Qty
#6 x 13/32" Phillips Pan Head	1300-83	Zinc (ZC)	1000

Hinge Kit Options



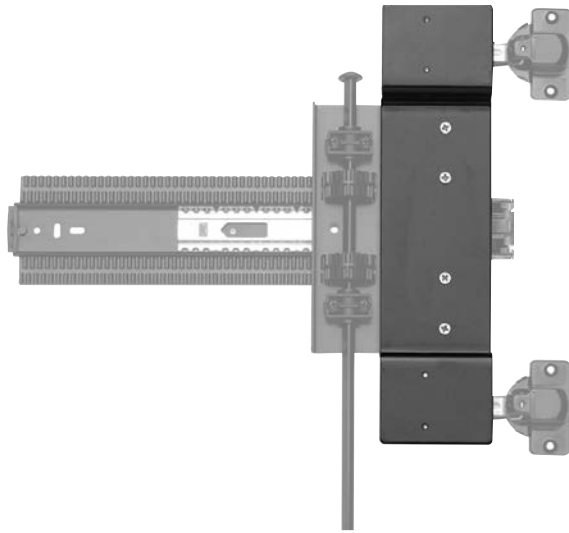
Hinge Kit (K)	2 hinges per kit; 10 kits per carton		
Nickel Hinges (For Use with 8092)			
Kit (K)	Hinge Cup Size	Door Thickness	Application
8080 HKEZS	35 mm	3/4"	Inset
8080 HKEZL	40 mm	3/4"	Overlay
8080 HKEZF	35 mm	3/4"	Inset - Free Swing
8085 HKEZT	40 mm	1"	Inset - Thick Door
8086 HKEZX	40 mm	1-1/4"	Inset - Extra Thick Door
Ebony Black (EB) Hinges (For Use with 8092)			
Kit (K)	Hinge Cup Size	Door Thickness	Application
8080 HKEZSEB	35 mm	3/4"	Inset
8080 HKEZLEB	40 mm	3/4"	Overlay
8085 HKEZTEB	40 mm	1"	Inset - Thick Door
8086 HKEZXE	40 mm	1-1/4"	Inset - Extra Thick Door
Salice Hinges (For Use with 8091) Nickel Finish (hinge base included)			
Kit (K)	Hinge Cup Size	Door Thickness	Application
8080 HKS SAL	35 mm	3/4"	Inset
8080 HKF SAL	35 mm	3/4"	Inset - Free Swing
8080 HKL SAL	40 mm	3/4"	Overlay
8086 HKX SAL	40 mm	1-1/4"	Inset - Thick Door
Salice Hinges (For Use with 8091) Ebony Black (EB) Finish (hinge base included)			
Kit (K)	Hinge Cup Size	Door Thickness	Application
8080 HKS SAL EB	35 mm	3/4"	Inset
8080 HKL SAL EB	40 mm	3/4"	Overlay
8086 HKX SAL EB	40 mm	1-1/4"	Inset - Thick Door

For additional information on our salice hinge offerings please see page 67.

8090B Pinion Shafts for 4x4 Pocket Door Slides

SB Pack (SB) - 1 pair of shafts	Bulk Pack (B) - 10 each	
8090B Pinion Shaft Ebony Black (EB) Finish		
Size	Bulk (B)	Quantity
36"	8090B EB 36	10
48"	8090B EB 48	10
72"	8090B EB 72	10
8092SB Pinion Shaft Ebony Black (EB) Finish		
36"	8092SB EB 36	2
48"	8092SB EB 48	2
72"	8092SB EB 72	2

4x4 Pocket Door Full Overlay Kit



Features

- Provides a full door overlay on doors up to .75" thick
- Does not compromise key performance features of 4x4 pocket door system
- Systems for both Mepla and Salice hinges

Mounting: Mounts directly to KV 8091 Series slide

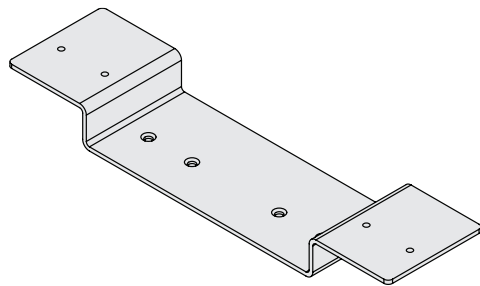
Load Rating: 75 lb. class

Finish: Black

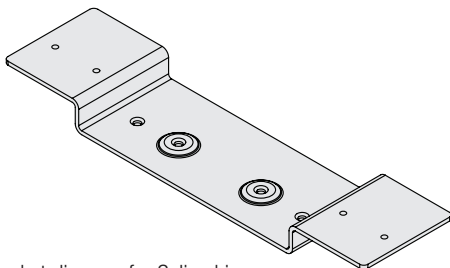
Configurations

	Brackets	Overlay Hinges	Hinge Bases	Hinge Cover Base	Protective Felt Pads	Packed
Poly (P)	Qty: 2	Qty: 4	Qty: 4	Qty: 4	Qty: 4	1 kit/ carton
8091 Full Overlay Pocket Door Kit Black (BLK) Finish						
Poly (P)	Hinge					
8091SFULL34M	Mepla					
8091SFULL34S	Salice					

8091 Full Overlay Pocket Door Kit Black (BLK) Finish		
Door Thickness	Amount of Overlay	Pocket Width
3/4"	3/4"	1-3/4"
13/16"	11/16"	1-13/16"
7/8"	5/8"	1-7/8"
15/16"	9/16"	1-15/16"
1"	1/2"	2"
1-1/16"	7/16"	2-1/16"
1-1/8"	3/8"	2-1/8"
1-3/16"	5/16"	2-3/16"
1-1/4"	1/4"	2-1/4"



Bracket diagram for Mepla hinge

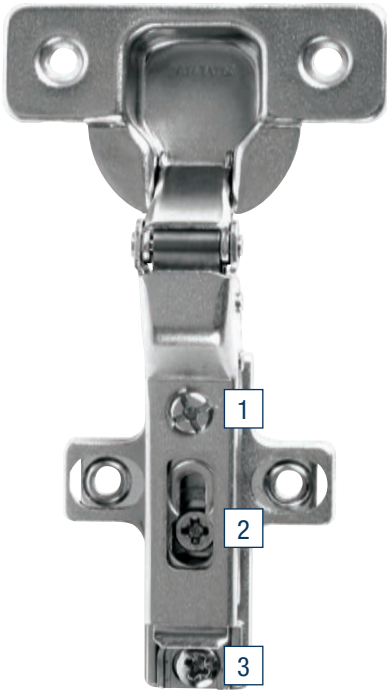


Bracket diagram for Salice hinge

Full Overlay Kit Installation Requirements

- Overlay kits require the use of a KV 8091 series slide
- Overlay kits require the use of a pinion shaft
- Overlay kits require the use of a partition wall within the cabinet

Salice Hinge Kits



1. **Depth Adjustment Cam**
The horizontal (lateral) adjustment range is 6mm.
The depth adjustment range is 3.1 mm (-0.5mm to +2.8mm) for all hinge bases.
2. **Horizontal (Lateral) Adjustment Cam**
The horizontal (lateral) adjustment range is 6mm (-1.5mm to +4.5mm for 35mm cup hinges; -0.5mm to +5.5mm for 40mm cup hinges), while maintaining a constant gap behind the door.
3. **Vertical (Height) Adjustment Cam**
The vertical (height) adjustment range is 4mm (-2mm to +2mm).

Features

- Three-way cam hinges for easy adjustment
- Horizontal, vertical and depth changes can be made without loosening any screws
- Four types of hinges for a variety of application

Clearance: 8080 HKS standard hinge: 1-21/32"
 8080 HKF free swing hinge: 1-21/32"
 8080 HKL partial overlay hinge: 1-37/64"
 8080 HKX extra thick door hinge: 1-37/64"

Finish: Black (BLK), Nickel (NP)

Configurations

Pack Configurations	Hinge Base	Hinges	Screws	Cover Caps
Kit (K) 2 per bag; 10 bags per carton	Yes	Yes	Yes	Yes
Nickel (NP) Finish Salice Hinges for Use with 8071, 8081, 8091 Pocket Door Slides				
Kit (K)	Hinge Cup Size	Door Thickness	Application	
8080 HKS SAL	35 mm	3/4"	Inset	
8080 HKF SAL	35 mm	3/4"	Inset - Free Swing	
8080 HKL SAL	40 mm	3/4"	Overlay	
8086 HKX SAL	40 mm	1-1/4"	Inset - Thick Door	
Black (EB) Finish Salice Hinges for Use with 8071, 8081, 8091 Pocket Door Slides				
Kit (K)	Hinge Cup Size	Door Thickness	Application	
8080 HKS SAL EB	35 mm	3/4"	Inset	
8080 HKL SAL EB	40 mm	3/4"	Overlay	
8086 HKX SAL EB	40 mm	1-1/4"	Inset - Thick Door	