

Heavy-Duty TV Swivel Install Sheets



1388 Heavy-Duty TV Swivel (ENG)

1389 Heavy-Duty TV Swivel (ENG)

1388 Heavy-Duty TV Swivel

LOCATE M6 X 30MM [1-3/16"] METRIC HEX HEAD CAP SCREWS WITH FLAT AND LOCK WASHERS IN THE FRONT AND REAR HOLES. CLEARANCE HOLE SIZE: 1/4" [6] DIA

LOCATE 6 X 20MM [13/16"] METRIC HEX HEAD TAPPING SCREWS WITH FLAT WASHERS HERE. PILOT HOLE SIZE: 3/16" [4.8] DIA

.19 DIA
4 PLACES
LOCATE #7 X 5/8" PAN HEAD WOOD SCREW TRAY ATTACHMENT SCREWS HERE. PILOT HOLE SIZE: 7/64" [3] DIA

.25 X .31 SLOT TYP
[6.5 X 7.9]

Caution:

This item is capable of handling the stated loads when the structure to which it is mounted is designed to safely carry such loads.

The manufacturer of the cabinet should ensure that the final structure is safe and stable when carrying the maximum intended load.

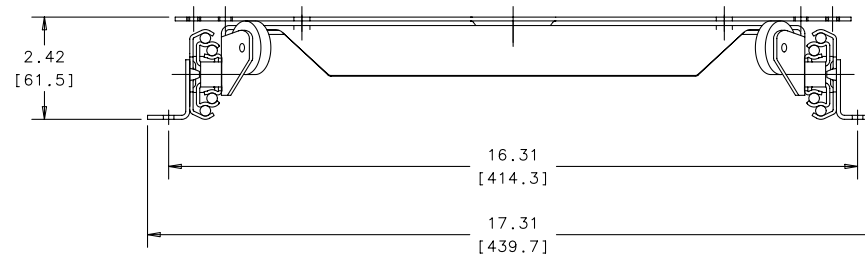
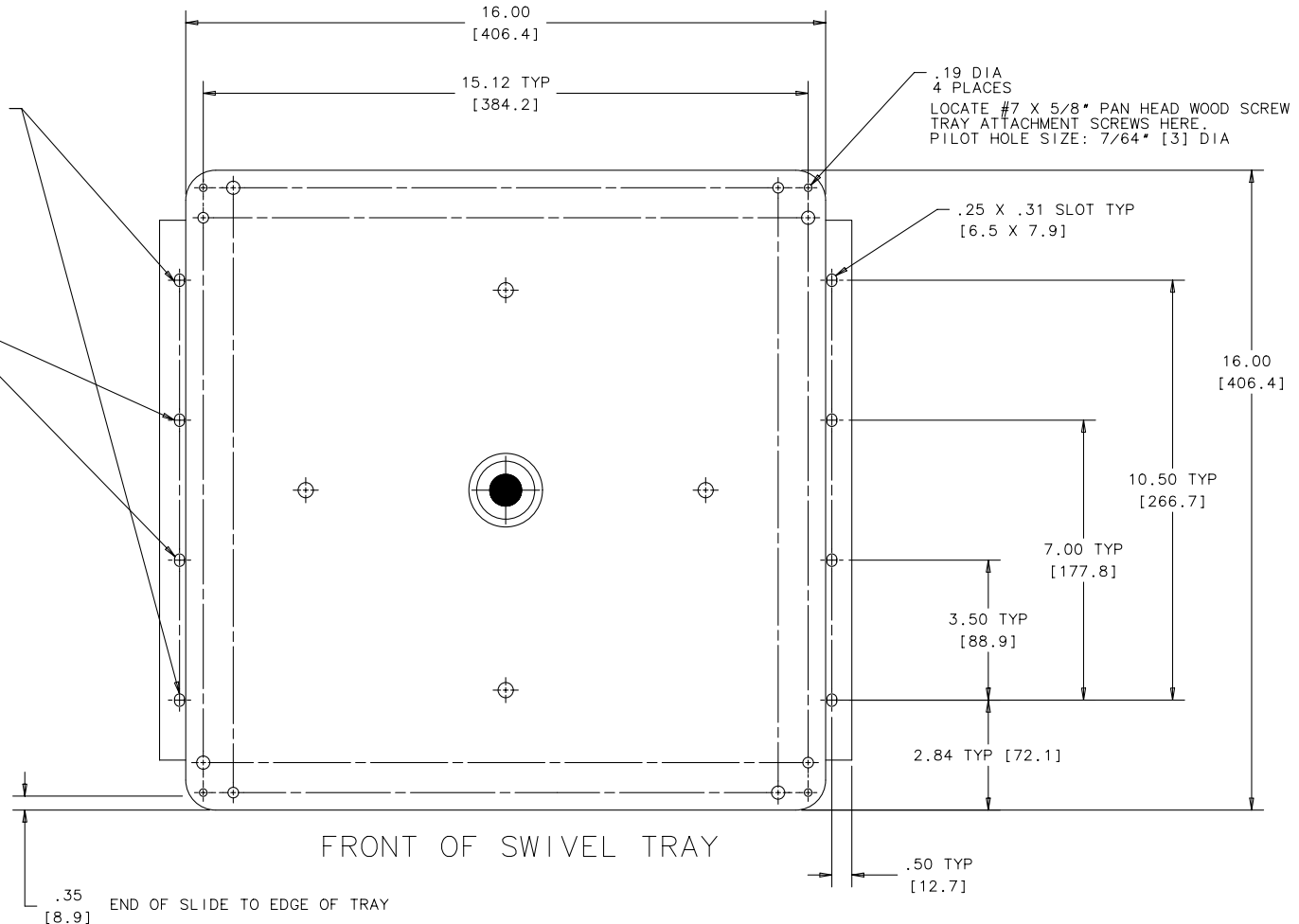
The deck to which the TV Swivel assembly is bolted must be securely attached to the cabinet structure.

Ensure that all cables leading to the devices are long enough to account for the travel and swivel of the 1388.

Make sure that piece of furniture housing the mounted KV 1388 is either counterbalanced or bolted to the floor or wall. This will ensure that the furniture does not tip over when unit is fully extended under max. load.

The load on the sliding shelf must be fully restrained to prevent shifting or tipping as the shelf is extended.

A copy of these installation instructions need to be given to the final user of the product.



- Product:** Heavy Duty TV Swivel
- Model:** 1388
- Plate Dimensions:** 16" X 16"
- Finish:** Black
- Height:** 2.42"
- Load:** 225 lbs.
- Hardware:** All necessary mounting hardware included.



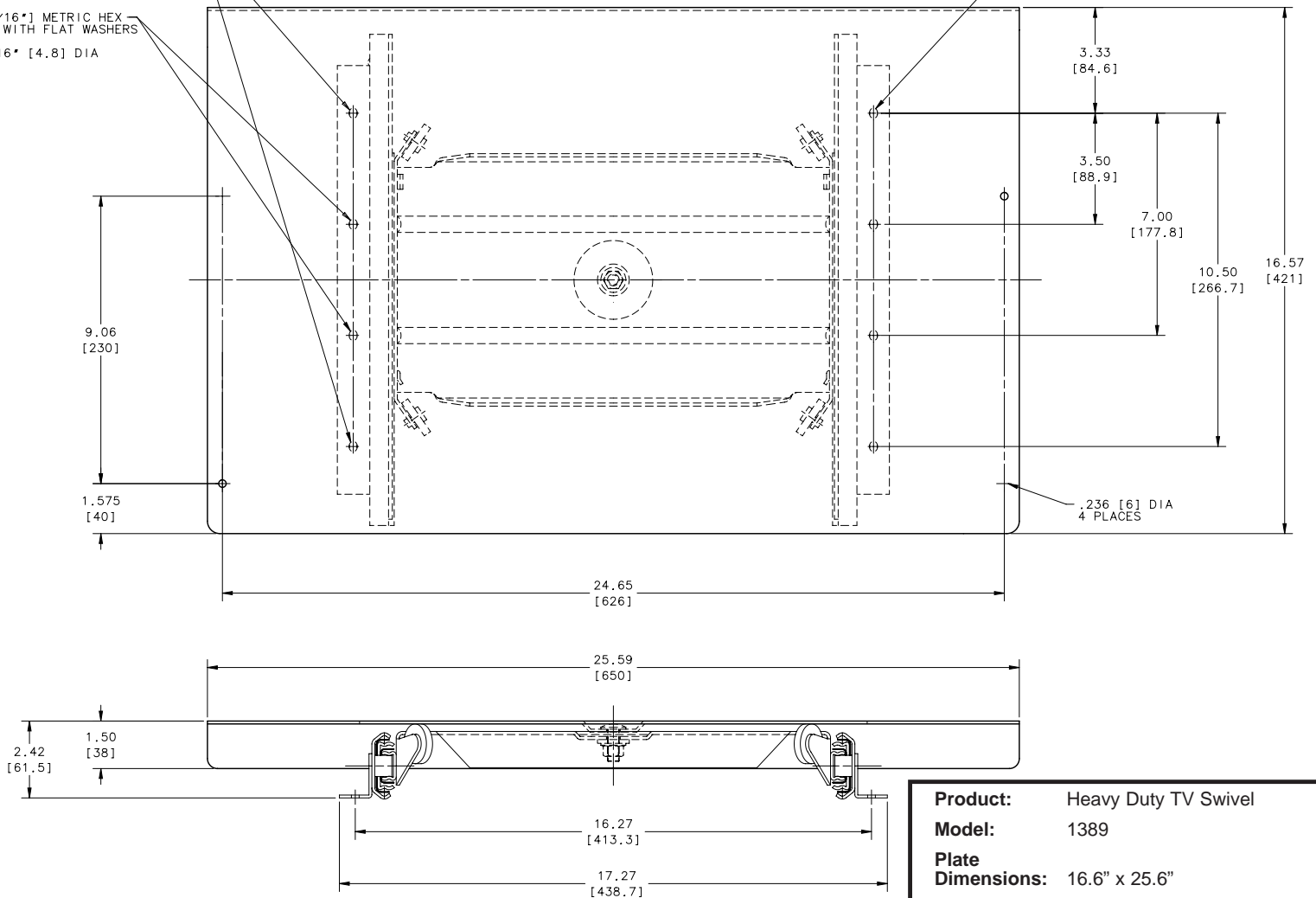
1389 Heavy-Duty TV Swivel

LOCATE M6 X 30MM [1-3/16"] METRIC HEX HEAD CAP SCREWS WITH FLAT AND LOCK WASHERS AND HEX NUTS IN THE FRONT AND REAR HOLES. CLEARANCE HOLE SIZE: 1/4" [6] DIA

LOCATE 6 X 20MM [13/16"] METRIC HEX HEAD TAPPING SCREWS WITH FLAT WASHERS HERE. PILOT HOLE SIZE: 3/16" [4.8] DIA

FRONT OF SWIVEL TRAY

.24 X .31 SLOT [6.2 X .8] 8 PLACES



Caution:

This item is capable of handling the stated loads when the structure to which it is mounted is designed to safely carry such loads.

The manufacturer of the cabinet should ensure that the final structure is safe and stable when carrying the maximum intended load.

The deck to which the TV Swivel assembly is bolted must be securely attached to the cabinet structure.

Ensure that all cables leading to the devices are long enough to account for the travel and swivel of the 1389.

Make sure that piece of furniture housing the mounted KV 1389 is either counterbalanced or bolted to the floor or wall. This will ensure that the furniture does not tip over when unit is fully extended under max. load.

The load on the sliding shelf must be fully restrained to prevent shifting or tipping as the shelf is extended.

A copy of these installation instructions needs to be provided to the final user of the product.

Product:	Heavy Duty TV Swivel
Model:	1389
Plate Dimensions:	16.6" x 25.6"
Finish:	Black
Height:	2.42"
Load:	225 lbs.
Hardware:	All necessary mounting hardware included.

