

# *Home Storage & Organization*

**Kitchen | Bath | Closet**



**KNAP & VOGT®**

# Contents



## Waste & Recycling . . . . . 2

KV offers an extensive lineup, including several options for soft close, that maximizes cabinet space and helps keep kitchens and bathrooms clean. Concealed hardware, multiple sizes and finishes plus optional bins and lids round out this complete product offering.



## Lazy Susans . . . . . 16

Exceptional quality and durability define KV's wide selection of Lazy Susans. Designed to maximize corner cabinet functionality with ease of use in mind, they're available in a range of configurations and shelf type to complement any kitchen.



## Sink Front Trays . . . . . 25

These easy-to-install units in a variety of styles and finishes maximize organization and minimize the mess in the busiest rooms. Sink front trays keep sinks and counters clutter free.



## Pull-Out Systems . . . . . 32

KV's wide range of organizers, wire baskets and more is designed to maximize storage in the kitchen and bath. The collection of innovative under-cabinet storage solutions offers high quality functionality and performance to provide easy access to everyday items.



## Specialty Storage . . . . . 39

Our Stemware Holder, Tray Dividers and more put a finishing touch on the perfect kitchen, bath or laundry room. They're convenient, space-saving solutions for every room in the home.



## Closet Accessories . . . . . 43

KV offers tubing, flanges, end caps, adjustable rods and tips for building the perfect closet. Care for and protect clothes, shoes and accessories, keeping everything organized and easy to access.

## Index . . . . . 50

## Company and Product Information . . . . . 51



## *Waste & Recycling*

Features .....	3
Soft-Close, Wood Undermount .....	4
Soft-Close, Undermount .....	5
Soft-Close Top-mount .....	6
Soft-Close, Bottom-mount .....	7
Standard, Top-mount .....	8
Standard, Bottom-mount .....	9
Roll-Out and Door-mount Bracket Kits .....	10
Specialty Series .....	11
Bins and Lids .....	12
Cabinet Dimensions .....	13





## *Waste & Recycling*

A complete offering with a total of seven product series, including four different levels of Soft-Close options. Each product has been designed to maximize usable cabinet interior and opening space, where two bins can often be used instead of only one. Multiple finish and size options fit all common cabinet opening sizes, making this one of the most extensive Waste & Recycling programs available today.

### **Soft-Close Technology**

Soft-Close slides now come standard on four KV Waste & Recycling series products, making the world a quieter place by eliminating slamming and providing full closure every time.

### **Concealed Slide Hardware**

Product designs conceal slide hardware on all KV Soft-Close Waste & Recycling products, creating a smooth, neutral look that is also easy to clean.

### **Bins & Lids**

Bin styling is a welcome update to the industry-standard "boxy" look, plus it integrates effortlessly with hardware system for a secure fit. Optional lids conceal bin contents and hold plastic bags securely in place, now available for any 20 qt. or 35 qt. product.

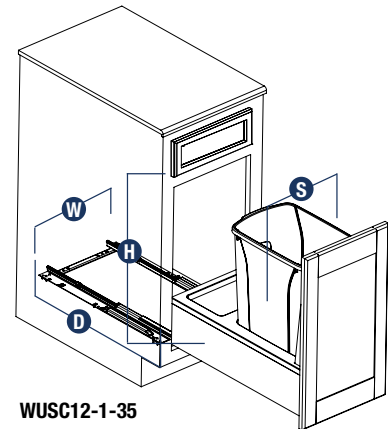
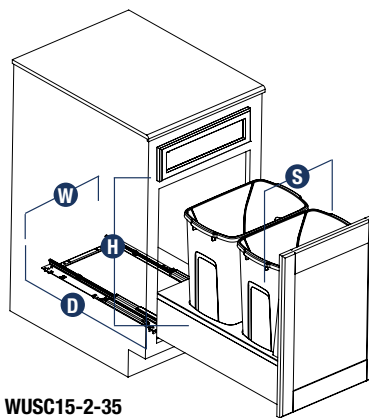
### **A Better Fit All Around**

Features make installation faster and easier while also allowing individual products to be applied to a wider range of applications, door sizes and openings, creating a better fit all around.



## Heavy-Duty, Soft-Close, Wood Undermount Waste & Recycling Bins

- Heavy-duty, undermount slide with Soft-Close technology and concealed hardware; 100 lb. dynamic / 125 lb. static
- Wood drawer box captures bin and provides a clean neutral look
- Single bin units include a storage space for trash bags or cleaning products
- Installs in minutes using self-aligning brackets secured with only six screws
- Unique, easy to clean, solid floor that prevents debris from falling through to the floor or inside cabinet
- Optional lids for 29 qt. waste bins available



Stock #	Sliding Assembly Width <b>S</b>	Assembled Product Dimensions			Finish	Capacity per Bin	Number of Bins	Units per Carton	Weight per Carton
		Width <b>W</b>	Height* <b>H</b>	Depth <b>D</b>					
<b>SINGLE BIN UNITS</b>									
WUSC12-1-35WH	11-1/4" [286 mm]	11-1/4" [286 mm]	19-1/4" [489 mm]	22-3/8" [568 mm]	White	29 qt.	1	1	19.7 lbs. [8.9 kg.]
WUSC12-1-35PT	11-1/4" [286 mm]	11-1/4" [286 mm]	19-1/4" [489 mm]	22-3/8" [568 mm]	Platinum	29 qt.	1	1	19.7 lbs. [8.9 kg.]
WUSC12-1-50WH	11-1/4" [286 mm]	11-1/4" [286 mm]	23-5/16" [592 mm]	22-3/8" [568 mm]	White	50 qt.	1	1	19.7 lbs. [8.9 kg.]
WUSC12-1-50PT	11-1/4" [286 mm]	11-1/4" [286 mm]	23-5/16" [592 mm]	22-3/8" [568 mm]	Platinum	50 qt.	1	1	19.7 lbs. [8.9 kg.]
<b>DOUBLE BIN UNITS</b>									
WUSC12-2-27WH	11-1/4" [286 mm]	11-5/8" [286 mm]	19-5/8" [498 mm]	22-3/8" [568 mm]	White	27 qt.	2	1	20.9 lbs. [9.5 kg.]
WUSC12-2-27PT	11-1/4" [286 mm]	11-5/8" [286 mm]	19-5/8" [498 mm]	22-3/8" [568 mm]	Platinum	27 qt.	2	1	20.9 lbs. [9.5 kg.]
WUSC15-2-35WH	14-1/4" [362 mm]	14-5/8" [300 mm]	19-1/4" [489 mm]	22-3/8" [568 mm]	White	29 qt.	2	1	23.5 lbs. [10.7 kg.]
WUSC15-2-35PT	14-1/4" [362 mm]	14-5/8" [300 mm]	19-1/4" [489 mm]	22-3/8" [568 mm]	Platinum	29 qt.	2	1	23.5 lbs. [10.7 kg.]
WUSC18-2-50WH	16-7/8" [429 mm]	16-7/8" [429 mm]	23-1/32" [592 mm]	22-7/16" [570 mm]	White	50 qt.	2	1	24 lbs. [10.9 kg.]
WUSC18-2-50PT	16-7/8" [429 mm]	16-7/8" [429 mm]	23-1/32" [592 mm]	22-7/16" [570 mm]	Platinum	50 qt.	2	1	24 lbs. [10.9 kg.]

\* If using lid, add 3/4". 30 lbs. maximum per bin, not to exceed 80 lbs. total weight. Not intended for bulk storage.

See pages 13-15 for recommended cabinet dimensions and clearances. See page 12 for bin & lid information.



**USC15-2-35PT**  
(with custom rail accents)

## Heavy-Duty, Soft-Close, Undermount Waste & Recycling Bins

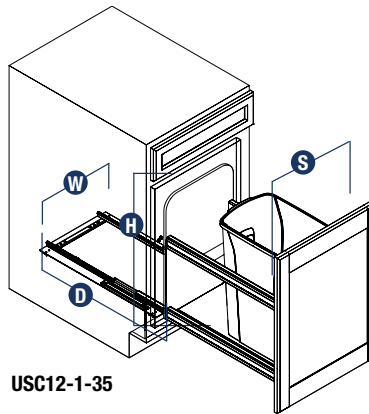
- Heavy-duty, undermount slide with Soft-Close technology; 100 lb. dynamic / 125 lb. static
- Installs in minutes using self-aligning brackets secured with only six screws
- Color coordinated aluminum side rails provide stability and conceal slide hardware
- Unique, easy to clean, solid backsplash and floor that prevents debris from falling through to floor or into cabinet
- Decorative rail accents can be customized to match countertops or cabinetry
- Optional lids for 29 qt. waste bins available



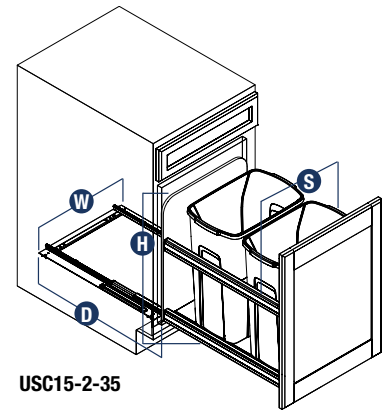
**USC12-1-35WH**  
(with optional QT35LB-W lid)

### Door-Mount Bracket

- Fits standard width opening up to door sizes 3" wider
- Simple, concealed two-screw door leveling
- Slotted screw holes allow for easy door centering
- Accommodates overlay or inset doors



**USC12-1-35**



**USC15-2-35**

Stock #	Sliding Assembly Width <b>S</b>	Assembled Product Dimensions			Finish	Capacity per Bin	Number of Bins	Units per Carton	Weight per Carton
		Width <b>W</b>	Height* <b>H</b>	Depth <b>D</b>					
<b>SINGLE BIN UNITS</b>									
USC12-1-35WH	11-13/16" [299 mm]	11-13/16" [299 mm]	19-3/16" [487 mm]	22-7/16" [570 mm]	White	29 qt.	1	1	19.7 lbs. [8.9 kg.]
USC12-1-35PT	11-13/16" [299 mm]	11-13/16" [299 mm]	19-3/16" [487 mm]	22-7/16" [570 mm]	Platinum	29 qt.	1	1	19.7 lbs. [8.9 kg.]
USC12-1-50WH	11-13/16" [299 mm]	11-13/16" [299 mm]	23-1/4" [591 mm]	22-7/16" [570 mm]	White	50 qt.	1	1	22.1 lbs. [10 kg.]
USC12-1-50PT	11-13/16" [299 mm]	11-13/16" [299 mm]	23-1/4" [591 mm]	22-7/16" [570 mm]	Platinum	50 qt.	1	1	22.1 lbs. [10 kg.]
<b>DOUBLE BIN UNITS</b>									
USC12-2-27WH	11-13/16" [300 mm]	11-13/16" [300 mm]	19-1/2" [496 mm]	22-7/16" [570 mm]	White	27 qt.	2	1	20.9 lbs. [9.5 kg.]
USC12-2-27PT	11-13/16" [300 mm]	11-13/16" [300 mm]	19-1/2" [496 mm]	22-7/16" [570 mm]	Platinum	27 qt.	2	1	20.9 lbs. [9.5 kg.]
USC15-2-35WH	14-13/16" [376 mm]	14-13/16" [376 mm]	19-3/16" [487 mm]	22-7/16" [570 mm]	White	29 qt.	2	1	23.5 lbs. [10.7 kg.]
USC15-2-35PT	14-13/16" [376 mm]	14-13/16" [376 mm]	19-3/16" [487 mm]	22-7/16" [570 mm]	Platinum	29 qt.	2	1	23.5 lbs. [10.7 kg.]
USC18-2-50WH	14-13/16" [376 mm]	15-3/8" [391mm]	23-1/4" [592mm]	22-7/16" [570 mm]	White	50 qt.	2	1	24 lbs. [10.9 kg.]
USC18-2-50PT	14-13/16" [376 mm]	15-3/8" [391mm]	23-1/4" [592mm]	22-7/16" [570 mm]	Platinum	50 qt.	2	1	24 lbs. [10.9 kg.]

\* If using lid, add 3/4". 30 lbs. maximum per bin, not to exceed 80 lbs. total weight. Not intended for bulk storage.



**TSC12-1-35WH**  
(with optional QT35LB-W lid)

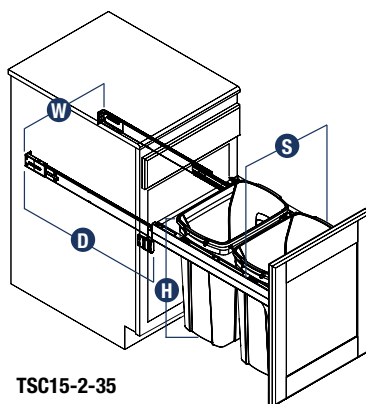
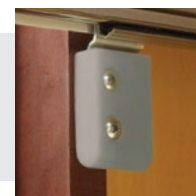
## Soft-Close, Top-Mount Waste & Recycling Bins

- KV medium-duty, full-extension ball-bearing slides with Soft-Close technology and 1" over-travel
- Door-mount brackets include six-way adjustability for precise door alignment and easy installation
- Bins fit securely into multi-ply birch veneered plywood with soft radius edges
- Single-bin units feature a heavy-duty epoxy-coated wire accessory basket
- Color coordinated steel decorative slide hardware covers provide strength and stability while concealing slide hardware, creating a streamlined, easy-to-clean design
- Optional lids available

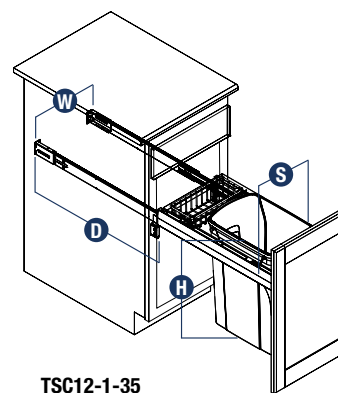


**TSC15-2-35PT**

Unique KV Face Frame Adapter Mounting Hardware accommodates 1-3/4" face frame cabinets by allowing for installation in openings 1/2" smaller than standard sizes (excluding TSC15-2-35PT and TSC15-2-35WH).



**TSC15-2-35**



**TSC12-1-35**

Stock #	Sliding Assembly Width <b>S</b>	Assembled Product Dimensions			Finish	Capacity per Bin	Number of Bins	Units per Carton	Weight per Carton
		Width <b>W</b>	Height* <b>H</b>	Depth <b>D</b>					
<b>SINGLE BIN UNITS</b>									
TSC12-1-35WH	11-5/16" [287 mm]	11-1/2" [292 mm]	17-1/2" [445 mm]	23-3/16" [589 mm]	White	29 qt.	1	1	13.9 lbs. [6.3 kg.]
TSC12-1-35PT	11-5/16" [287 mm]	11-1/2" [292 mm]	17-1/2" [445 mm]	23-3/16" [589 mm]	Platinum	29 qt.	1	1	13.9 lbs. [6.3 kg.]
TSC15-1-35WH	14-5/16" [364 mm]	14-1/2" [368 mm]	17-1/2" [445 mm]	23-3/16" [589 mm]	White	29 qt.	1	1	14.7 lbs. [6.7 kg.]
TSC15-1-35PT	14-5/16" [364 mm]	14-1/2" [368 mm]	17-1/2" [445 mm]	23-3/16" [589 mm]	Platinum	29 qt.	1	1	14.7 lbs. [6.7 kg.]
TSC15-1-50WH	14-5/16" [364 mm]	14-1/2" [368 mm]	21-5/8" [549 mm]	23-3/16" [589 mm]	White	50 qt.	1	1	15.7 lbs. [7.1 kg.]
TSC15-1-50PT	14-5/16" [364 mm]	14-1/2" [368 mm]	21-5/8" [549 mm]	23-3/16" [589 mm]	Platinum	50 qt.	1	1	15.7 lbs. [7.1 kg.]
<b>DOUBLE BIN UNITS</b>									
TSC15-2-35WH	14-13/16" [376 mm]	15" [381 mm]	17-1/2" [445 mm]	23-3/16" [589 mm]	White	29 qt.	2	1	14.9 lbs. [6.8 kg.]
TSC15-2-35PT	14-13/16" [376 mm]	15" [381 mm]	17-1/2" [445 mm]	23-3/16" [589 mm]	Platinum	29 qt.	2	1	14.9 lbs. [6.8 kg.]
TSC18-2-35WH	17-5/16" [440 mm]	17-1/2" [445 mm]	17-1/2" [445 mm]	23-3/16" [589 mm]	White	29 qt.	2	1	15.6 lbs. [7.1 kg.]
TSC18-2-35PT	17-5/16" [440 mm]	17-1/2" [445 mm]	17-1/2" [445 mm]	23-3/16" [589 mm]	Platinum	29 qt.	2	1	15.6 lbs. [7.1 kg.]

\* If using lid, add 3/4". 30 lbs. maximum per bin, not to exceed 80 lbs. total weight. Not intended for bulk storage.

See pages 13-15 for recommended cabinet dimensions and clearances. See page 12 for bin & lid information.

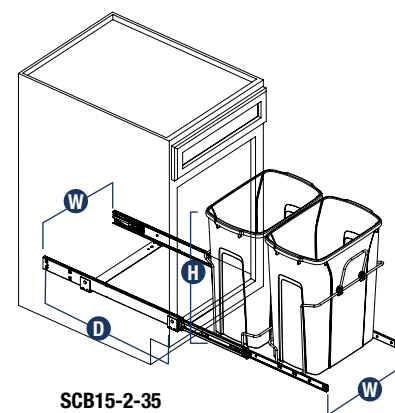
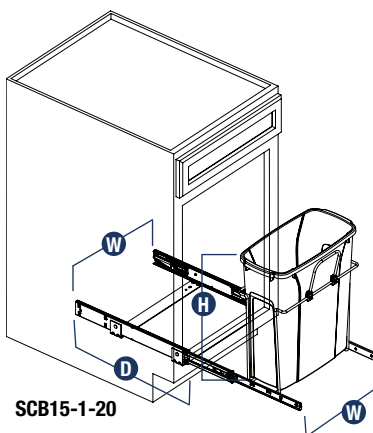




## Soft-Close, Bottom-Mount Waste & Recycling Bins

(door-mount optional)

- KV medium-duty, full-extension ball-bearing slides with Soft-Close technology and 1" over-travel
- Clip-On Handle
- Easy installation with only four screws into heavy-duty mounting straps
- Optional Door-Mount Bracket available
- Specialized wire management systems hold Bins securely in place
- Bottom-mount units provide stability and are pre-assembled, for faster installation
- Optional lids available



Stock #	Sliding Assembly Width <b>S</b>	Assembled Product Dimensions			Finish	Capacity per Bin	Number of Bins	Units per Carton	Weight per Carton
		Width <b>W</b>	Height* <b>H</b>	Depth <b>D</b>					
<b>SINGLE BIN UNITS</b>									
SCB9-1-20PT	8-3/8" [218 mm]	8-3/8" [213 mm]	17-5/16" [440 mm]	20-1/8" [511 mm]	Frosted Nickel/Platinum	20 qt.	1	1	11.5 lbs. [5.2 kg.]
SCB9-1-20WH	8-3/8" [218 mm]	8-3/8" [213 mm]	17-5/16" [440 mm]	20-1/8" [511 mm]	White/White	20 qt.	1	1	11.5 lbs. [5.2 kg.]
SCB10-1-35PT	9-5/8" [244 mm]	9-5/8" [244 mm]	18-13/16" [478 mm]	20-1/8" [511 mm]	Frosted Nickel/Platinum	29 qt.	1	1	10.5 lbs. [4.8 kg.]
SCB10-1-35WH	9-5/8" [244 mm]	9-5/8" [244 mm]	18-13/16" [478 mm]	20-1/8" [511 mm]	White/White	29 qt.	1	1	10.5 lbs. [4.8 kg.]
SCB12-1-50PT	11-3/8" [299 mm]	11-3/8" [299 mm]	22-7/8" [581 mm]	20-1/8" [511 mm]	Frosted Nickel/Platinum	50 qt.	1	1	11.5 lbs. [5.2 kg.]
SCB12-1-50WH	11-3/8" [299 mm]	11-3/8" [299 mm]	22-7/8" [581 mm]	20-1/8" [511 mm]	White/White	50 qt.	1	1	11.5 lbs. [5.2 kg.]
SCB15-1-20PT	14-3/8" [365 mm]	14-3/8" [365 mm]	17-5/16" [440 mm]	16" [406 mm]	Frosted Nickel/Platinum	20 qt.	1	1	10.7 lbs. [4.9 kg.]
SCB15-1-20WH	14-3/8" [365 mm]	14-3/8" [365 mm]	17-5/16" [440 mm]	16" [406 mm]	White/White	20 qt.	1	1	10.7 lbs. [4.9 kg.]
<b>DOUBLE BIN UNITS</b>									
SCB12-2-27WH	11" [279 mm]	11-3/8" [299 mm]	18-3/4" [476 mm]	22" [558 mm]	White/White	27 qt.	2	1	14.0 lbs. [6.4 kg.]
SCB12-2-27PT	11" [279 mm]	11-3/8" [299 mm]	18-3/4" [476 mm]	22" [558 mm]	Frosted Nickel/Platinum	27 qt.	2	1	14.0 lbs. [6.4 kg.]
SCB15-2-20PT	14-3/8" [365 mm]	14-3/8" [365 mm]	17-5/16" [440 mm]	20-1/8" [511 mm]	Frosted Nickel/Platinum	20 qt.	2	1	18.1 lbs. [8.2 kg.]
SCB15-2-20WH	14-3/8" [365 mm]	14-3/8" [365 mm]	17-5/16" [440 mm]	20-1/8" [511 mm]	White/White	20 qt.	2	1	18.1 lbs. [8.2 kg.]
SCB15-2-35PT	14-3/8" [365 mm]	14-3/8" [365 mm]	18-13/16" [478 mm]	22" [558 mm]	Frosted Nickel/Platinum	29 qt.	2	1	19.7 lbs. [8.9 kg.]
SCB15-2-35WH	14-3/8" [365 mm]	14-3/8" [365 mm]	18-13/16" [478 mm]	22" [558 mm]	White/White	29 qt.	2	1	19.7 lbs. [8.9 kg.]

\* If using lid, add 3/4". 30 lbs. maximum per bin, not to exceed 80 lbs. total weight. Not intended for bulk storage.





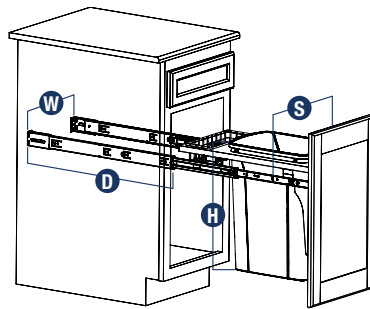
**PDMTM12-1-35WH**  
(with optional QT35LB-W lid)

## Standard, Top-Mount Waste & Recycling Bins

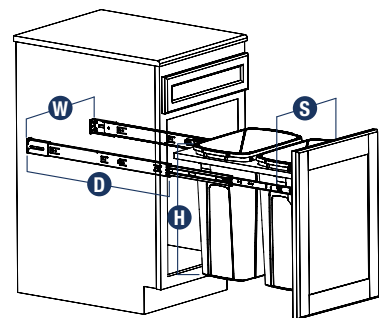
- White polymer removable Bins slide out on KV heavy-duty, precision ball-bearing slides
- Door-Mount Brackets include six-way adjustability for precise door alignment and easy installation
- Made of multi-ply birch veneered plywood with soft radius edges for safety and comfort
- Single-bin units feature a heavy-duty, epoxy-coated wire accessory basket
- Optional lids available



**PDMTM15-2-35WH**



**PDMTM12-1-35WH**



**PDMTM15-2-35WH**

See pages 13-15 for recommended cabinet dimensions and clearances. See page 12 for bin & lid information.

Stock #	Sliding Assembly Width <b>S</b>	Assembled Product Dimensions				Finish	Capacity per Bin	Number of Bins	Units per Carton	Weight per Carton
		Width <b>W</b>	Height* <b>H</b>	Depth <b>D</b>						
<b>SINGLE BIN UNITS</b>										
PDMTM115-1-35WH	10-15/16" [278 mm]	11-1/2" [292 mm]	17-1/2" [445 mm]	22-1/2" [572 mm]	Anochrome/White	29 qt.	1	1	12.6 lbs. [5.7 kg.]	
PDMTM12-1-35WH	11-7/16" [291 mm]	12" [305 mm]	17-1/2" [445 mm]	22-1/2" [572 mm]	Anochrome/White	29 qt.	1	1	13.1 lbs. [5.9 kg.]	
PDMTM145-1-50WH	13-15/16" [354 mm]	14-1/2" [368 mm]	21-5/8" [549 mm]	22-1/2" [572 mm]	Anochrome/White	50 qt.	1	1	14.5 lbs. [6.6 kg.]	
<b>DOUBLE BIN UNITS</b>										
PDMTM15-2-35WH	14-7/16" [367 mm]	15" [381 mm]	17-1/2" [445 mm]	22-1/2" [572 mm]	Anochrome/White	29 qt.	2	1	14.2 lbs. [6.4 kg.]	
PDMTM175-2-35WH	16-15/16" [430 mm]	17-1/2" [445 mm]	17-1/2" [445 mm]	22-1/2" [572 mm]	Anochrome/White	29 qt.	2	1	15.7 lbs. [7.1 kg.]	
PDMTM18-2-35WH	17-7/16" [443 mm]	18" [457 mm]	17-1/2" [445 mm]	22-1/2" [572 mm]	Anochrome/White	29 qt.	2	1	15.9 lbs. [7.2 kg.]	
PDMTM21-2-35WH	20-7/16" [519 mm]	21" [533 mm]	17-1/2" [445 mm]	22-1/2" [572 mm]	Anochrome/White	29 qt.	2	1	16.5 lbs. [7.5 kg.]	

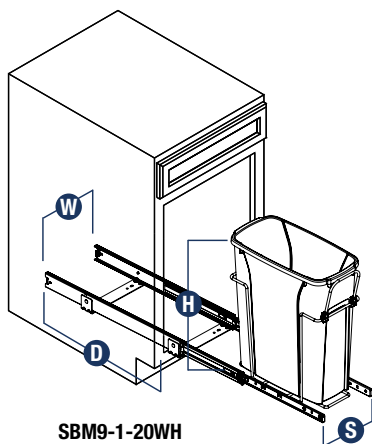
\* If using lid, add 3/4". 30 lbs. maximum per bin, not to exceed 80 lbs. total weight. Not intended for bulk storage.



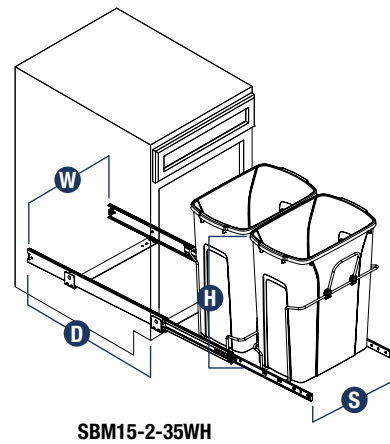
## Standard, Bottom-Mount Waste & Recycling Bins

(door-mount optional)

- KV medium-duty ball-bearing precision slides
- Updated wire management system holds bins securely in place
- Pre-assembled units with heavy-duty mounting straps install easily with only four screws
- Clip-on handle comes single and double-bin units
- Optional Door-Mount Bracket available
- Optional lids available for 20 qt. and 29 qt. waste bins



SBM9-1-20WH



SBM15-2-35WH

Stock #	Sliding Assembly Width <b>S</b>	Assembled Product Dimensions			Finish	Capacity per Bin	Number of Bins	Units per Carton	Weight per Carton
		Width <b>W</b>	Height* <b>H</b>	Depth <b>D</b>					
<b>SINGLE BIN UNITS</b>									
SBM9-1-20WH	8" [203 mm]	8" [203 mm]	17-5/16" [440 mm]	20-1/8" [511 mm]	White	20 qt.	1	1	10.3 lbs. [4.7 kg.]
SBM10-1-35WH	9-5/8" [244 mm]	9-5/8" [244 mm]	18-13/16" [478 mm]	20-1/8" [511 mm]	White	29 qt.	1	1	9.4 lbs. [4.3 kg.]
SBM12-1-50WH	11-3/8" [289 mm]	11-3/8" [289 mm]	22-7/8" [581 mm]	20-1/8" [511 mm]	White	50 qt.	1	1	10.5 lbs. [4.8 kg.]
SBM15-1-35WH	14-3/8" [365 mm]	14-3/8" [365 mm]	18-3/4" [478 mm]	16" [406 mm]	White	29 qt.	1	1	14.6 lbs. [6.6 kg.]
<b>DOUBLE BIN UNITS</b>									
SBM12-2-27WH	11-3/8" [289 mm]	11-3/8" [289 mm]	18-3/4" [476 mm]	22" [558 mm]	White	27 qt.	2	1	12.9 lbs. [5.9 kg.]
SBM15-2-20WH	14-3/8" [365 mm]	14-3/8" [365 mm]	17-5/16" [440 mm]	20-1/8" [511 mm]	White	20 qt.	2	1	16.8 lbs. [7.6 kg.]
SBM15-2-35WH	14-3/8" [365 mm]	14-3/8" [365 mm]	18-13/16" [478 mm]	22" [558 mm]	White	29 qt.	2	1	18.3 lbs. [8.3 kg.]

\* If using lid, add 3/4". 30 lbs. maximum per bin, not to exceed 80 lbs. total weight. Not intended for bulk storage.



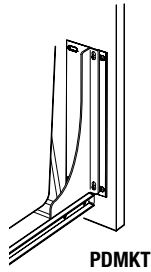
## Door Mount Bracket Kits

- Easy installation into handle mounting holes with only four screws
- Six-way adjustability for alignment of cabinet door with easy "drop-in" keyhole attachment
- Adapts from standard width opening up to door sizes 3" wider
- Allows for application with most common cabinet door overlays
- Eliminates need for sub-panel support behind cabinet door

Stock #	Description	Finish	Units per Carton	Weight per Carton
<b>DOOR-MOUNT BRACKET KITS</b>				
PDMKTPT*	–	Frosted Nickel	1	2.3 lbs. [1 kg.]

\*Instructions and hardware included with all kits.

Note: Door-Mount Kit adds 3/8" to depth of Waste & Recycle unit.

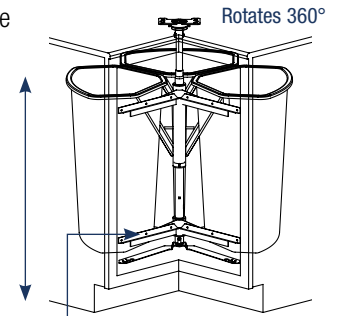
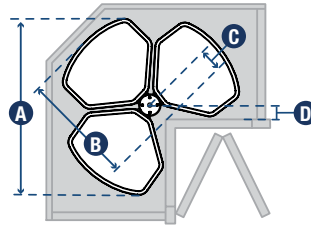






## Corner Recycling Centers

- Three removable white polymer 32 qt. bins rotate on 1" diameter post
- Designed to fit in 36" base corner cabinet



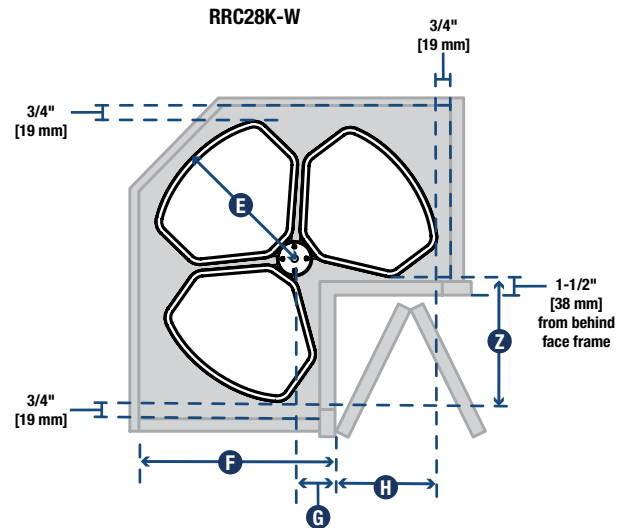
RRC28PT-W model includes hardware to mount to revolving cabinet door

Assembled Product Dimensions										
Stock #	Diameter <b>A</b>	<b>B</b>	<b>C</b>	<b>D</b>	Post Height Range	Finish	Capacity per Bin	Number of Bins	Units per Carton	Weight per Carton
<b>CORNER RECYCLING CENTER</b>										
RRC28K-W	27-5/8" [702 mm]	18-5/16" [465 mm]	4-1/2" [114 mm]	3-3/16" [81 mm]	28-1/2" [724 mm] - 30-1/2" [775 mm]	Chrome/White	32 qt.	3	1	15.3 lbs. [6.9 kg.]

## Cabinet Dimensions

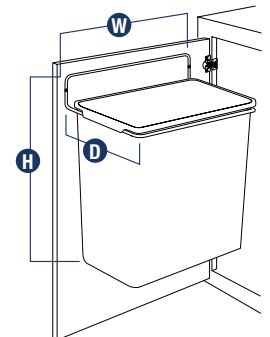
Stock #	<b>E</b>	<b>F</b>	<b>G</b>	<b>H</b>	<b>Z</b>	Mounting
<b>SINGLE BIN UNITS</b>						
RRC28K-W	13-13/16" [351 mm]	18-1/2" [470 mm]	3-15/16" [100 mm]	9-7/8" [251 mm]	12-1/8" [308 mm]	Top/Bottom

- E** = Radius
- F** = Min. Cabinet Depth
- G** = Center of Rotation
- H** = Min. Cabinet Opening



## Door-Mounted Waste Bin

- White polymer removable bin mounts on White frame
- Perfect for kitchens and baths
- Installs with two screws



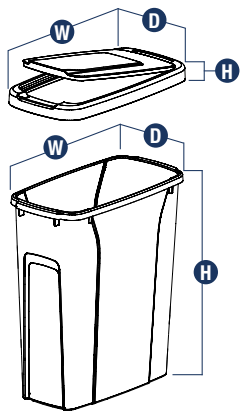
Assembled Product Dimensions									
Stock #	Width <b>W</b>	Height* <b>H</b>	Depth <b>D</b>	Finish	Capacity per Bin	Number of Bins	Units per Carton	Weight per Carton	
<b>DOOR-MOUNTED WASTE BIN</b>									
DWB975-W	9-1/2" [241 mm]	13-3/8" [340 mm]	7" [178 mm]	White/White	9 qt.	1	1	1.7 lbs. [0.8 kg.]	

\*Product dimensions include units in a fully-closed position, unless noted otherwise. \*\*Height listed is when product is in an open position.

# Replacement Bins & Lids

Stock #	Assembled Product Dimensions			Finish	Description	Units per Carton	Weight per Carton
	Width <b>W</b>	Height* <b>H</b>	Depth <b>D</b>				
<b>BINS</b>							
QT20PB-WH	14-1/4" [362 mm]	16" [406 mm]	7-1/4" [184 mm]	White	20 qt.	6	12 lbs. [5.4 kg.]
QT20PB-PT	14-1/4" [362 mm]	16" [406 mm]	7-1/4" [184 mm]	Platinum	20 qt.	6	12 lbs. [5.4 kg.]
QT27PB-W	10-5/8" [270 mm]	17-3/4" [451 mm]	10-5/8" [270 mm]	White	27 qt.	10	17.4 lbs. [7.9 kg.]
QT27PB-PT	10-5/8" [270 mm]	17-3/4" [451 mm]	10-5/8" [270 mm]	Platinum	27 qt.	10	17.4 lbs. [7.9 kg.]
QT32PB-W	14" [356 mm]	20" [508 mm]	11-3/4" [298 mm]	White	32 qt.	1	4 lbs. [1.8 kg.]
QT35PB-WH	14-1/4" [362 mm]	17-1/2" [445 mm]	9-3/16" [233 mm]	White	29 qt.	6	14 lbs. [6.4 kg.]
QT35PB-PT	14-1/4" [362 mm]	17-1/2" [445 mm]	9-3/16" [233 mm]	Platinum	29 qt.	6	14 lbs. [6.4 kg.]
QT50PB-W	15-3/8" [391 mm]	21-3/8" [542 mm]	11-1/8" [283 mm]	White	50 qt.	8	20 lbs. [9.1 kg.]
QT50PB-P	15-3/8" [391 mm]	21-3/8" [542 mm]	11-1/8" [283 mm]	Platinum	50 qt.	8	20 lbs. [9.1 kg.]
<b>LIDS</b>							
QT20LB-WH	14-1/2" [368 mm]	*	7-7/16" [189 mm]	White	Fits 20 qt.	1	2 lbs. [0.9 kg.]
QT20LB-PT	14-1/2" [368 mm]	*	7-7/16" [189 mm]	Platinum	Fits 20 qt.	1	2 lbs. [0.9 kg.]
QT35LB-WH	14-1/2" [368 mm]	*	9-9/16" [243 mm]	White	Fits 35 qt.	1	2 lbs. [0.9 kg.]
QT35LB-PT	14-1/2" [368 mm]	*	9-9/16" [243 mm]	Platinum	Fits 35 qt.	1	2 lbs. [0.9 kg.]

\* Lid adds 3/4" to bin height.



# Replacement Bin Chart

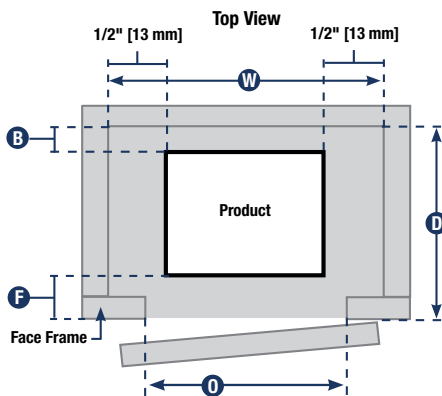
PRODUCT NUMBER	REPLACEMENT STOCK NUMEBR	PRODUCT NUMBER	REPLACEMENT STOCK NUMEBR	PRODUCT NUMBER	REPLACEMENT STOCK NUMEBR
SCB10-1-35WH	QT35PB-WH	PDMTM145-1-50WH	QT50PB-W	TSC15-1-35WH	QT35PB-WH
SCB10-1-35PT	QT35PB-PT	PDMTM15-2-35WH	QT35PB-WH	TSC15-1-35PT	QT35PB-PT
SCB12-1-50WH	QT50PB-W	PDMTM175-2-35WH	QT35PB-WH	TSC15-1-50WH	QT50PB-W
SCB12-1-50PT	QT50PB-P	PDMTM18-2-35WH	QT35PB-WH	TSC15-1-50PT	QT50PB-P
SCB12-2-27WH	QT27PB-W	PDMTM21-2-35WH	QT35PB-WH	TSC15-2-35WH	QT35PB-WH
SCB12-2-27PT	QT27PB-PT	SBM12-2-27WH	QT27PB-W	TSC15-2-35PT	QT35PB-PT
SCB15-1-20WH	QT20PB-WH	SBM10-1-35WH	QT35PB-WH	TSC18-2-35WH	QT35PB-WH
SCB15-1-20PT	QT20PB-PT	SBM12-1-50WH	QT50PB-W	TSC18-2-35PT	QT35PB-PT
SCB15-2-20WH	QT20PB-WH	SBM15-1-35WH	QT35PB-WH	USC12-1-35WH	QT35PB-WH
SCB15-2-20PT	QT20PB-PT	SBM15-2-20WH	QT20PB-WH	USC12-1-35PT	QT35PB-PT
SCB15-2-35WH	QT35PB-WH	SBM15-2-35WH	QT35PB-WH	USC12-1-50WH	QT50PB-W
SCB15-2-35PT	QT35PB-PT	SBM9-1-20WH	QT20PB-WH	USC12-1-50PT	QT50PB-PT
SCB9-1-20PT	QT20PB-PT	RRC28K-W	QT32PB-W	USC12-2-27WH	QT27PB-W
SCB9-1-20WH	QT20PB-WH	TSC12-1-35WH	QT35PB-WH	USC12-2-27PT	QT27PB-PT
PDMTM115-1-35WH	QT35PB-WH	TSC12-1-35PT	QT35PB-PT	USC15-2-35WH	QT35PB-WH
PDMTM12-1-35WH	QT35PB-WH			USC15-2-35PT	QT35PB-PT
				USC18-2-50WH	QT50PB-WH
				USC18-2-50PT	QT50PB-PT



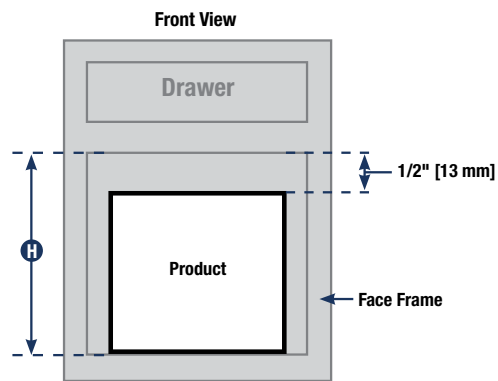
# Cabinet Dimensions

Stock #	Min. Cabinet Dimensions		Min. Interior Cabinet Dimensions			Min. Cabinet Clearance	
	Width <b>O</b>	Width <b>W</b>	Height* <b>H</b>	Depth <b>D</b>	Front <b>F</b>	Back <b>B</b>	
<b>SINGLE BIN UNITS: NON-DOOR-MOUNT</b>							
SCB9-1-20PT	9" [229 mm]	9" [229 mm]	17-13/16" [452 mm]	20-1/2" [521 mm]	1/4" [6 mm]	1/8" [3 mm]	
SCB9-1-20WH	9" [229 mm]	9" [229 mm]	17-13/16" [452 mm]	20-1/2" [521 mm]	1/4" [6 mm]	1/8" [3 mm]	
SCB10-1-35PT	10" [254 mm]	10" [254 mm]	19-5/16" [491 mm]	20-1/2" [521 mm]	1/4" [6 mm]	1/8" [3 mm]	
SCB10-1-35WH	10" [254 mm]	10" [254 mm]	19-5/16" [491 mm]	20-1/2" [521 mm]	1/4" [6 mm]	1/8" [3 mm]	
SCB12-1-50PT	12" [305 mm]	12" [305 mm]	23-3/8" [594 mm]	20-1/2" [521 mm]	1/4" [6 mm]	1/8" [3 mm]	
SCB12-1-50WH	12" [305 mm]	12" [305 mm]	23-3/8" [594 mm]	20-1/2" [521 mm]	1/4" [6 mm]	1/8" [3 mm]	
SCB15-1-20PT	15" [381 mm]	15" [381 mm]	17-13/16" [452 mm]	16" [407 mm]	1/4" [6 mm]	1/8" [3 mm]	
SCB15-1-20WH	15" [381 mm]	15" [381 mm]	17-13/16" [452 mm]	16" [407 mm]	1/4" [6 mm]	1/8" [3 mm]	
SBM9-1-20WH	9" [229 mm]	9" [229 mm]	17-13/16" [452 mm]	20-1/2" [521 mm]	1/4" [6 mm]	1/8" [3 mm]	
SBM10-1-35WH	10" [254 mm]	10" [254 mm]	19-5/16" [491 mm]	20-1/2" [521 mm]	1/4" [6 mm]	1/8" [3 mm]	
SBM12-1-50WH	12" [305 mm]	12" [305 mm]	23-3/8" [594 mm]	20-1/2" [521 mm]	1/4" [6 mm]	1/8" [3 mm]	
SBM15-1-35WH	15" [381 mm]	15" [381 mm]	19-5/16" [491 mm]	16-3/8" [416 mm]	1/4" [6 mm]	1/8" [3 mm]	
<b>SINGLE BIN UNITS: DOOR-MOUNT (BOTTOM-MOUNT)</b>							
DWB975-W	12" [305 mm]	12" [305 mm]	12-1/8" [308 mm]	7-1/2" [191 mm]	-	1/8" [3 mm]	
WUSC12-1-35PT	11-3/4" [298 mm]	11-3/4" [298 mm]	19-1/2" [241 mm]	22-1/2" [597 mm]	-	1/8" [3 mm]	
WUSC12-1-35WH	11-3/4" [298 mm]	11-3/4" [298 mm]	19-1/2" [241 mm]	22-1/2" [597 mm]	-	1/8" [3 mm]	
WUSC12-1-50PT	11-3/4" [298 mm]	11-3/4" [298 mm]	23-1/2" [597 mm]	22-1/2" [597 mm]	-	1/8" [3 mm]	
WUSC12-1-50WH	11-3/4" [298 mm]	11-3/4" [298 mm]	23-1/2" [597 mm]	22-1/2" [597 mm]	-	1/8" [3 mm]	
USC12-1-35WH	12" [305 mm]	12" [305 mm]	19-3/16" [487 mm]	22-5/8" [575 mm]	-	1/8" [3 mm]	
USC12-1-35PT	12" [305 mm]	12" [305 mm]	19-3/16" [487 mm]	22-5/8" [575 mm]	-	1/8" [3 mm]	
USC12-1-50WH	12" [305 mm]	12" [305 mm]	23-5/16" [592 mm]	22-5/8" [575 mm]	-	1/8" [3 mm]	
USC12-1-50PT	12" [305 mm]	12" [305 mm]	23-5/16" [592 mm]	22-5/8" [575 mm]	-	1/8" [3 mm]	
<b>SINGLE BIN UNITS: DOOR-MOUNT (TOP-MOUNT)</b>							
PDMTM15-1-35WH	11-1/2" [292 mm]	11-1/2" [292 mm]	18" [457 mm]	22-1/2" [572 mm]	-	1/8" [3 mm]	
PDMTM12-1-35WH	12" [305 mm]	12" [305 mm]	18" [457 mm]	22-1/2" [572 mm]	-	1/8" [3 mm]	
PDMTM145-1-50WH	14-1/2" [368 mm]	14-1/2" [368 mm]	22-1/8" [562 mm]	22-1/2" [572 mm]	-	1/8" [3 mm]	
TSC12-1-35WH	11-1/2" [292 mm]	11-1/2" [292 mm]	18" [457 mm]	23-3/8" [594 mm]	-	1/8" [3 mm]	
TSC12-1-35PT	11-1/2" [292 mm]	11-1/2" [292 mm]	18" [457 mm]	23-3/8" [594 mm]	-	1/8" [3 mm]	
TSC15-1-35WH	14-1/2" [368 mm]	14-1/2" [368 mm]	18" [457 mm]	23-3/8" [594 mm]	-	1/8" [3 mm]	
TSC15-1-35PT	14-1/2" [368 mm]	14-1/2" [368 mm]	18" [457 mm]	23-3/8" [594 mm]	-	1/8" [3 mm]	
TSC15-1-50WH	14-1/2" [368 mm]	14-1/2" [368 mm]	22-1/8" [562 mm]	23-3/8" [594 mm]	-	1/8" [3 mm]	
TSC15-1-50PT	14-1/2" [368 mm]	14-1/2" [368 mm]	22-1/8" [562 mm]	23-3/8" [594 mm]	-	1/8" [3 mm]	

Example of Face Frame Cabinet Application



Dimensions shown are recommended minimum cabinet dimensions and clearances.

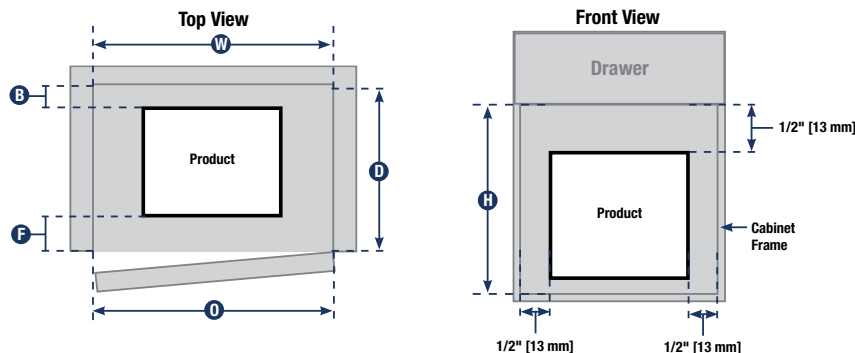




# Cabinet Dimensions

Stock #	Min. Cabinet Dimensions		Min. Interior Cabinet Dimensions		Min. Cabinet Clearance	
	Width <b>O</b>	Width <b>W</b>	Height* <b>H</b>	Depth <b>D</b>	Front <b>F</b>	Back <b>B</b>
<b>DOUBLE BIN UNITS: NON-DOOR-MOUNT</b>						
SCB12-2-27PT	12" [305 mm]	12" [305 mm]	19" [482 mm]	22-9/16" [573 mm]	–	1/8" [3 mm]
SCB12-2-27WH	12" [305 mm]	12" [305 mm]	19" [482 mm]	22-9/16" [573 mm]	1/4" [6 mm]	1/8" [3 mm]
SCB15-2-20PT	15" [381 mm]	15" [381 mm]	17-13/16" [452 mm]	20-3/8" [518 mm]	1/4" [6 mm]	1/8" [3 mm]
SCB15-2-20WH	15" [381 mm]	15" [381 mm]	17-13/16" [452 mm]	20-3/8" [518 mm]	1/4" [6 mm]	1/8" [3 mm]
SCB15-2-35PT	15" [381 mm]	15" [381 mm]	19-5/16" [491 mm]	23-3/8" [594 mm]	1/4" [6 mm]	1/8" [3 mm]
SCB15-2-35WH	15" [381 mm]	15" [381 mm]	19-5/16" [491 mm]	23-3/8" [594 mm]	1/4" [6 mm]	1/8" [3 mm]
SBM12-2-27WH	12" [305 mm]	12" [305 mm]	19" [482 mm]	22-9/16" [573 mm]	1/4" [6 mm]	1/8" [3 mm]
SBM15-2-20WH	15" [381 mm]	15" [381 mm]	17-13/16" [452 mm]	20-3/8" [518 mm]	1/4" [6 mm]	1/8" [3 mm]
SBM15-2-35WH	15" [381 mm]	15" [381 mm]	19-5/16" [491 mm]	22-3/8" [568 mm]	1/4" [6 mm]	1/8" [3 mm]
<b>DOUBLE BIN UNITS: DOOR-MOUNT (BOTTOM-MOUNT)</b>						
WUSC12-2-27PT	11-1/2" [292 mm]	11-3/4" [298 mm]	19-3/4" [502 mm]	22-1/2" [597 mm]	–	1/8" [3 mm]
WUSC12-2-27WH	11-1/2" [292 mm]	11-3/4" [298 mm]	19-3/4" [502 mm]	22-1/2" [597 mm]	–	1/8" [3 mm]
WUSC15-2-35PT	14-1/2" [368 mm]	14-3/4" [375 mm]	19-1/2" [502 mm]	22-1/2" [597 mm]	–	1/8" [3 mm]
WUSC15-2-35WH	14-1/2" [368 mm]	14-3/4" [375 mm]	19-1/2" [502 mm]	22-1/2" [597 mm]	–	1/8" [3 mm]
WUSC18-2-50PT	17" [432 mm]	17" [432 mm]	23-1/4" [591 mm]	22-9/16" [573 mm]	–	1/8" [3 mm]
WUSC18-2-50WH	17" [432 mm]	17" [432 mm]	23-1/4" [591 mm]	22-9/16" [573 mm]	–	1/8" [3 mm]
USC12-2-27PT	12" [305 mm]	12" [305 mm]	19-1/4" [489 mm]	22-9/16" [573 mm]	–	1/8" [3 mm]
USC12-2-27WH	12" [305 mm]	12" [305 mm]	19-1/4" [489 mm]	22-9/16" [573 mm]	–	1/8" [3 mm]
USC15-2-35WH	15" [381 mm]	15" [381 mm]	19-3/16" [487 mm]	22-5/8" [575 mm]	–	1/8" [3 mm]
USC15-2-35PT	15" [381 mm]	15" [381 mm]	19-3/16" [487 mm]	22-5/8" [575 mm]	–	1/8" [3 mm]
USC18-2-50WH	16" [406 mm]	15-5/8" [397 mm]	23-5/16" [592 mm]	22-5/8" [575 mm]	–	1/8" [3 mm]
USC18-2-50PT	16" [406 mm]	15-5/8" [397 mm]	23-5/16" [592 mm]	22-5/8" [575 mm]	–	1/8" [3 mm]
<b>DOUBLE BIN UNITS: DOOR-MOUNT (TOP-MOUNT)</b>						
PDMTM15-2-35WH	15" [381 mm]	15" [381 mm]	18" [457 mm]	22-1/2" [572 mm]	–	1/8" [3 mm]
PDMTM175-2-35WH	17-1/2" [445 mm]	17-1/2" [445 mm]	18" [457 mm]	22-1/2" [572 mm]	–	1/8" [3 mm]
PDMTM18-2-35WH	18" [457 mm]	18" [457 mm]	18" [457 mm]	22-1/2" [572 mm]	–	1/8" [3 mm]
PDMTM21-2-35WH	21" [533 mm]	21" [533 mm]	18" [457 mm]	22-1/2" [572 mm]	–	1/8" [3 mm]
TSC15-2-35WH	15" [381 mm]	15" [381 mm]	18" [457 mm]	23-3/8" [594 mm]	–	1/8" [3 mm]
TSC15-2-35PT	15" [381 mm]	15" [381 mm]	18" [457 mm]	23-3/8" [594 mm]	–	1/8" [3 mm]
TSC18-2-35WH	17-1/2" [445 mm]	17-1/2" [445 mm]	18" [457 mm]	23-3/8" [594 mm]	–	1/8" [3 mm]
TSC18-2-35PT	17-1/2" [445 mm]	17-1/2" [445 mm]	18" [457 mm]	23-3/8" [594 mm]	–	1/8" [3 mm]

Example of Frameless / Euro-Style Cabinet Application



See pages 13-15 for recommended cabinet dimensions and clearances. See page 12 for bin & lid information.



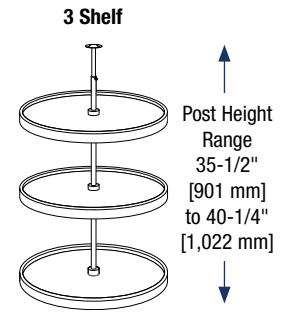
## *Lazy Susans*

Polymer Lazy Susans . . . . .	17
Replacement Parts . . . . .	20
Cabinet & Lip Dimensions . . . . .	21
Diagrams . . . . .	23



## Polymer Full-Round Lazy Susans

- Polymer construction with double wall rim and strengthening ribs
- Rim height is 1"
- Standard pack includes shelves, one post, installation template and hardware
- Independently rotating shelves



STANDARD PACK		BULK PACK		Diameter	Assembled Product Dimensions				Min. Cabinet Opening	Weight Limit per Shelf	Finish	STANDARD PACK		BULK PACK	
Stock #	Number of Shelves	Stock #	Number of Shelves		A	B	C	D				Units per Carton	Carton Weight	Units per Carton	Carton Weight
<b>FULL-ROUND</b>															
PFN18ST-W	2	-	-	18" [457.2 mm]	-	-	-	5-3/4" [146 mm]	30 lbs. [13.6 kg.]	White	1	8.4 lbs. [3.8 kg.]	-	-	
PFN18S3T-W	3	-	-	18" [457.2 mm]	-	-	-	5-3/4" [146 mm]	30 lbs. [13.6 kg.]	White	1	12.1 lbs. [5.5 kg.]	-	-	
PFN20ST-W	2	-	-	20" [508 mm]	-	-	-	6-3/4" [171 mm]	38 lbs. [17.1 kg.]	White	1	10.1 lbs. [4.6 kg.]	-	-	
PFN20S3T-W	3	-	-	20" [508 mm]	-	-	-	6-3/4" [171 mm]	38 lbs. [17.1 kg.]	White	1	14.3 lbs. [6.5 kg.]	-	-	
PFN24ST-W	2	-	-	24" [609.6 mm]	-	-	-	8-1/4" [210 mm]	55 lbs. [24.9 kg.]	White	1	12.1 lbs. [5.5 kg.]	-	-	
PFN28ST-W	2	PFN28SBT-W*	10	28" [711.2 mm]	-	-	-	9-7/8" [251 mm]	78 lbs. [35.4 kg.]	White	1	15.5 lbs. [7.0 kg.]	5	74.4 lbs. [33.8 kg.]	
PFN32ST-W	2	-	-	32" [812.8 mm]	-	-	-	11-1/2" [292 mm]	78 lbs. [35.4 kg.]	White	1	18.2 lbs. [8.3 kg.]	-	-	

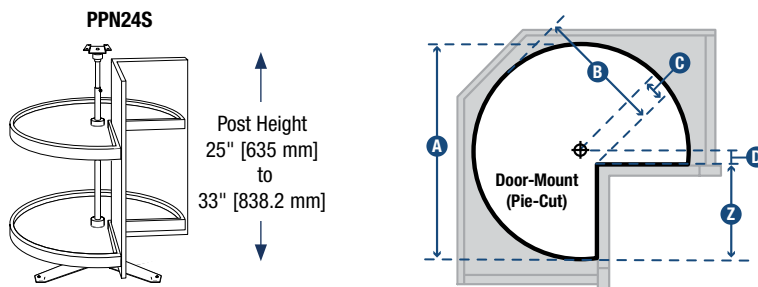
\* Bulk Packs include 25-1/2" [648 mm] – 31-1/2" [800 mm] posts and hardware.





## Polymer Door-Mount Lazy Susans

- Doors attach to Lazy Susan shelves for automatic shelf retrieval

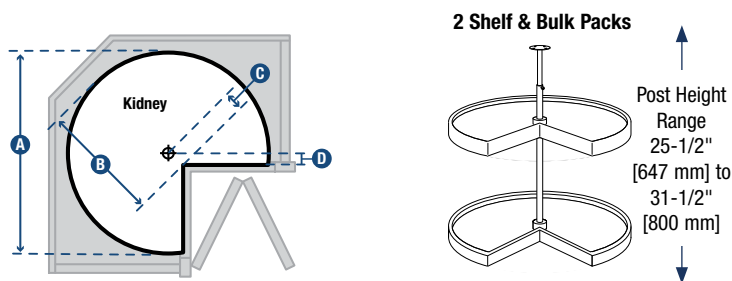


Stock #	Number of Shelves	Diameter		Assembled Product Dimensions			Finish	Units per Carton	Carton Weight
		A	B	C	D	Z			
<b>DOOR-MOUNT</b>									
PPN24S-W	2	24" [609 mm]	14-1/4" [362 mm]	2-1/4" [57 mm]	1-5/8" [41 mm]	10-3/8" [264 mm]	White	1	10.7 lbs. [4.9 kg.]
PPN28S-W	2	28" [711 mm]	18-1/4" [464 mm]	4-1/4" [108 mm]	3-1/16" [78 mm]	10-15/16" [278 mm]	White	1	13.8 lbs. [6.3 kg.]



## Polymer Kidney-Shaped Lazy Susans

- Polymer construction with double wall rim and strengthening ribs
- Rim height is 1"
- Standard pack includes shelves, one post, installation template and hardware
- Independently rotating shelves



Stock #	STANDARD PACK		BULK PACK		Diameter A	Assembled Product Dimensions				Min. Cabinet Opening	Weight Limit per Shelf	Finish	STANDARD PACK		BULK PACK	
	Number of Shelves	Stock #	Number of Shelves	Stock #		B	C	D	Units per Carton				Carton Weight	Units per Carton	Carton Weight	
<b>KIDNEY-SHAPED</b>																
PKN18ST-W	2	-	-	-	18" [457 mm]	10-1/4" [260 mm]	1-1/4" [31 mm]	15/16" [24 mm]	-	23 lbs. [10.4 kg.]	White	1	7.9 lbs. [3.6 kg.]	-	-	
PKN24ST-W	2	PKN24SBT-W*	10	-	24" [609 mm]	14-1/4" [362 mm]	2-1/4" [57 mm]	1-5/8" [40 mm]	-	45 lbs. [20.4 kg.]	White	1	9.9 lbs. [4.5 kg.]	5	45.2 lbs. [20.5 kg.]	
PKN28ST-W	2	PKN28SBT-W*	10	-	28" [711 mm]	18-1/4" [464 mm]	4-1/4" [107 mm]	3-1/16" [76 mm]	-	67 lbs. [30.4 kg.]	White	1	13 lbs. [5.9 kg.]	5	58.8 lbs. [26.7 kg.]	
PKN32ST-W	2	-	-	-	32" [812 mm]	22-1/4" [565 mm]	6-1/4" [158 mm]	4-7/16" [112 mm]	-	93 lbs. [42.2 kg.]	White	1	13 lbs. [5.9 kg.]	-	-	



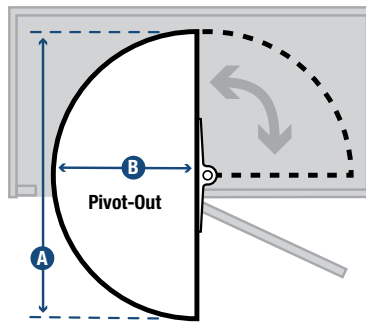
**Pivot/Glide Operation**  
(shown using two PHM28PG-W)



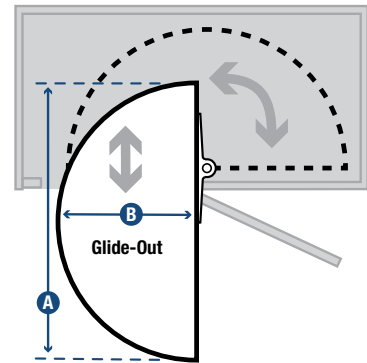
**Glide/Glide Operation**  
(shown using two PHM28GG-W)

## Polymer Half-Moon Lazy Susans

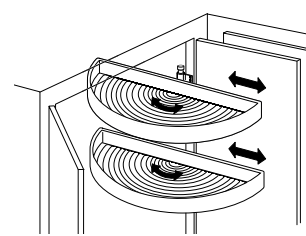
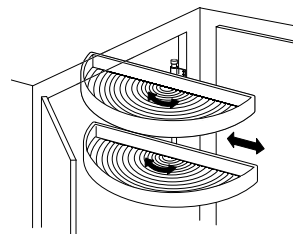
- Shelves move independently on chrome 1" diameter post
- All models operate in both right- or left-handed applications
- Pivot/Pivot Operation: both shelves pivot out
- Pivot/Glide Operation: top shelf pivots out / bottom shelf pivots and glides out
- Glide/Glide Operation: both shelves pivot and glide out
- All glide-out shelves extend 11-3/4" on precision ball-bearing slides



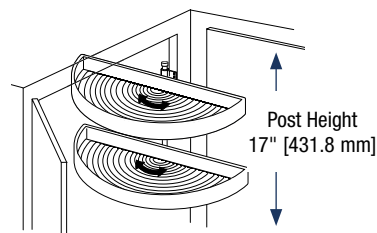
PHM28PG-W



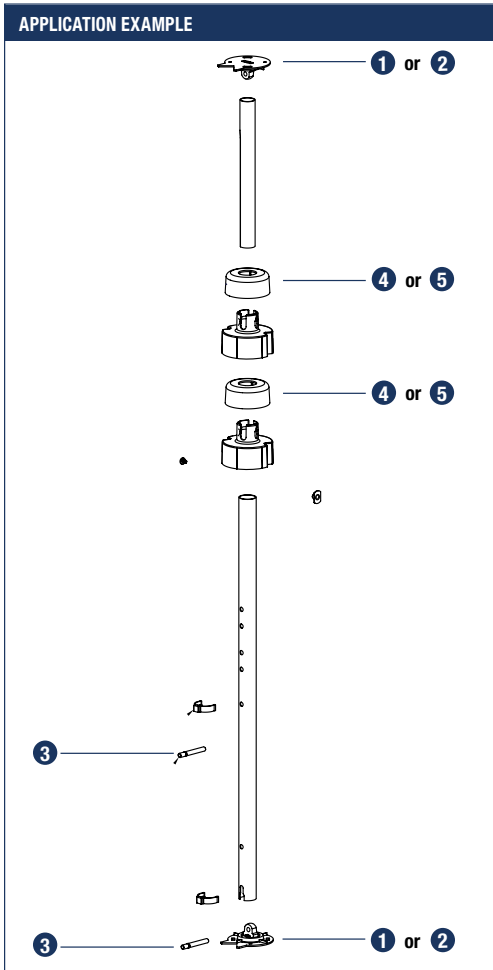
PHM28PG-W



PHM28PP-W



Stock #	A	B	Finish	Units per Carton	Carton Weight
<b>PIVOT/PIVOT [TOP/BOTTOM] SHELF MOTION</b>					
PHM28PP-W	27-7/8" [708 mm]	13" [330 mm]	White	1	13 lbs. [5.9 kg.]
<b>PIVOT/GLIDE [TOP/BOTTOM] SHELF MOTION</b>					
PHM28PG-W	27-7/8" [708 mm]	13" [330 mm]	White	1	16.5 lbs. [7.5 kg.]
PHM34PG-W	33-7/8" [860 mm]	16" [406 mm]	White	1	20 lbs. [9.1 kg.]
PHM40PG-W	39-7/8" [1,013 mm]	19" [483 mm]	White	1	27.4 lbs. [12.4 kg.]
<b>GLIDE/GLIDE [TOP/BOTTOM] SHELF MOTION</b>					
PHM28GG-W	27-7/8" [708 mm]	13" [330 mm]	White	1	19.8 lbs. [9.0 kg.]
PHM34GG-W	33-7/8" [860 mm]	16" [406 mm]	White	1	22.1 lbs. [10.0 kg.]
PHM40GG-W	39-7/8" [1,013 mm]	19" [483 mm]	White	1	30.8 lbs. [14.0 kg.]

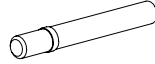


## Individual Hardware Replacement Parts

### HUB-PIN

Bearing Pin for Lazy Susans

(For Polymer/Wood Full-Round, Kidney Door-Mount, and Single Shelf Lazy Susans)

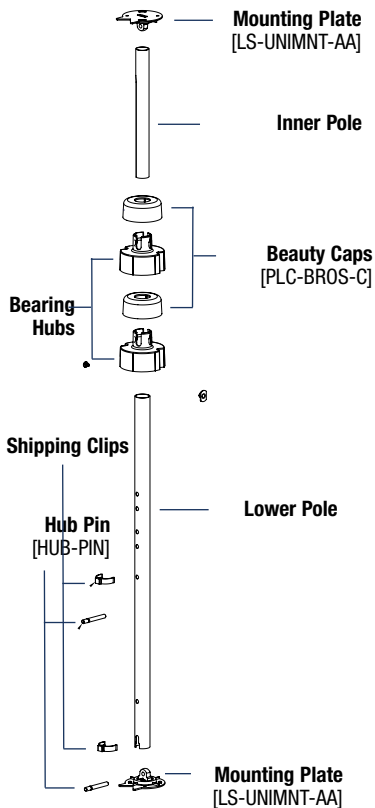


Stock #	Description	Units	Weight per Unit
---------	-------------	-------	-----------------

**INDIVIDUAL HARDWARE PARTS (SOLD PER UNIT)**

HUB-PIN	Bearing Pin for Lazy Susans	1	0.5 lbs. [0.2 kg.]
---------	-----------------------------	---	--------------------

### For POLYMER Full-Round / Kidney Shelves



## Lazy Susan Post Replacement Parts

Standard Pack #	Pkd.	For Shelf Types(s)	Bearing Hubs	Beauty/Post Caps	Mounting Plates	Post Height Range	STD. PK. Carton Weight	Bulk PK. Carton Weight
-----------------	------	--------------------	--------------	------------------	-----------------	-------------------	------------------------	------------------------

**POST HARDWARE PACKS: FULL-ROUND**

HN-F-TEL-PT	1	Polymer	White	—	Metal Unimount	25-1/2" – 31-1/2" [635 mm – 787 mm]	4.8 lbs. [2.2 kg.]	24 lbs. [10.9 kg.]
-------------	---	---------	-------	---	----------------	--	-----------------------	-----------------------

**POST HARDWARE PACKS: KIDNEY-SHAPED**

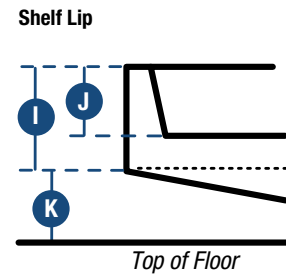
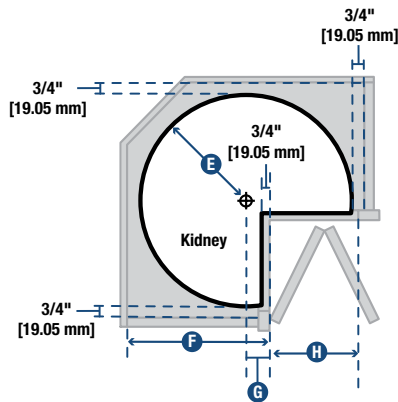
HN-K-TEL-PT	1	Polymer	White	Chrome	Metal Unimount	25-1/2" – 31-1/2" [635 mm – 787 mm]	1.9 lbs. [0.9 kg.]	9.5 lbs. [4.3 kg.]
-------------	---	---------	-------	--------	----------------	--	-----------------------	-----------------------



# Cabinet and Shelf Lip Dimensions

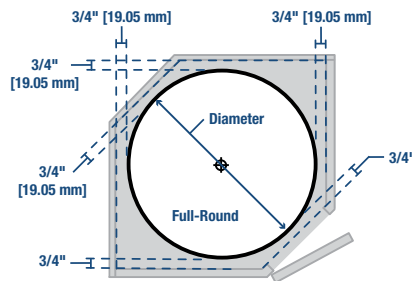
Stock #	E	F	G	H	I	J	K	Mounting
<b>POLYMER KIDNEY-SHAPED LAZY SUSANS</b>								
PKN18ST-W	9" [229 mm]	11-7/16" [291 mm]	1-11/16" [43 mm]	7-5/8" [194 mm]	1-3/4" [44 mm]	1" [25 mm]	1/2" – 1-5/16" [13 – 33 mm]	Top/Bottom
PKN24ST-W	12" [305 mm]	15-1/8" [384 mm]	2-3/8" [60 mm]	10" [254 mm]	1-3/4" [44 mm]	1" [25 mm]	1/2" – 1-5/16" [13 – 33 mm]	Top/Bottom
PKN28ST-W	14" [356 mm]	18-9/16" [471 mm]	3-13/16" [97 mm]	10-1/4" [260 mm]	1-3/4" [44 mm]	1" [25 mm]	1/2" – 1-5/16" [13 – 33 mm]	Top/Bottom
PKN32ST-W	16" [406 mm]	21-15/16" [557 mm]	5-3/16" [132 mm]	10-1/2" [267 mm]	1-3/4" [44 mm]	1" [25 mm]	1/2" – 1-5/16" [13 – 33 mm]	Top/Bottom

- E** = Radius
- F** = Min. Cabinet Depth
- G** = Center of Rotation
- H** = Min. Cabinet Opening



## POLYMER FULL-ROUND LAZY SUSANS

A minimum 3/4" side clearance is recommended between Full-Round Lazy Susan shelves and all adjacent interior surfaces (cabinet, wall, etc.).



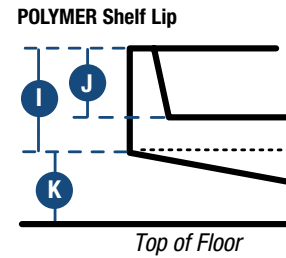
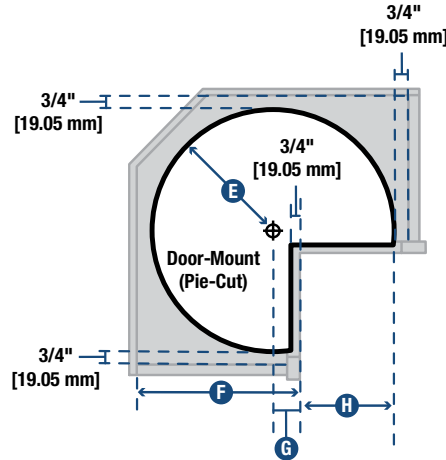
Dimensions shown are recommended minimum cabinet dimensions and clearances.

# Cabinet and Shelf Lip Dimensions

Stock #	E	F	G	H	I	J	K	Mounting
<b>POLYMER DOOR-MOUNT / PIE-CUT LAZY SUSANS</b>								
PPN24S-W	12" [305 mm]	15-1/8" [384 mm]	2-3/8" [60 mm]	10" [254 mm]	1-3/4" [44 mm]	1" [25 mm]	1-1/16 – 1-7/8" [27 – 47 mm]	Top/Bottom
PPN28S-W	14" [356 mm]	18-9/16" [471 mm]	3-13/16" [97 mm]	10-1/4" [260 mm]	1-3/4" [44 mm]	1" [25 mm]	1-1/16 – 1-7/8" [27 – 47 mm]	Top/Bottom

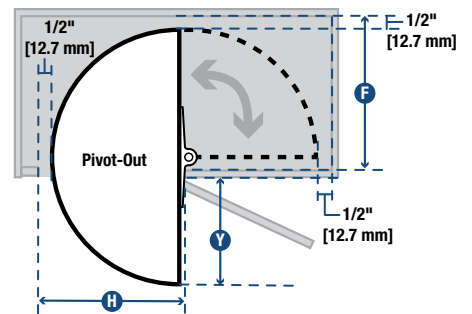
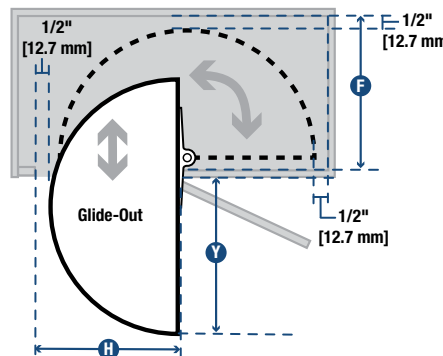
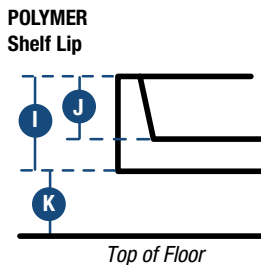
- E** = Radius
- F** = Min. Cabinet Depth
- G** = Center of Rotation
- H** = Min. Cabinet Opening

1/4" Gap Between Face Frame and Door



Stock #	F	H	I	J	K	Y	Mounting
<b>POLYMER HALF-MOON LAZY SUSANS</b>							
PHM28PP-W	16-1/4" [413 mm]	13-3/4" [349 mm]	2-1/2" [64 mm]	1-1/2" [38 mm]	2" [51 mm]	11-1/2" [292 mm]	Side/Bottom
PHM28PG-W	16-1/4" [413 mm]	13-3/4" [349 mm]	2-1/2" [64 mm]	1-1/2" [38 mm]	2-11/16" [68 mm]	23-1/4" [591 mm]	Side/Bottom
PHM34PG-W	19-1/4" [489 mm]	16-3/4" [425 mm]	2-1/2" [64 mm]	1-1/2" [38 mm]	2-11/16" [68 mm]	26-1/4" [667 mm]	Side/Bottom
PHM40PG-W	22-1/4" [565 mm]	19-3/4" [502 mm]	2-1/2" [64 mm]	1-1/2" [38 mm]	2-11/16" [68 mm]	29-1/4" [743 mm]	Side/Bottom
PHM28GG-W	16-1/4" [413 mm]	13-3/4" [349 mm]	2-1/2" [64 mm]	1-1/2" [38 mm]	2-11/16" [68 mm]	23-1/4" [591 mm]	Side/Bottom
PHM34GG-W	19-1/4" [489 mm]	16-3/4" [425 mm]	2-1/2" [64 mm]	1-1/2" [38 mm]	2-11/16" [68 mm]	26-1/4" [677 mm]	Side/Bottom
PHM40GG-W	22-1/4" [565 mm]	19-3/4" [502 mm]	2-1/2" [64 mm]	1-1/2" [38 mm]	2-11/16" [68 mm]	29-1/4" [743 mm]	Side/Bottom

- F** = Min. Cabinet Depth
- H** = Min. Cabinet Opening

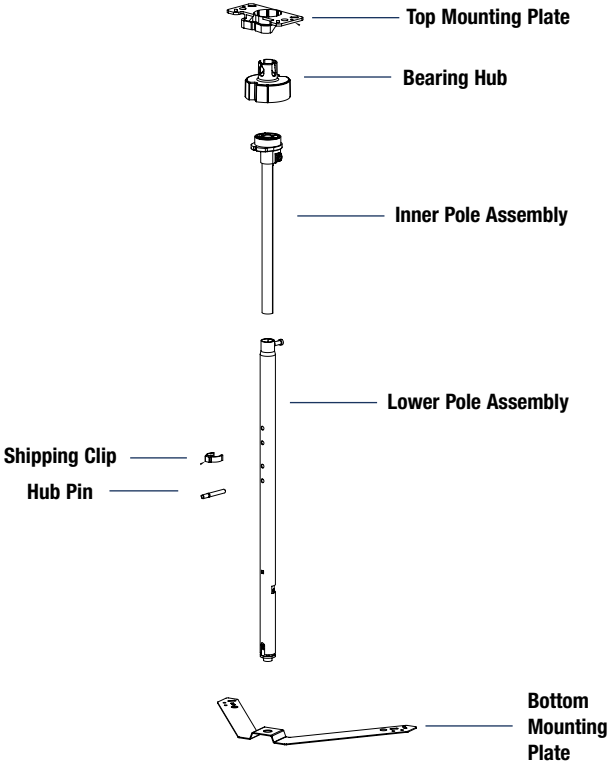


Dimensions shown are recommended minimum cabinet dimensions and clearances.

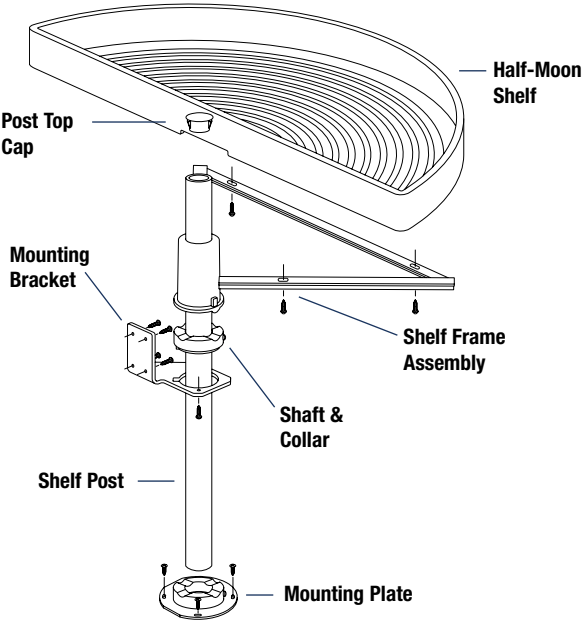
Customer Service: 1.800.253.1561

# Lazy Susan Post Diagrams

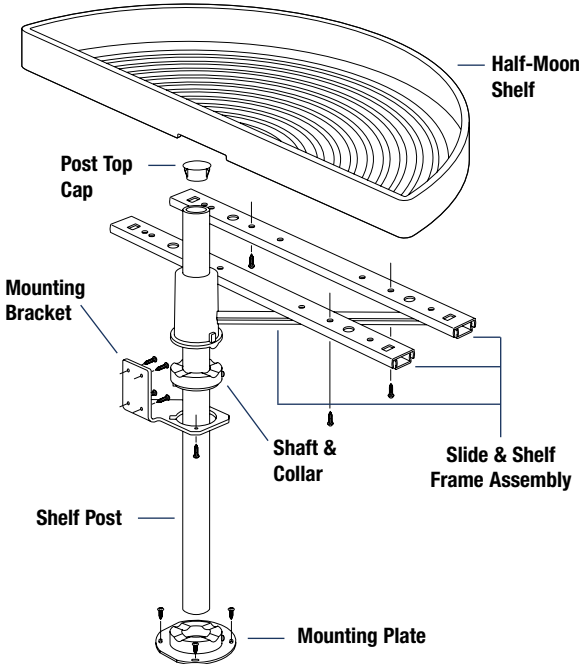
## For POLYMER Door-Mount/Pie-Cut Lazy Susans



## For POLYMER Pivot-Out Glide-Out Lazy Susan Shelves



## For POLYMER Half-Moon Glide-Out Lazy Susan Shelves

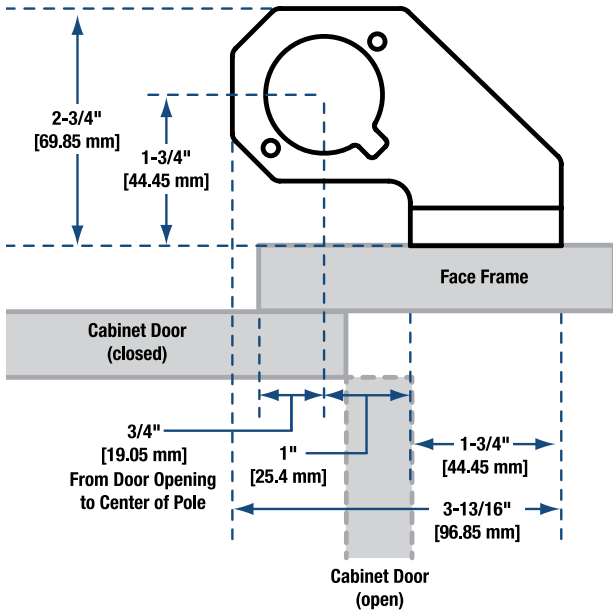


For illustration purposes diagrams on this page are shown with one shelf. See individual product pages for more information.

# Lazy Susan Post Diagrams

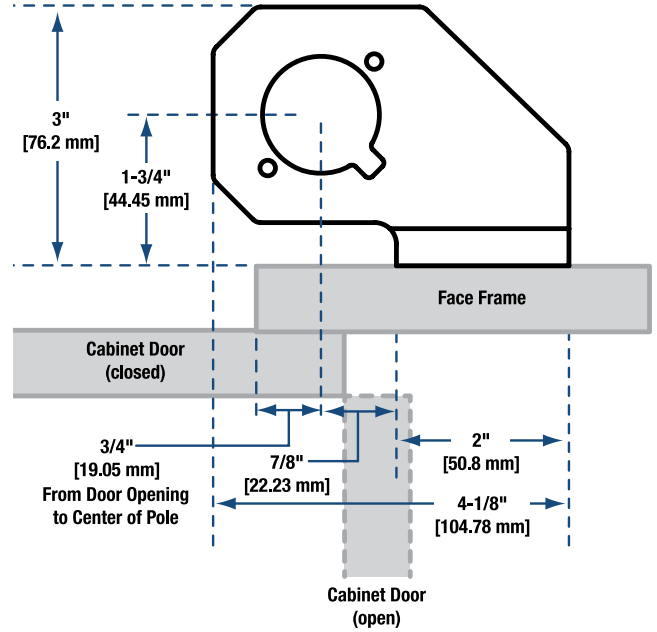
## POLYMER HALF MOON HINGE BRACKETS

For PHM28 and PHM34 Part Numbers



NOTE: For frameless cabinet applications, move bracket 1-1/4" [31.75 mm] toward cabinet opening.

For PHM40 Part Numbers



NOTE: For frameless cabinet applications, move bracket 1-1/4" [31.75 mm] toward cabinet opening.





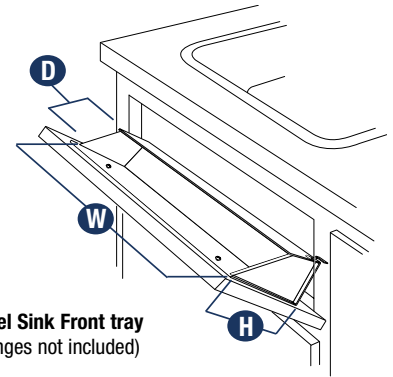
## *Sink Front Trays*

Steel Sink Front Trays .....	26
Polymer & Extruded Sink Front Trays .....	27
Scissor & Euro-Tray Hinges .....	30
Cabinet Dimensions .....	31

## Steel Sink Front Trays

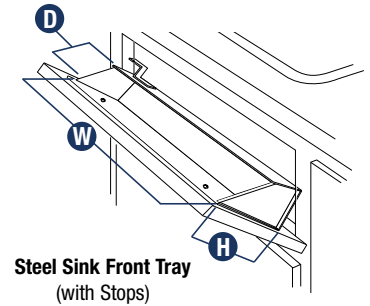


- 2" deep tray
- Designed for use with Scissor or Euro-Tray Hinges (Sold separately. See page 30.)
- For use with face frame or frameless (Euro-Style) cabinetry



## Steel Sink Front Trays (with stops)

- 1-5/8" built-in stop prevents items from tipping out
- Designed for use with standard self-closing hinges (not included) used on most cabinetry
- For use with face frame or frameless (Euro-Style) cabinetry



Stock #	Width <b>W</b>	Height* <b>H</b>	Depth <b>D</b>	Finish	Units per Carton	Weight per Carton
<b>STEEL SINK FRONT TRAYS (WITHOUT STOPS)</b>						
SF10	3" [76 mm]	10-1/16" [256 mm]	2" [51 mm]	Stainless Steel	10	4.7 lbs. [2.1 kg.]
SF11	3" [76 mm]	11-5/16" [287 mm]	2" [51 mm]	Stainless Steel	10	4.9 lbs. [2.2 kg.]
SF13	3" [76 mm]	13-1/16" [332 mm]	2" [51 mm]	Stainless Steel	10	5.6 lbs. [2.5 kg.]
SF14	3" [76 mm]	14" [356 mm]	2" [51 mm]	Stainless Steel	10	6.7 lbs. [3.0 kg.]
SF16	3" [76 mm]	16-1/16" [408 mm]	2" [51 mm]	Stainless Steel	10	7.1 lbs. [3.2 kg.]
SF19	3" [76 mm]	19-1/16" [484 mm]	2" [51 mm]	Stainless Steel	10	7.6 lbs. [3.4 kg.]
SF22	3" [76 mm]	22-1/16" [560 mm]	2" [51 mm]	Stainless Steel	10	8.9 lbs. [4.0 kg.]
SF25	3" [76 mm]	25-1/16" [637 mm]	2" [51 mm]	Stainless Steel	10	9.4 lbs. [4.2 kg.]
SF28	3" [76 mm]	28-1/16" [713 mm]	2" [51 mm]	Stainless Steel	10	10.4 lbs. [4.7 kg.]
SF31	3" [76 mm]	31-1/16" [789 mm]	2" [51 mm]	Stainless Steel	10	11.2 lbs. [5.0 kg.]
<b>STEEL SINK FRONT TRAYS (WITH STOPS)</b>						
SF10W	3" [76 mm]	11-5/8" [295 mm]	3" [76 mm]	Stainless Steel	10	5 lbs. [2.3 kg.]
SF11W	3" [76 mm]	12-7/8" [327 mm]	3" [76 mm]	Stainless Steel	10	5.4 lbs. [2.4 kg.]
SF13W	3" [76 mm]	14-5/8" [371 mm]	3" [76 mm]	Stainless Steel	10	5.8 lbs. [2.6 kg.]
SF14W	3" [76 mm]	15-9/16" [395 mm]	3" [76 mm]	Stainless Steel	10	6.0 lbs. [2.7 kg.]
SF16W	3" [76 mm]	17-5/8" [448 mm]	3" [76 mm]	Stainless Steel	10	6.9 lbs. [3.1 kg.]
SF19W	3" [76 mm]	20-5/8" [524 mm]	3" [76 mm]	Stainless Steel	10	7.6 lbs. [3.4 kg.]
SF22W	3" [76 mm]	23-5/8" [600 mm]	3" [76 mm]	Stainless Steel	10	9.1 lbs. [4.1 kg.]
SF25W	3" [76 mm]	26-5/8" [676 mm]	3" [76 mm]	Stainless Steel	10	11.8 lbs. [5.4 kg.]
SF28W	3" [76 mm]	29-5/8" [752 mm]	3" [76 mm]	Stainless Steel	10	13.9 lbs. [6.3 kg.]
SF31W	3" [76 mm]	32-5/8" [829 mm]	3" [76 mm]	Stainless Steel	10	14.5 lbs. [6.6 kg.]

Uses two - #8 x 1/2 screws (not included).

Customer Service: 1.800.253.1561



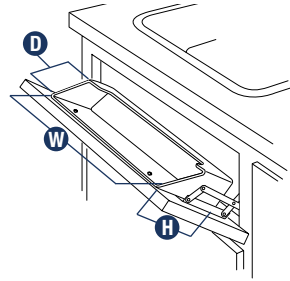
**PSF11-W**  
(Without ring holder)  
(Hinges not included)



**PSF11RS-W**  
(Includes ring holder)  
(Hinges not included)

## Polymer Sink Front Trays

- 2" deep tray
- Designed for use with Scissor or Euro-Tray Hinges (Sold separately. See page 30.)
- For use with face frame or frameless (Euro-Style) cabinetry



**Polymer Sink Front Tray**

See pages 31 for recommended cabinet dimensions and clearances.

Stock #	Width <b>W</b>	Height* <b>H</b>	Depth <b>D</b>	Finish	Ring Holder	Units per Carton	Weight per Carton
<b>POLYMER SINK FRONT TRAYS</b>							
PSF8.62-W	3" [76 mm]	8-5/8" [219 mm]	2" [51 mm]	White	No	10	2.9 lbs. [1.3 kg.]
PSF11-PF-W	3" [76 mm]	11" [279 mm]	1-5/8" [41 mm]	White	No	10	3.3 lbs. [1.5 kg.]
PSF11-W	3" [76 mm]	11" [279 mm]	2" [51 mm]	White	No	10	3 lbs. [1.4 kg.]
PSF11RS-W	3" [76 mm]	11" [279 mm]	2" [51 mm]	White	Yes	10	3.1 lbs. [1.4 kg.]
PSF14-PF-W	3" [76 mm]	14" [356 mm]	1-5/8" [41 mm]	White	No	10	3.6 lbs. [1.6 kg.]
PSF14-W	3" [76 mm]	14" [356 mm]	2" [51 mm]	White	No	10	3.5 lbs. [1.5 kg.]
PSF14RS-W	3" [76 mm]	14" [356 mm]	2" [51 mm]	White	Yes	10	3.6 lbs. [1.6 kg.]
PSF2425-W	3" [76 mm]	24-3/8" [619 mm]	2" [51 mm]	White	No	10	6.2 lbs. [2.8 kg.]
PSF3025-W	3" [76 mm]	30-7/16" [773 mm]	2" [51 mm]	White	No	10	7.2 lbs. [3.3 kg.]

Uses two - #8 x 1/2 screws (not included).





**PSF14SH-2-W**  
(Hinges included)



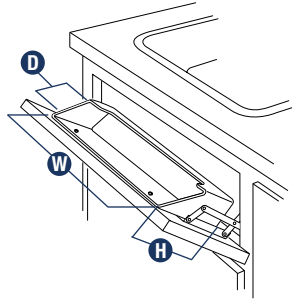
**PSF11SH-2-W**  
(Hinges included)



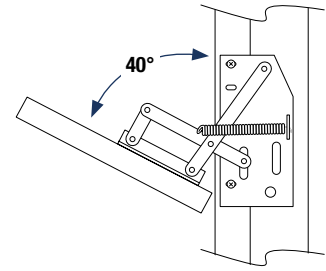
Kits include 2 pairs of Scissor Hinges (SH-10)

## Polymer Sink Front Trays & Hinge Kits

- 1-5/8" deep tray is ideal for solid surface countertops with large deep sink applications
- For use with face frame or frameless (Euro-Style) cabinetry
- Two trays, two pairs of Scissor Hinges (SH-1) with hardware and instructions included



**Polymer Sink Front Tray & Hinge Kit**



**Scissor Hinge**  
(SH-10)

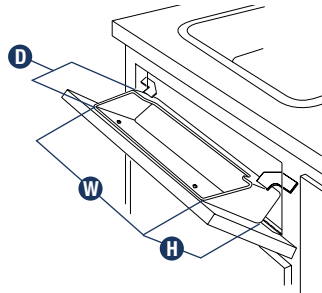
Stock #	Width <b>W</b>	Height* <b>H</b>	Depth <b>D</b>	Finish	Kits per Carton	Weight per Carton
<b>POLYMER SINK FRONT TRAYS &amp; HINGE KITS</b>						
PSF11-PF-SH-2-W	3" [76 mm]	11" [279 mm]	1-5/8" [41 mm]	White	10	1.6 lbs. [0.7 kg.]
PSF11SH-2-W	3" [76 mm]	11" [279 mm]	2" [51 mm]	White	40	1.8 lbs. [0.8 kg.]
PSF14-PF-SH-2-W	3" [76 mm]	14" [356 mm]	1-5/8" [41 mm]	White	10	2.0 lbs. [0.9 kg.]
PSF14SH-2-W	3" [76 mm]	14" [356 mm]	2" [51 mm]	White	21	2.2 lbs. [1.0 kg.]





## Polymer Sink Front Trays (with stops)

- Designed for use with Scissor or Euro-Tray Hinges (Sold separately. See page 30.)
- For use with face frame or frameless (Euro-Style) cabinetry
- Built-in stops prevent items from tipping out

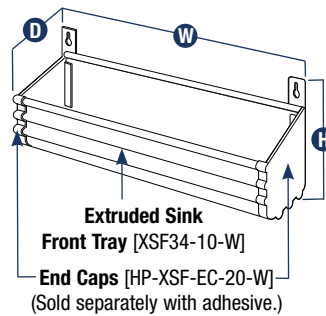


**Polymer Sink Front Tray  
with Stops**



## Extruded Sink Front Trays

- Extruded Sink Front Tray (cut-to-fit 34" or 72" widths)
- For face frame or frameless (Euro-Style) cabinetry
- Designed for use with Scissor or Euro-Tray Hinges (Sold separately. See page 30.)
- Easy-to-clean, durable white PVC



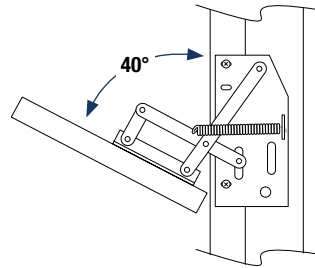
**Extruded Sink  
Front Tray [XSF34-10-W]  
End Caps [HP-XSF-EC-20-W]  
(Sold separately with adhesive.)**

Stock #	Width <b>W</b>	Height* <b>H</b>	Depth <b>D</b>	Finish	Units per Carton	Weight per Carton
<b>POLYMER SINK FRONT TRAYS WITH STOPS*</b>						
PSF11W-W	3" [76 mm]	12-3/8" [314 mm]	2-3/4" [70 mm]	White	10	3.3 lbs. [1.5 kg.]
PSF14W-W	3" [76 mm]	15-3/8" [391 mm]	2-3/4" [70 mm]	White	10	3.6 lbs. [1.6 kg.]
<b>EXTRUDED SINK FRONT TRAYS</b>						
XSF34-10-W	4" [102 mm]	33-3/4" [857 mm]	2-1/8" [60 mm]	White	10	6.9 lbs. [3.1 kg.]
XSF72-10-W	4" [102 mm]	72" [1,829 mm]	2-1/8" [60 mm]	White	10	15.7 lbs. [7.1 kg.]
HP-XSF-EC-20-W	4" [102 mm]	3/4" [19 mm]	2-3/8" [60 mm]	White	20 pairs	2.2 lbs. [1 kg.]

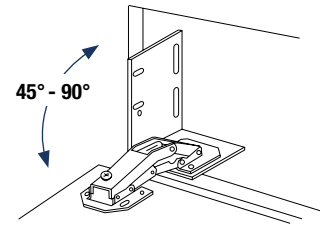
Uses two - #8 x 1/2 screws (not included).

## Scissor & Euro-Tray Hinges

- Scissor Hinges are spring-loaded and self-closing with internal stop
- For use with face frame or frameless (Euro-Style) cabinetry
- Mounting hardware and instructions included
- Not intended for full overlay or inset cabinet applications



Scissor Hinge (SH-10)



Euro-Tray Hinge (ET-H-N)

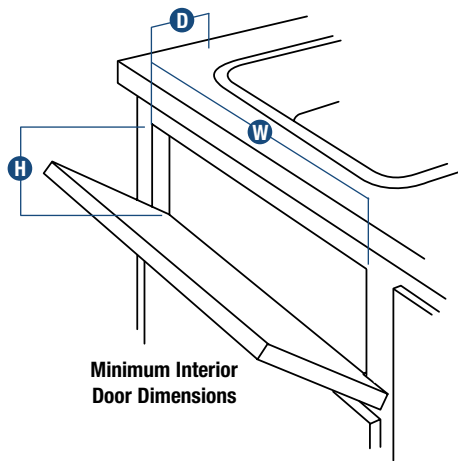


Stock #	Width <b>W</b>	Height* <b>H</b>	Depth <b>D</b>	Finish	Units per Carton	Weight per Carton
<b>SCISSOR HINGES</b>						
SH-1-S/P	3-13/16" [97 mm]	2-7/8" [73 mm]	1-7/8" [48 mm]	Nickel-Plated	1 pair	1 lbs. [0.5 kg.]
SH-10	3-13/16" [97 mm]	2-7/8" [73 mm]	1-7/8" [48 mm]	Nickel-Plated	10 pair	5.1 lbs. [2.3 kg.]
SH-40	3-13/16" [97 mm]	2-7/8" [73 mm]	1-7/8" [48 mm]	Nickel-Plated	40 pair	20 lbs. [9.1 kg.]
<b>EURO-TRAY HINGES</b>						
ET-H-N	2-7/8" [73 mm]	3-3/4" [95 mm]	2-1/4" [57 mm]	Nickel-Plated	10 pair	6.4 lbs. [2.9 kg.]

Uses two - #8 x 1/2 screws (not included).

Customer Service: 1.800.253.1561

# Cabinet Dimensions



Stock #	Height <b>H</b>	Width <b>W</b> (Scissor Hinges)	Width <b>W</b> (Euro-Tray Hinges)	Depth <b>D</b>
<b>POLYMER SINK FRONT TRAYS</b>				
PSF8.62-W	3-1/2" [89 mm]	10-1/8" [257 mm]	12-7/8" [327 mm]	2-1/2" [64 mm]
PSF11-PF-W	3-1/2" [89 mm]	12-1/2" [318 mm]	15-1/4" [387 mm]	2-1/8" [54 mm]
PSF11-W	3-1/2" [89 mm]	12-1/2" [318 mm]	15-1/4" [387 mm]	2-1/2" [64 mm]
PSF11RS-W	3-1/2" [89 mm]	12-1/2" [318 mm]	15-1/4" [387 mm]	2-1/2" [64 mm]
PSF14-PF-W	3-1/2" [89 mm]	15-1/2" [394 mm]	18-1/4" [464 mm]	2-1/8" [54 mm]
PSF14-W	3-1/2" [89 mm]	15-1/2" [394 mm]	18-1/4" [464 mm]	2-1/2" [64 mm]
PSF14RS-W	3-1/2" [89 mm]	15-1/2" [394 mm]	18-1/4" [464 mm]	2-1/2" [64 mm]
PSF2425-W	3-1/2" [89 mm]	25-7/8" [657 mm]	28-5/8" [727 mm]	2-1/2" [64 mm]
PSF3025-W	3-1/2" [89 mm]	31-15/16" [811 mm]	34-11/16" [881 mm]	2-1/2" [64 mm]
<b>EXTRUDED SINK FRONT TRAYS (DIMENSIONS INCLUDE HP-XSF-EC-20-W END CAPS)</b>				
XSF34-10-W	4-1/2" [114 mm]	35-1/2" [902 mm]	38-1/4" [972 mm]	2-7/8" [114 mm]
XSF72-10-W	4-1/2" [114 mm]	73-3/4" [1,873 mm]	76-1/2" [1,943 mm]	2-7/8" [114 mm]

Stock #	Width <b>W</b>	Height* <b>H</b>	Depth <b>D</b>
<b>STEEL SINK FRONT TRAYS (WITHOUT STOPS)</b>			
SF10	3" [76 mm]	10-1/16" [256 mm]	2" [51 mm]
SF11	3" [76 mm]	11-5/16" [287 mm]	2" [51 mm]
SF13	3" [76 mm]	13-1/16" [332 mm]	2" [51 mm]
SF14	3" [76 mm]	14" [356 mm]	2" [51 mm]
SF16	3" [76 mm]	16-1/16" [408 mm]	2" [51 mm]
SF19	3" [76 mm]	19-1/16" [484 mm]	2" [51 mm]
SF22	3" [76 mm]	22-1/16" [560 mm]	2" [51 mm]
SF25	3" [76 mm]	25-1/16" [637 mm]	2" [51 mm]
SF28	3" [76 mm]	28-1/16" [713 mm]	2" [51 mm]
SF31	3" [76 mm]	31-1/16" [789 mm]	2" [51 mm]
<b>STEEL SINK FRONT TRAYS (WITH STOPS)</b>			
SF10W	3" [76 mm]	11-5/8" [295 mm]	3" [76 mm]
SF11W	3" [76 mm]	12-7/8" [327 mm]	3" [76 mm]
SF13W	3" [76 mm]	14-5/8" [371 mm]	3" [76 mm]
SF14W	3" [76 mm]	15-9/16" [395 mm]	3" [76 mm]
SF16W	3" [76 mm]	17-5/8" [448 mm]	3" [76 mm]
SF19W	3" [76 mm]	20-5/8" [524 mm]	3" [76 mm]
SF22W	3" [76 mm]	23-5/8" [600 mm]	3" [76 mm]
SF25W	3" [76 mm]	26-5/8" [676 mm]	3" [76 mm]
SF28W	3" [76 mm]	29-5/8" [752 mm]	3" [76 mm]
SF31W	3" [76 mm]	32-5/8" [829 mm]	3" [76 mm]
<b>POLYMER SINK FRONT TRAYS &amp; HINGE KITS (DIMENSIONS INCLUDE HINGE KITS)</b>			
PSF11-PF-SH-2-W	3" [76 mm]	11" [279 mm]	1-5/8" [41 mm]
PSF11SH-2-W	3" [76 mm]	11" [279 mm]	2" [51 mm]
PSF14-PF-SH-2-W	3" [76 mm]	14" [356 mm]	1-5/8" [41 mm]
PSF14SH-2-W	3" [76 mm]	14" [356 mm]	2" [51 mm]
<b>POLYMER SINK FRONT TRAYS WITH STOPS*</b>			
PSF11W-W	3" [76 mm]	12-3/8" [314 mm]	2-3/4" [70 mm]
PSF14W-W	3" [76 mm]	15-3/8" [391 mm]	2-3/4" [70 mm]
<b>SCISSOR HINGES</b>			
SH-1-S/P	3-13/16" [97 mm]	2-7/8" [73 mm]	1-7/8" [48 mm]
SH-10	3-13/16" [97 mm]	2-7/8" [73 mm]	1-7/8" [48 mm]
SH-40	3-13/16" [97 mm]	2-7/8" [73 mm]	1-7/8" [48 mm]
<b>EURO-TRAY HINGES</b>			
ET-H-N	2-7/8" [73 mm]	3-3/4" [95 mm]	2-1/4" [57 mm]



## *Pull-Out Systems*

Wood & Wire .....	33
Wire .....	35
Specialty .....	36
Cabinet Dimensions .....	38

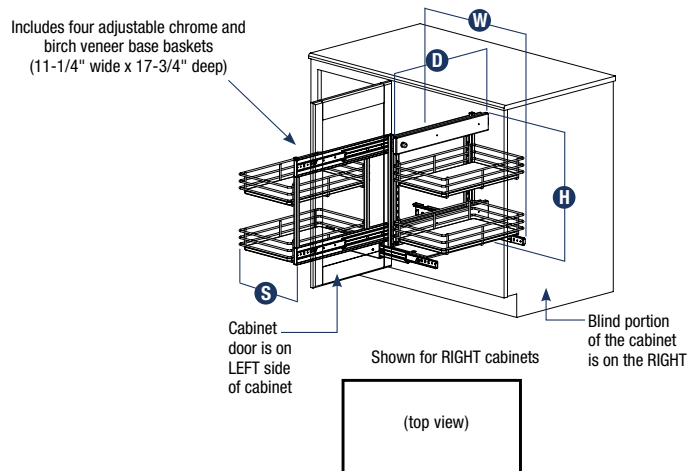
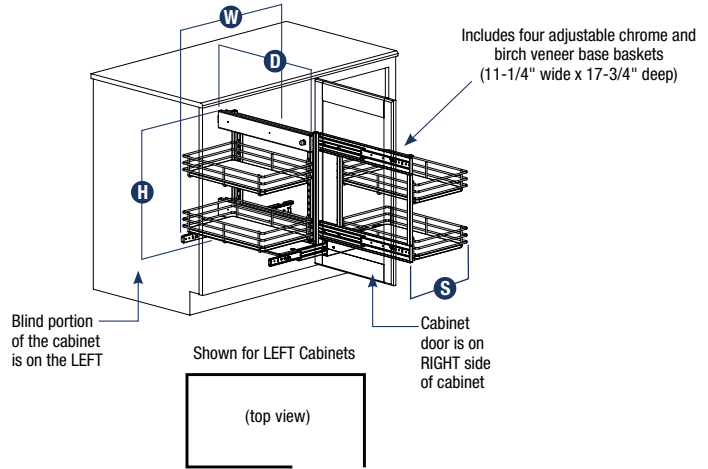
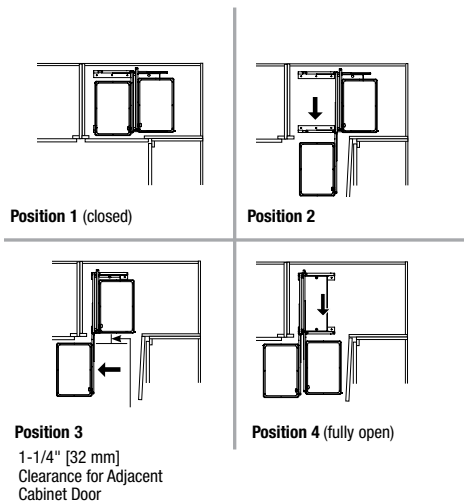




BCUS-LR-15-CH-P

## Slide-Out Base Blind Corner Unit

- Chrome
- Provides easy access to hard-to-reach blind corners
- Opens by manually pulling each half of the unit out of cabinet in three easy steps
- Heavy-duty precision ball-bearing slides
- Unit can be installed as left or right handed



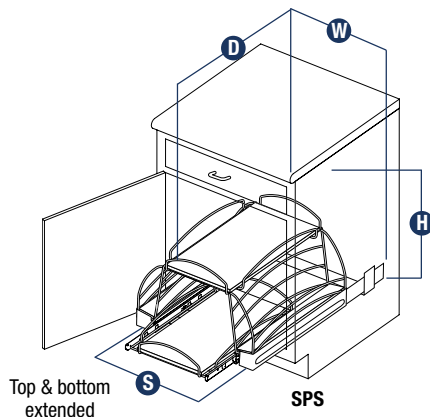
Stock #	Assembled Product Dimensions				Finish	Units per Carton	Weight per Carton
	Sliding Assembly Width <b>S</b>	Height <b>H</b>	Width <b>W</b>	Depth <b>D</b>			
BCUS-LR-15-CH	11" [279 mm]	20-1/2" [292 mm]	25-1/2" [445 mm]	17-7/8" [572 mm]	Chrome	1	62.9 lbs. [5.7 kg.]



**SPS27-FN**  
(Top and bottom extended)

## Pot & Pan Caddy

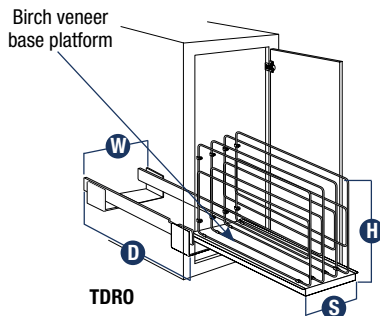
- Two separate pull-out sections provide flexible pot and pan storage and access
- Pre-finished Birch veneer platforms with contoured skirting and Frosted Nickel heavy-gauge wire fencing
- Easy installation with only four screws



**Tray Divider Roll-Out**  
(TDRO-FNW-9 shown)

## Wood & Wire Tray Divider Roll-Outs

- Heavy gauge Frosted Nickel wire frames
- Birch veneer base platform
- Slides out on heavy-duty, full-extension ball-bearing slides

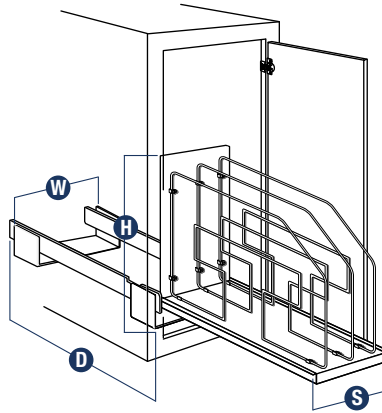


Stock #	Assembled Product Dimensions				Finish	Units per Carton	Weight per Carton
	Sliding Assembly Width <b>S</b>	Width <b>W</b>	Height <b>H</b>	Depth <b>D</b>			
<b>POT &amp; PAN CADDY</b>							
SPS21-FN	19-1/2" [495 mm]	19-1/2" [495 mm]	14-1/4" [362 mm]	22-1/4" [565 mm]	Frosted Nickel/Birch	1	32.6 lbs. [14.8 kg.]
SPS27-FN	25-1/2" [648 mm]	25-1/2" [648 mm]	14-1/4" [362 mm]	22-1/4" [565 mm]	Frosted Nickel/Birch	1	33.8 lbs. [15.3 kg.]
<b>WOOD &amp; WIRE TRAY DIVIDER ROLL-OUTS</b>							
TDRO-FNW-6	5-1/2" [140 mm]	5-1/2" [140 mm]	14" [356 mm]	22-1/4" [565 mm]	Frosted Nickel/Birch	1	11.5 lbs. [5.2 kg.]
TDRO-FNW-9	8-1/2" [216 mm]	8-1/2" [216 mm]	14" [356 mm]	22-1/4" [565 mm]	Frosted Nickel/Birch	1	13.9 lbs. [6.3 kg.]



## Tray Divider Roll-Outs

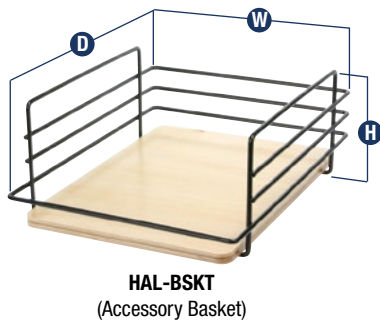
- KV epoxy-coated roller slides
- Sliding base assembly is 1/2"- thick laminated melamine mounted on epoxy-coated slides and is fully assembled
- Heavy-gauge steel wire partitions section off storage areas



**Tray Divider Roll-Out**  
(TDR09-W shown)

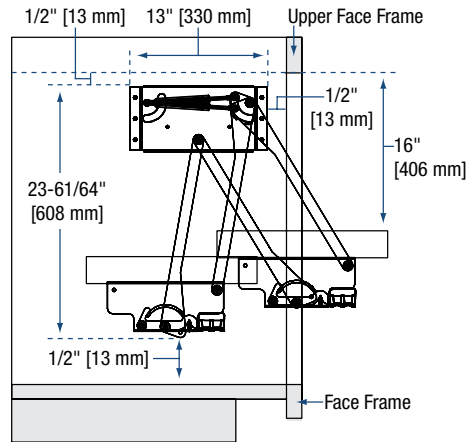
Stock #	Assembled Product Dimensions				Finish	Units per Carton	Weight per Carton
	Sliding Assembly Width <b>S</b>	Width <b>W</b>	Height <b>H</b>	Depth <b>D</b>			
<b>TRAY DIVIDER ROLL-OUTS</b>							
TDR06-W	5-7/16" [138 mm]	6" [152 mm]	19-1/2" [495 mm]	22" [559 mm]	White	1	9.0 lbs. [4.1 kg.]
TDR09-W	8-7/16" [214 mm]	9" [229 mm]	19-1/2" [495 mm]	22" [559 mm]	White	1	11.9 lbs. [5.4 kg.]

\* Total sliding assembly width is equal to total width of Side-Mount Basket application plus 5/8" [16 mm].

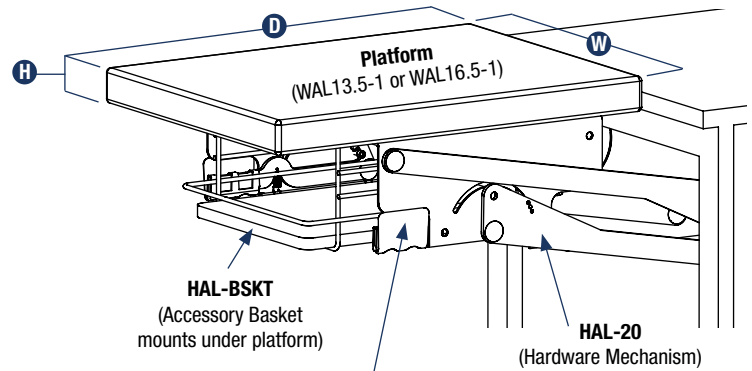


# Appliance Lift

- Assists with raising or lowering kitchen appliances using a gas cylinder and then locks securely into place
- Lift can be positioned at two different levels: flush with counter or 2" below counter
- For storage use only, do not use appliances on the lift



NOTE: Install 1/2" down and 1/2" back from upper Face Frame (as shown)



Pull up on right and left mechanism handles to unlock and lower Appliance Lift

Assembled Product Dimensions							
Stock #	Sliding Assembly Width <b>S</b>	Width <b>W</b>	Height <b>H</b>	Depth <b>D</b>	Finish	Units per Carton	Weight per Carton
<b>APPLIANCE LIFT PARTS</b>							
HAL-20	Hardware Mechanism (left and right arm)	Platform Surface + 2-1/2" [64 mm]	23-61/64" [608 mm]	Maximum of 13" [330 mm] or Platform Depth	Platinum	1	13.7 lbs. [6.2 kg.]
WAL13.5-1	13-1/2" Maple Block Platform	13-1/2" [343 mm]	1-1/2" [38 mm]	18" [457 mm]	Maple	1	9.9 lbs. [4.5 kg.]
WAL16.5-1	16-1/2" Maple Block Platform	16-1/2" [419 mm]	1-1/2" [38 mm]	18" [457 mm]	Maple	1	12.3 lbs. [5.6 kg.]
HAL-BSKT	Accessory Basket	9-7/8" [251 mm]	4-7/8" [124 mm]	12-7/8" [327 mm]	Black/Birch	1	4.2 lbs. [1.9 kg.]





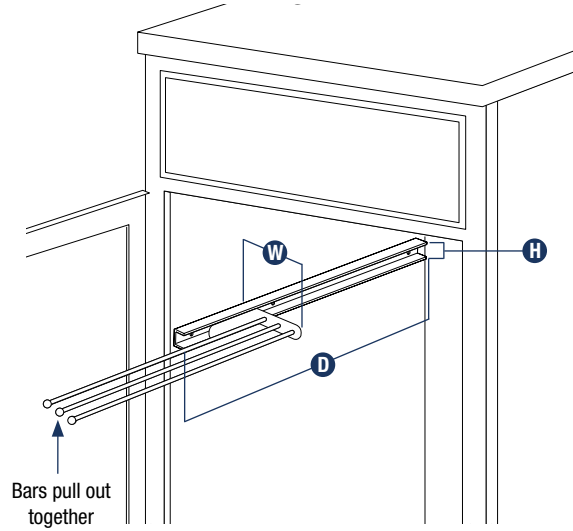
Pull-Out Towel Bar  
(P793 ANO)



Pull-Out Towel Bar  
(P793 ANO)

## Pull-Out Towel Bar

- Pull-Out Towel Bar has three bars that pull out together on a friction-free ball-bearing carrier
- Mounts to right or left side of cabinet
- Corrosion resistant finish



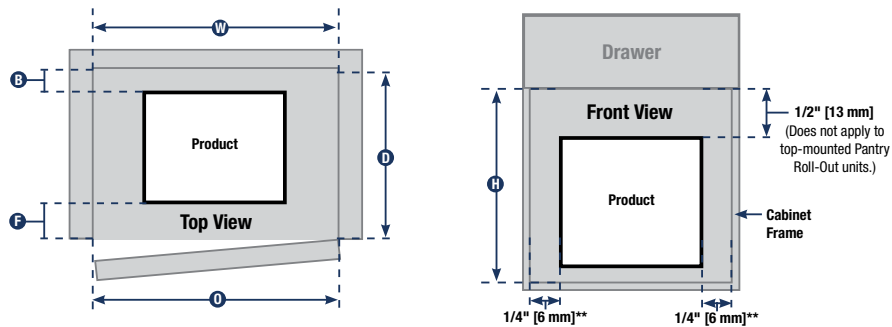
Pull-Out Towel Bar  
(P793 ANO)

Stock #	Assembled Product Dimensions				Finish	Units per Carton	Weight per Carton
	Sliding Assembly Width <b>S</b>	Width <b>W</b>	Height <b>H</b>	Depth <b>D</b>			
<b>PULL OUT TOWEL BAR</b>							
P793 ANO	4-13/16" [122 mm]	4-13/16" [122 mm]	1-5/16" [33 mm]	17-3/4" [451 mm]	Anochrome	10	23.3 lbs. [10.6 kg]

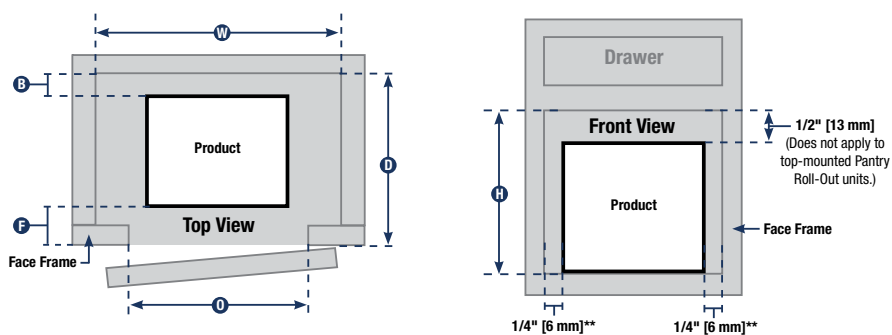
# Cabinet Dimensions

Stock #	Min. Cabinet Opening		Min. Interior Cabinet Dimensions		Min. Cabinet Clearance	
	Width <b>O</b>	Width <b>W</b>	Height* <b>H</b>	Depth <b>D</b>	Front <b>F</b>	Back <b>B</b>
<b>SLIDE-OUT BASE BLIND CORNER UNITS</b>						
BCUS-LR-15-CH						
<b>POT &amp; PAN CADDY</b>						
SPS21-FN	20" [508 mm]	20" [508 mm]	14-3/4" [375 mm]	22-3/4" [578 mm]	1/4" [6 mm]	1/4" [6 mm]
SPS27-FN	26" [660 mm]	26" [660 mm]	14-3/4" [375 mm]	22-3/4" [578 mm]	1/4" [6 mm]	1/4" [6 mm]
<b>WOOD &amp; WIRE TRAY DIVIDER ROLL-OUTS</b>						
TDR0-FNW-6	6" [152 mm]	6" [152 mm]	14-1/2" [368 mm]	22-3/4" [578 mm]	1/4" [6 mm]	1/4" [6 mm]
TDR0-FNW-9	9" [229 mm]	9" [229 mm]	14-1/2" [368 mm]	22-3/4" [578 mm]	1/4" [6 mm]	1/4" [6 mm]
<b>APPLIANCE LIFT (SEE PAGE 59 FOR ADDITIONAL CLEARANCES)</b>						
HAL-20	Platform Width + 1" [25 mm]	Platform Width + 2-1/2" [64 mm]	25" [634 mm]	Minimum of 16-1/2" [419 mm] OR platform depth	1/2" [13 mm]	1/2" [13 mm]
<b>PULL-OUT TOWEL BAR</b>						
P793 ANO	5-5/16" [135 mm]	5-5/16" [135 mm]	1-13/16" [46 mm]	18-1/4" [464 mm]	1/4" [6 mm]	1/4" [6 mm]
<b>TRY DIVIDER ROLL-OUTS</b>						
TDR06-W	6" [152 mm]	6-1/2" [165 mm]	20" [508 mm]	22-1/2" [572 mm]	1/4" [6 mm]	1/4" [6 mm]
TDR09-W	9" [229 mm]	9-1/2" [241 mm]	20" [508 mm]	22-1/2" [572 mm]	1/4" [6 mm]	1/4" [6 mm]

### Example of Frameless / Euro-Style Cabinet Application



### Example of Face Frame Cabinet Application



\* Minimum Cabinet Opening Width AND Minimum Cabinet Interior Width equals total width of completely assembled unit with all baskets applied, plus 1/2" clearance per side (1" total clearance for center-mounted units, 1/2" side clearance for side-mounted units). Dimensions shown are recommended minimum cabinet dimensions and clearances.

\*\* Slide-out Base Blind Corner Units and Base Cabinet Organizers require 1/2" side clearance on one side, not both.



## *Specialty Storage*

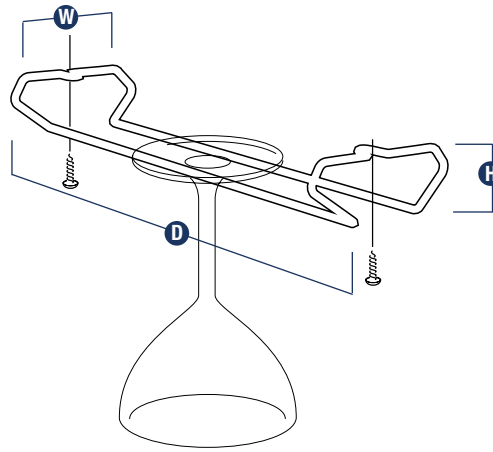
Wine Accessories . . . . .	40
Wire Accessories . . . . .	41
Cabinet Dimensions . . . . .	42



**Stemware Holder**  
(ST11.50-FN shown)

## Wine Accessories

- Economical and stemware displays



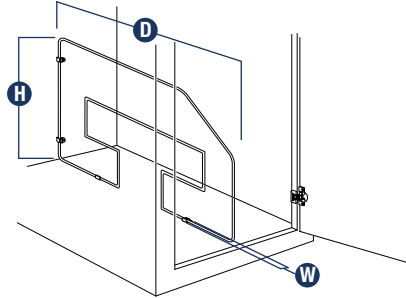
**Stemware Holder**

Stock #	Individual Product Dimensions			Number of Rings	Finish	Units per Carton	Weight per Carton
	Width <b>W</b>	Height <b>H</b>	Depth <b>D</b>				
<b>STEMWARE HOLDERS</b>							
ST11.50-C	4" [102 mm]	2" [51 mm]	11-9/16" [294 mm]	–	Chrome	10	3.5 lbs. [1.6 kg.]
ST11.50-FN	4" [102 mm]	2" [51 mm]	11-9/16" [294 mm]	–	Platinum	10	3.5 lbs. [1.6 kg.]



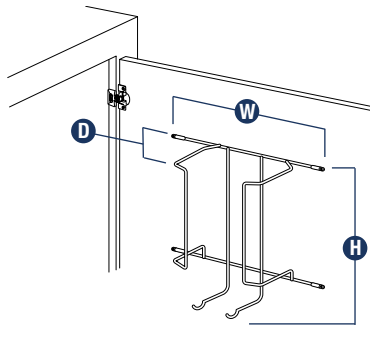
## Tray Divider

- Available in 12" and 18" heights
- Installs easily with four attachment clips



## Iron Holder

- Can be installed on cabinet door above or below ironing board so iron will be readily available
- Conveniently stores iron when not in use



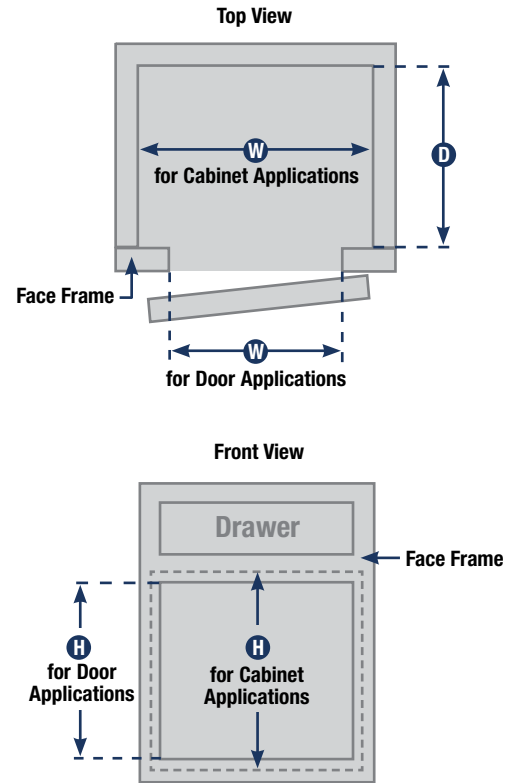
Stock #	Assembled Product Dimensions			Finish [Wire / Bin]	Units per Carton	Weight per Carton
	Width <b>W</b>	Height <b>H</b>	Depth <b>D</b>			
<b>TRAY DIVIDER</b>						
TD12-1-FN	15/16" [24 mm]	12" [205 mm]	19-1/2" [495 mm]	Frosted Nickel	1	2 lbs. [0.9 kg.]
TD12-FN	15/16" [24 mm]	12" [205 mm]	19-1/2" [495 mm]	Frosted Nickel	10	14.1 lbs. [6.4 kg.]
TD18-1-FN	15/16" [24 mm]	18" [457 mm]	19-1/2" [495 mm]	Frosted Nickel	1	2.2 lbs. [1.0 kg.]
TD18-FN	15/16" [24 mm]	18" [457 mm]	19-1/2" [495 mm]	Frosted Nickel	10	17.2 lbs. [7.8 kg.]
TD12-W	15/16" [24 mm]	12" [205 mm]	19-1/2" [495 mm]	White	10	14.1 lbs. [6.4 kg.]
TD18-1-W	15/16" [24 mm]	18" [457 mm]	19-1/2" [495 mm]	White	1	2.2 lbs. [1.0 kg.]
TD18-W	15/16" [24 mm]	18" [457 mm]	19-1/2" [495 mm]	White	10	17.2 lbs. [7.8 kg.]
<b>IRON HOLDER</b>						
IH-FN	8-1/8" [206 mm]	8-5/16" [211 mm]	5-1/8" [130 mm]	Frosted Nickel	1	0.9 lbs. [0.4 kg.]



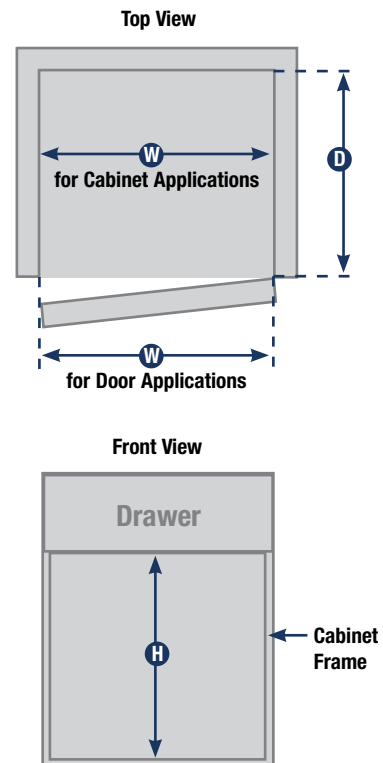
# Cabinet Dimensions

Minimum Interior Cabinet OR Door Opening Dimensions			
Stock #	Width <b>W</b>	Height* <b>H</b>	Depth <b>D</b>
<b>STEMWARE HOLDERS</b>			
ST11.50-FN	4-1/2" [114 mm]	2-1/2" [64 mm]	11-13/16" [300 mm]
<b>TRAY DIVIDERS</b>			
TD12-1-FN	-	12-3/8" [314 mm]	20-1/8" [511 mm]
TD12-FN	-	12-3/8" [314mm]	20-1/8" [511 mm]
TD18-1-FN	-	18-3/8" [467mm]	20-1/8" [511 mm]
TD18-FN	-	18-3/8" [467mm]	20-1/8" [511 mm]
TD12-W	-	12-3/8" [314mm]	20-1/8" [511 mm]
TD18-1-W	-	18-3/8" [467mm]	20-1/8" [511 mm]
TD18-W	-	18-3/8" [467mm]	20-1/8" [511 mm]
<b>IRON HOLDER</b>			
IH-FN	8-5/8" [219 mm]	length of iron + 1-1/2" [38 mm]	height of iron + 1" [25 mm]

Example of Face Frame Cabinet and Door Application



Example of Frameless / Euro-Style Cabinet and Door Application



Dimensions shown are recommended minimum cabinet and door dimensions.



## *Closet Accessories*

Heavy-Duty Round Tubing . . . . .	44
Oval Tubing . . . . .	46
Flanges & End Caps . . . . .	46
Closet Rods . . . . .	47
Closet Planning . . . . .	48

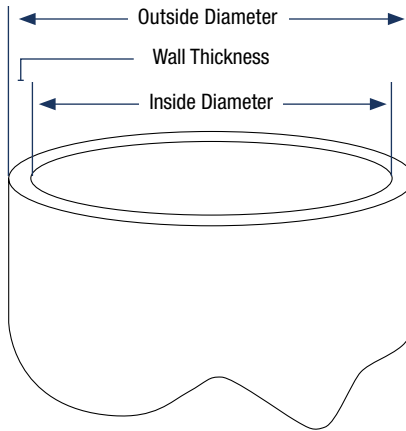
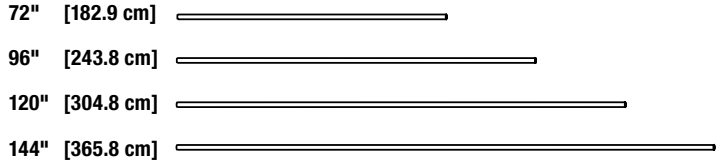
# Heavy-Duty Round Tubing 660 Series



**660 Series**  
(Stainless Steel finish)

- Steel core with finished wrap
- Sleek stainless steel finish
- Commercial grade

**LENGTHS AVAILABLE**



Stock #	Length	Outside Diameter	Inside Diameter	Wall Thickness	Finish	Units per Carton	Weight per Carton
<b>660 SERIES</b>							
660 SS 72	72" [182.9 cm]	1-1/16" [27 mm]	31/32" [24.8 mm]	0.088" [2.2 mm]	Stainless Steel	6	33.3 lbs. [15.1 kg.]
660 SS 96	96" [243.8 cm]	1-1/16" [27 mm]	31/32" [24.8 mm]	0.088" [2.2 mm]	Stainless Steel	6	44 lbs. [20 kg.]
660 SS 120	120" [304.8 cm]	1-1/16" [27 mm]	31/32" [24.8 mm]	0.088" [2.2 mm]	Stainless Steel	6	55.1 lbs. [24.5 kg.]
660 SS 144	144" [365.8 cm]	1-1/16" [27 mm]	31/32" [24.8 mm]	0.088" [2.2 mm]	Stainless Steel	6	63.4 lbs. [28.8 kg.]

# Heavy-Duty Round Tubing 770 & 750 Series

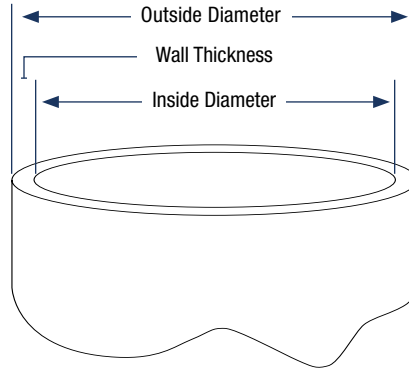
- Steel construction
- Double plated finish
- Commercial grade
- Invisible welded seam



**750 5 Series**



**770 1 Series**



Stock #	Length	Outside Diameter	Inside Diameter	Wall Thickness	Finish	Units per Carton	Weight per Carton
<b>770 1 SERIES</b>							
770 1 72	72" [182.9 cm]	1-1/16" [27 mm]	61/64" [24.2 mm]	0.106" [2.7 mm]	Chrome	6	41.5 lbs. [18.8 kg.]
770 1 96	96" [243.8 cm]	1-1/16" [27 mm]	61/64" [24.2 mm]	0.106" [2.7 mm]	Chrome	6	55.2 lbs. [25 kg.]
770 1 120	120" [304.8 cm]	1-1/16" [27 mm]	61/64" [24.2 mm]	0.106" [2.7 mm]	Chrome	6	69.4 lbs. [31.5 kg.]
770 1 144	144" [365.8 cm]	1-1/16" [27 mm]	61/64" [24.2 mm]	0.106" [2.7 mm]	Chrome	6	81.5 lbs. [37 kg.]
<b>770 5 SERIES</b>							
770 5 72	72" [182.9 cm]	1-5/16" [33 mm]	1-13/64" [30.6 mm]	0.106" [2.7 mm]	Chrome	6	53.4 lbs. [24.4 kg.]
770 5 96	96" [243.8 cm]	1-5/16" [33 mm]	1-13/64" [30.6 mm]	0.106" [2.7 mm]	Chrome	6	70.8 lbs. [32.1 kg.]
770 5 120	120" [304.8 cm]	1-5/16" [33 mm]	1-13/64" [30.6 mm]	0.106" [2.7 mm]	Chrome	6	87.8 lbs. [39.8 kg.]
770 5 144	144" [365.8 cm]	1-5/16" [33 mm]	1-13/64" [30.6 mm]	0.106" [2.7 mm]	Chrome	6	104.9 lbs. [47.6 kg.]
<b>750 1 SERIES</b>							
750 1 72	72" [182.9 cm]	1-1/16" [27 mm]	63/64" [25.1 mm]	0.075" [1.9 mm]	Chrome	6	30.6 lbs. [13.9 kg.]
750 1 96	96" [243.8 cm]	1-1/16" [27 mm]	63/64" [25.1 mm]	0.075" [1.9 mm]	Chrome	6	41.1 lbs. [18.6 kg.]
750 1 120	120" [304.8 cm]	1-1/16" [27 mm]	63/64" [25.1 mm]	0.075" [1.9 mm]	Chrome	6	50.6 lbs. [23 kg.]
750 1 144	144" [365.8 cm]	1-1/16" [27 mm]	63/64" [25.1 mm]	0.075" [1.9 mm]	Chrome	6	60.8 lbs. [27.6 kg.]
<b>750 5 SERIES</b>							
750 5 72	72" [182.9 cm]	1-5/16" [33 mm]	1-15/64" [31.4 mm]	0.075" [1.9 mm]	Chrome	6	38.1 lbs. [17.3 kg.]
750 5 96	96" [243.8 cm]	1-5/16" [33 mm]	1-15/64" [31.4 mm]	0.075" [1.9 mm]	Chrome	6	51.3 lbs. [23.3 kg.]
750 5 120	120" [304.8 cm]	1-5/16" [33 mm]	1-15/64" [31.4 mm]	0.075" [1.9 mm]	Chrome	6	62.9 lbs. [28.5 kg.]
750 5 144	144" [365.8 cm]	1-5/16" [33 mm]	1-15/64" [31.4 mm]	0.075" [1.9 mm]	Chrome	6	77.2 lbs. [35 kg.]

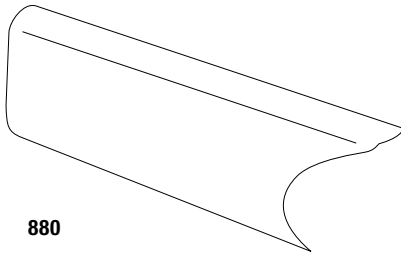
See pages 48-49 for recommended closet planning.

## Heavy-Duty Oval Tubing

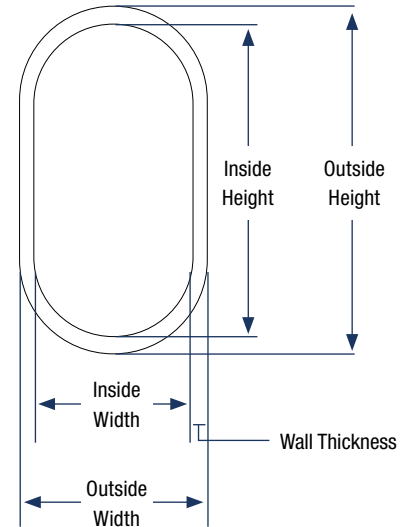
- Steel construction
- Invisible welded seam
- Chrome plated finish



**880 Series**  
(Chrome finish)



**880**



Stock #	Length	Outside		Inside			Finish	Units per Carton	Weight per Carton
		Width	Height	Length	Width	Height			
<b>HEAVY-DUTY OVAL TUBING</b>									
880 CHR 96	96" [243.8 cm]	[30 mm]	[15 mm]	[28.8 mm]	[13.8 mm]	[1.2 mm]	Chrome	10	34 lbs. [15.6 kg.]
880 CHR 144	144" [365.8 cm]	[30 mm]	[15 mm]	[28.8 mm]	[13.8 mm]	[1.2 mm]	Chrome	10	52.9 lbs. [24 kg.]

## Flanges & End Caps



730, 731, 732 ANO



734 CHR



735 CHR



881 CHR



764



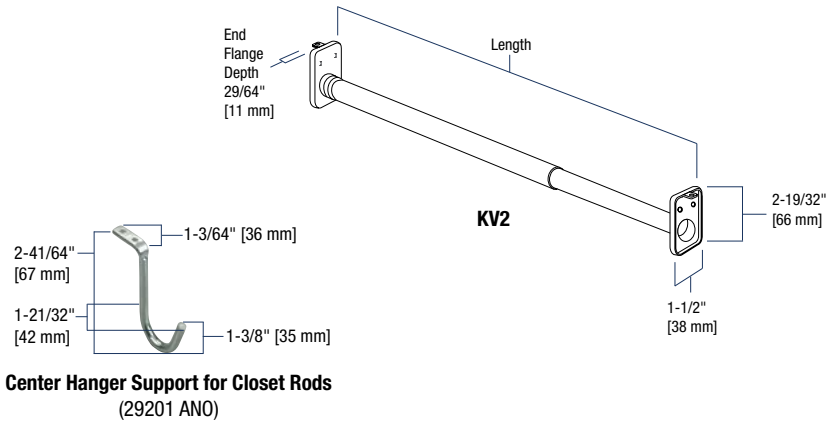
766

Stock #	Description	Holes	Finish	Units per Carton	Weight per Carton
<b>FLANGES</b>					
734 CHR	Fits 1-1/16" OD round tubing (660, 750 1 & 770 1 series)	2 screw holes on 2" vertical centers	Chrome	50 (w/screws)	5.1 lbs. [2.3 kg.]
735 CHR	Fits 1-1/16" OD round tubing (660, 750 1 & 770 1 series)	2 screw holes on 2" horizontal centers	Chrome	50 (w/screws)	5.1 lbs. [2.3 kg.]
764 CHR	Fits 1-5/16" OD round tubing (750 5 & 770 5 series)	3 holes spaced 1-1/8" from center	Chrome	12 (w/screws)	2.3 lbs. [1 kg.]
766 CHR	Fits 1-5/16" OD round tubing (750 5 & 770 5 series)	3 holes spaced 1-1/8" from center	Chrome	12 (w/screws)	2.5 lbs. [1.1 kg.]
881 CHR	For use with 880 oval tubing	1 hole for extra mounting strength & 2 - 5mm pins	Chrome	50	2 lbs. [0.9 kg.]
<b>END CAPS</b>					
730 ANO	Fits KV 660 round tubing (1-1/16" OD)	-	Anochrome	50	0.5 lbs. [0.2 kg.]
731 ANO	Fits 1-1/16" OD round tubing (660, 750 1 & 770 1 series)	-	Anochrome	50	0.4 lbs. [0.2 kg.]
732 ANO	Fits 1-5/16" OD round tubing (750 5 & 770 5 series)	-	Anochrome	50	0.7 lbs. [0.3 kg.]



# Closet Rods

- Steel construction
- End flanges fixed to rods
- Two piece construction allows for adjustability to varying closet widths



Stock #	Length	Rod Diameter	Finish	Units per Carton	Weight per Carton
<b>ADJUSTABLE CLOSET RODS</b>					
KV2BP ZC 18	18" – 30" [45.7 – 76.2 cm]	1" [25 cm]	Zinc	20	15.1 lbs. [6.8 kg.]
KV2BP ZC 30	30" – 48" [76.2 – 121.9 cm]	1" [25 cm]	Zinc	20	27.5 lbs. [12.5 kg.]
KV2 ZC 18	18" – 30" [45.7 – 76.2 cm]	1" [25 cm]	Zinc	10	8.5 lbs. [3.9 kg.]
KV2 ZC 30	30" – 48" [76.2 – 121.9 cm]	1" [25 cm]	Zinc	10	13.3 lbs. [6 kg.]
KV2 ZC 48	48" – 72" [121.9 – 182.9 cm]	1" [25 cm]	Zinc	10	21 lbs. [9.5 kg.]
KV2 ZC 60	60" – 96" [152.4 – 243.8 cm]	1" [25 cm]	Zinc	10	24.8 lbs. [11.2 kg.]
KV2 ZC 72	72" – 120" [182.9 – 304.8 cm]	1" [25 cm]	Zinc	5	15.3 lbs. [6.9 kg.]
KV2 ZC 96	96" – 144" [243.8 – 365.8 cm]	1" [25 cm]	Zinc	5	19.9 lbs. [9 kg.]
KV2 WH 18	18" – 30" [45.7 – 76.2 cm]	1" [25 cm]	White	10	8.8 lbs. [4 kg.]
KV2 WH 30	30" – 48" [76.2 – 121.9 cm]	1" [25 cm]	White	10	13.6 lbs. [6.2 kg.]
KV2 WH 48	48" – 72" [121.9 – 182.9 cm]	1" [25 cm]	White	10	18.9 lbs. [8.6 kg.]
KV2 WH 60	60" – 96" [152.4 – 243.8 cm]	1" [25 cm]	White	10	25.3 lbs. [11.5 kg.]
KV2 WH 72	72" – 120" [182.9 – 304.8 cm]	1" [25 cm]	White	5	15.3 lbs. [6.9 kg.]
<b>HEAVY-DUTY ADJUSTABLE CLOSET RODS</b>					
RP0020-30/48BN	30" – 48" [76.2 – 121.9 cm]	1-1/4" [32 cm]	Brushed Nickel	6	16.5 lbs. [7.5 kg.]
RP0020-48/72BN	48" – 72" [121.9 – 182.9 cm]	1-1/4" [32 cm]	Brushed Nickel	6	23.2 lbs. [10.6 kg.]
RP0020-72/120BN	72" – 120" [182.9 – 304.8 cm]	1-1/4" [32 cm]	Brushed Nickel	6	38.3 lbs. [17.4 kg.]
RP0020-30/48BRZ	30" – 48" [76.2 – 121.9 cm]	1-1/4" [32 cm]	Bronze	6	16.5 lbs. [7.5 kg.]
RP0020-48/72BRZ	48" – 72" [121.9 – 182.9 cm]	1-1/4" [32 cm]	Bronze	6	23.2 lbs. [10.6 kg.]
RP0020-72/120BRZ	72" – 120" [182.9 – 304.8 cm]	1-1/4" [32 cm]	Bronze	6	38.3 lbs. [17.4 kg.]
RP0020-30/48CH	30" – 48" [76.2 – 121.9 cm]	1-1/4" [32 cm]	Chrome	6	16.5 lbs. [7.5 kg.]
RP0020-48/72CH	48" – 72" [121.9 – 182.9 cm]	1-1/4" [32 cm]	Chrome	6	23.2 lbs. [10.6 kg.]
RP0020-72/120CH	72" – 120" [182.9 – 304.8 cm]	1-1/4" [32 cm]	Chrome	6	38.3 lbs. [17.4 kg.]
RP0020-30/48WT	30" – 48" [76.2 – 121.9 cm]	1-1/4" [32 cm]	Warm White	6	16.5 lbs. [7.5 kg.]
RP0020-48/72WT	48" – 72" [121.9 – 182.9 cm]	1-1/4" [32 cm]	Warm White	6	23.2 lbs. [10.6 kg.]
RP0020-72/120WT	72" – 120" [182.9 – 304.8 cm]	1-1/4" [32 cm]	Warm White	6	38.3 lbs. [17.4 kg.]
<b>CENTER HANGER SUPPORT</b>					
29201 ANO	Center Hanger Support for fully extended 72" [182.9 cm] and 96" [243.8 cm] rods		Anochrome	12	1.14 lbs. [0.5 kg.]

See pages 48-49 for recommended closet planning.

# Closet Planning

All closets are essentially custom projects, because individual storage needs differ. However, there are some elements that all closets have in common.

There are two basic types of closets: walk-in and reach-in. Walk-in closets typically are found in the master bedroom suite. They vary in size and shape depending on the home layout. Typical shapes of walk-ins include square, rectangle, square notch and L-shaped. Reach-in closets are typically found in children/guest bedrooms, or along hallways, and are rectangle-shaped.

## Walk-In Closet

There are no standard dimensions for the walk-in closet, but there are general guidelines that are essential in planning a closet in this format. You will need a minimum of 2 feet of space for the closet door. Pocket doors are recommended to give the most unrestricted access to clothing. When planning overall dimensions, the minimal path through the closet should be approximately 30 inches. The overall width should be a minimum 6 feet, 6 inches to allow for hanging space on both walls.

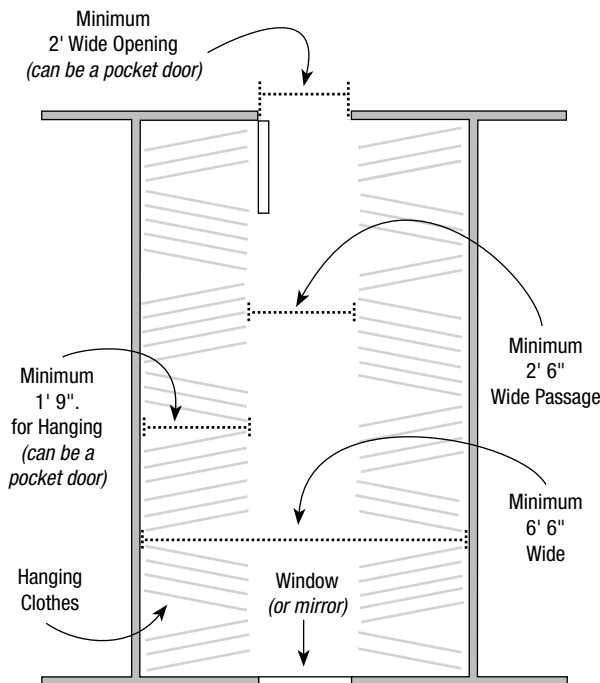
It is helpful to think of the walk-in as a combination of reach-in closets. Measure each wall separately. Plan storage one wall at a time using corner shelving or hang rods to make the most of the space. If the closet is shared, plan one wall for each person with the back wall shared or used by the person who needs more space.

## Reach-In Closet

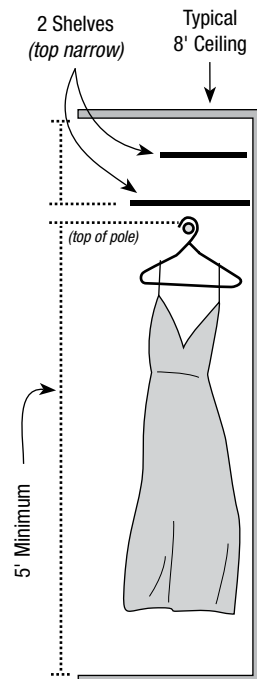
Reach-in closets are typically long rectangles measuring 48 inches long and larger. A typical reach-in closet is approximately 6 feet long, 8 feet high, 24 inches deep with an 80 inch high door opening. Reach-in closets are very practical for a single occupant. They allow for easy viewing and access of all contents. Accessories and baskets work well in them.

For a reach-in closet with bi-fold doors, it's best to place a basket section in the center of the closet for maximum accessibility. For a closet with sliding doors, put the baskets on either end of the closet.

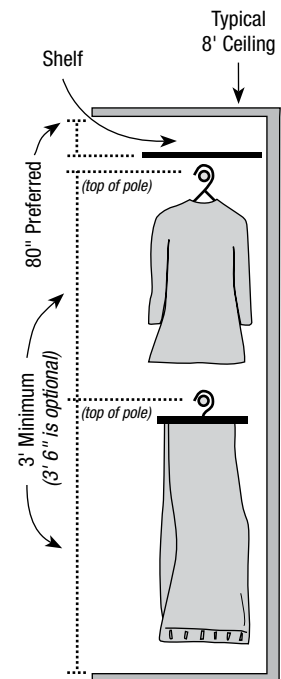
## Walk-In Closet Dimensions



## Single Pole



## Double Pole



# Closet Planning

## Space Planning

Take inventory of what you will store in the closet area. The amount and types of clothing are essential information for proper planning. Below are general dimensions required by different types of clothing. Keep in mind that storage needs can change and flexibility is essential in designing a closet.

### Women's

<i>Dress</i> .....	68" long
<i>Robe</i> .....	52" long
<i>Jacket</i> .....	36" long
<i>Blouse (on hanger)</i> .....	34" long
<i>Blouse (folded)</i> .....	10" wide, 13" long
<i>Skirt</i> .....	36" long
<i>Shoes</i> .....	6" wide, 9-1/2" long
<i>Sweater (folded)</i> .....	10" wide, 14" long

### Men's

<i>Suit Coats</i> .....	12" wide, 38" long
<i>Shirts (six on hangers)</i> .....	12" wide, 38" long
<i>Shirt (folded)</i> .....	8" wide, 14" long
<i>Pants (straight on hanger)</i> .....	44" long
<i>Pants (folded on hanger)</i> .....	27" long
<i>Dress Hat</i> .....	6" x 11"
<i>Shoes</i> .....	9" wide, 12" long
<i>Boots</i> .....	9" wide, 12" long

## Hanging Items

Short hanging items, such as skirts, blouses and folded pants, require rods attached 30 to 40 inches from the floor. A typical closet can include two levels of hanging rods. As a rule, place the top rod 80 to 82 inches up from the floor, the bottom rod about 40 inches up.

For a single rod application, plan 60 inches from the floor for placement. You will need at least 1 foot, 9 inches (24 inches is standard) away from the back wall for hanging. When spanning an opening of more than 48 inches, consider adding a center support to the closet rod for added stability. The same general rules apply to kids' closets. For young children who don't have a lot of hanging items, plan on one rod at 36 to 40 inches off the floor. This allows youngsters to reach their clothes.

## Helpful Hints

- Maximize space. Few people own many items that require a 64 inch high rod. Dedicate a smaller space between 1 foot and 2 feet for these items. All other clothing can be hung in a double-rod application, thereby allowing more in a smaller space.
- Design for visibility. Plan the closet so socks, ties and underwear can be viewed when dressing.
- Beware of cedar. Cedar closets do keep moths away, but the cedar scent can permeate adjacent spaces. Plan for a cedar closet in the basement or with an extra door.
- Think about lighting. You need to be able to see clothes to make decisions when getting dressed. Overhead natural light is preferred but if it is not available, good fluorescent lighting is often the only code-compliant solution.
- Use the vertical dimension. Take advantage of all available space, up to the ceiling and down to the floor. Bins on high shelves, roll-out boxes that sit on the floor, even a third pull-down closet rod if your ceiling is over 9 feet, are ideal for storing items that aren't frequently used.

# Index

## Index

- 660 SS 72 43  
 660 SS 96 43  
 660 SS 120 43  
 660 SS 144 43  
 730 ANO 45  
 731 ANO 45  
 732 ANO 45  
 734 CHR 45  
 735 CHR 45  
 750 1 72 44  
 750 1 96 44  
 750 1 120 44  
 750 1 144 44  
 750 5 72 44  
 750 5 96 44  
 750 5 120 44  
 750 5 144 44  
 764 CHR 45  
 766 CHR 45  
 770 1 72 44  
 770 1 96 44  
 770 1 120 44  
 770 1 144 44  
 770 5 72 44  
 770 5 96 44  
 770 5 120 44  
 770 5 144 44  
 880 CHR 96 45  
 880 CHR 144 45  
 881 CHR 45  
 29201 ANO 46  
 BCUS-LR-15-CH 32, 37  
 DWB975-W 11, 13  
 ET-H-N 29, 30  
 HAL-20 35, 37  
 HAL-BSKT 35  
 HN-F-TEL-PT 19  
 HN-K-TEL-PT 19  
 HP-XSF-EC-20-W 28, 30  
 HUB-PIN 19  
 IH-FN 40, 41  
 KV2BP ZC 18 46  
 KV2BP ZC 30 46  
 KV2 WH 18 46  
 KV2 WH 30 46  
 KV2 WH 48 46  
 KV2 WH 60 46  
 KV2 WH 72 46  
 KV2 ZC 18 46  
 KV2 ZC 30 46  
 KV2 ZC 48 46  
 KV2 ZC 60 46  
 KV2 ZC 72 46  
 KV2 ZC 96 46  
 P793 ANO 36, 37  
 PDMKTPT 10  
 PDMTM12-1-35WH 8, 12, 13  
 PDMTM15-2-35WH 8, 12, 14  
 PDMTM18-2-35WH 8, 12, 14  
 PDMTM21-2-35WH 8, 12, 14  
 PDMTM115-1-35WH 8, 12, 13  
 PDMTM145-1-50WH 8, 12, 13  
 PDMTM175-2-35WH 8, 12, 14  
 PFN18S3T-W 16  
 PFN18ST-W 16  
 PFN20S3T-W 16  
 PFN20ST-W 16  
 PFN24ST-W 16  
 PFN28SBT-W 16  
 PFN28ST-W 16  
 PFN32ST-W 16  
 PHM28GG-W 18, 21  
 PHM28PG-W 18, 21  
 PHM28PP-W 18, 21  
 PHM34GG-W 18, 21  
 PHM34PG-W 18, 21  
 PHM40GG-W 18, 21  
 PHM40PG-W 18, 21  
 PKN18ST-W 17, 20  
 PKN24SBT-W 17  
 PKN24ST-W 17, 20  
 PKN28SBT-W 17  
 PKN28ST-W 17, 20  
 PKN32ST-W 17, 20  
 PPN24S-W 17, 21  
 PPN28S-W 17, 21  
 PSF8.62-W 26, 30  
 PSF11-PF-SH-2-W 27, 30  
 PSF11-PF-W 26, 30  
 PSF11RS-W 26, 30  
 PSF11SH-2-W 27, 30  
 PSF11-W 26, 30  
 PSF11W-W 28, 30  
 PSF14-PF-SH-2-W 27, 30  
 PSF14-PF-W 26, 30  
 PSF14RS-W 26, 30  
 PSF14SH-2-W 27, 30  
 PSF14-W 26, 30  
 PSF14W-W 28, 30  
 PSF2425-W 26, 30  
 PSF3025-W 26, 30  
 QT20LB-PT 12  
 QT20LB-WH 12  
 QT20PB-PT 12  
 QT20PB-WH 12  
 QT27PB-PT 12  
 QT27PB-W 12  
 QT32PB-W 12  
 QT35LB-PT 12  
 QT35LB-W 5  
 QT35LB-WH 12  
 QT35PB-PT 12  
 QT35PB-WH 12  
 QT50PB-P 12  
 QT50PB-W 12  
 RP0020-30/48BN 46  
 RP0020-30/48BRZ 46  
 RP0020-30/48CH 46  
 RP0020-30/48WT 46  
 RP0020-48/72BN 46  
 RP0020-48/72BRZ 46  
 RP0020-48/72CH 46  
 RP0020-48/72WT 46  
 RP0020-72/120BN 46  
 RP0020-72/120CH 46  
 RP0020-72/120WT 46  
 RP0020-72120BRZ 46  
 RRC28K-W 11, 12  
 SBM9-1-20WH 9, 12, 13  
 SBM10-1-35WH 9, 12, 13  
 SBM12-1-50WH 9, 12, 13  
 SBM12-2-27WH 9, 12, 14  
 SBM15-1-35WH 9, 12, 13  
 SBM15-2-20WH 9, 12, 14  
 SBM15-2-35WH 9, 12, 14  
 SCB9-1-20PT 7, 12, 13  
 SCB9-1-20WH 7, 12, 13  
 SCB10-1-35PT 7, 12, 13  
 SCB10-1-35WH 7, 12, 13  
 SCB12-1-50PT 7, 12, 13  
 SCB12-1-50WH 7, 12, 13  
 SCB12-2-27PT 7, 12, 14  
 SCB12-2-27WH 7, 12, 14  
 SCB15-1-20PT 7, 12, 13  
 SCB15-1-20WH 7, 12, 13  
 SCB15-2-20PT 7, 12, 14  
 SCB15-2-20WH 7, 12, 14  
 SCB15-2-35PT 7, 12, 14  
 SCB15-2-35WH 7, 12, 14  
 SF10 25, 30  
 SF10W 25, 30  
 SF11 25, 30  
 SF11W 25, 30  
 SF13 25, 30  
 SF13W 25, 30  
 SF14 25, 30  
 SF14W 25, 30  
 SF16 25, 30  
 SF16W 25, 30  
 SF19 25, 30  
 SF19W 25, 30  
 SF22 25, 30  
 SF22W 25, 30  
 SF25 25, 30  
 SF25W 25, 30  
 SF28 25, 30  
 SF28W 25, 30  
 SF31 25, 30  
 SF31W 25, 30  
 SH-1-S/P 29, 30  
 SH-10 27, 29, 30  
 SH-40 29, 30  
 SPS21-FN 33, 37  
 SPS27-FN 33, 37  
 ST11.50-B 39  
 ST11.50-FN 39, 41  
 TD12-1-FN 40, 41  
 TD12-FN 40, 41  
 TD12-W 40, 41  
 TD18-1-FN 40, 41  
 TD18-1-W 40, 41  
 TD18-FN 40, 41  
 TD18-W 40, 41  
 TDR06-W 34, 37  
 TDR09-W 34, 37  
 TDR0-FNW-6 33, 37  
 TDR0-FNW-9 33, 37  
 TSC12-1-35PT 6, 12, 13  
 TSC12-1-35WH 6, 12, 13  
 TSC15-1-35PT 6, 12, 13  
 TSC15-1-35WH 6, 12, 13  
 TSC15-1-50PT 6, 12, 13  
 TSC15-1-50WH 6, 12, 13  
 TSC15-2-35PT 6, 12, 14  
 TSC15-2-35WH 6, 12, 14  
 TSC18-2-35PT 6, 12, 14  
 TSC18-2-35WH 6, 12, 14  
 USC12-1-35PT 5, 12, 13  
 USC12-1-35WH 5, 12, 13  
 USC12-1-50PT 5, 12, 13  
 USC12-1-50WH 5, 12, 13  
 USC12-2-27PT 5, 12, 14  
 USC12-2-27WH 5, 12, 14  
 USC15-2-35PT 5, 12, 14  
 USC15-2-35WH 5, 12, 14  
 USC18-2-50PT 5, 12, 14  
 USC18-2-50WH 5, 12, 14  
 WUSC12-1-35PT 4, 13  
 WUSC12-1-35WH 4, 13  
 WUSC12-1-50PT 4, 13  
 WUSC12-1-50WH 4, 13  
 WUSC12-2-27PT 4, 14  
 WUSC12-2-27WH 4, 14  
 WUSC15-2-35PT 4, 14  
 WUSC15-2-35WH 4, 14  
 WUSC18-2-50PT 4, 14  
 WUSC18-2-50WH 4, 14  
 XSF34-10-W 28, 30  
 XSF72-10-W 28, 30

# *Knape and Vogt Limited Warranty*

## Limited Lifetime Warranty for Commercial Business Products

## 15 Year Limited Warranty for Ergonomics Products

This warranty is given to the initial purchaser of new commercial and ergonomic products purchased from Knape & Vogt Manufacturing Company and its subsidiaries. The warranty covers defects in materials and workmanship. The warranty does not apply to defects resulting from misuse, damage or abuse, normal wear and tear, accident, modification, improper installation or maintenance, third party materials or damage during shipping. The warranty is not transferable and does not cover any subsequent purchasers of the products.

Definitions of the specific warranty time periods by product can be obtained from Customer Service at 1.800.253.1561. The warranty time period begins on the date of purchase for all products. Applicable warranty time periods are based on one 8-hour shift per day usage, and warranty time periods are adjusted and shortened proportionally for any multiple shift or excess usage.

During the warranty period, Knape & Vogt, will, at its option, repair or replace any defective product with a comparable product or component. This limited warranty is for repair or replacement of defective products only and does not cover any other costs such as removal, installation, or other related expenses.

For warranty service, please contact Knape & Vogt Manufacturing Company, 2700 Oak Industrial Drive, Grand Rapids, MI 49505, Attention: Customer Service. Information regarding the claimed defect and date of purchase of the product must be provided. Any defective product must be returned postage or freight prepaid to Knape & Vogt.

THIS LIMITED WARRANTY CONSTITUTES THE ONLY WARRANTY FOR THE PRODUCTS AND ALL OTHER WARRANTIES OR REPRESENTATIONS, EXPRESS OR IMPLIED, BY OPERATION OF LAW OR OTHERWISE, INCLUDING BUT NOT LIMITED TO ANY IMPLIED WARRANTY OF MERCHANTABILITY OR FITNESS FOR A PARTICULAR PURPOSE, ARE EXPRESSLY DISCLAIMED. (Some states do not allow limitations on how long an implied warranty lasts.)

THIS LIMITED WARRANTY CONSTITUTES THE SOLE REMEDY AVAILABLE WITH REGARD TO ANY DEFECTIVE PRODUCTS. KNAPE & VOGT SHALL NOT BE LIABLE FOR ANY INCIDENTAL, INDIRECT, CONSEQUENTIAL OR SPECIAL DAMAGES, INCLUDING WITHOUT LIMITATION, LOSS OF TIME, INCONVENIENCE, OR LOST REVENUES OR PROFITS. (Some states do not allow the exclusion or limitation of incidental or consequential damages.)

Copyright ©2021 Knape & Vogt Manufacturing Company, all rights reserved.  
Standard KV Commercial Warranty



# Return Policy

## Return Policy for special order or nonstock items:

We're sorry, we cannot accept returns on nonstock products or special order products unless there is a Knapé & Vogt error — which we will be happy to correct. To return product(s), please follow these procedures:

Please contact Knapé & Vogt Customer Service at 1.800.253.1561. A Customer Service Representative will assist you with getting a Return Goods Authorization (RMA) number. The original P.O. is required to receive a RMA number. Please return product within 30 days of issuance of the RMA number.

## Restocking Fees:

- All resalable product returned in original resalable packaging will be assessed a 25% fee for restocking and handling.
- Minimum fee is \$25.
- All resalable products not returned in resalable original packaging will be assessed a 25% fee for repackaging in addition to the 25% restocking and handling fee.
- Above referenced fees will be waived on returns resulting from a Knapé & Vogt error.

## Shipping:

You are responsible for all return shipping charges to return the product unless we made an error in shipping your order, i.e., the product we shipped is not the one you ordered, or is defective.

### In the US, please ship to: Knapé & Vogt

Return Goods Department, 3800 Eastern Ave SE, Wyoming, MI 49509

### In Canada, please ship to:

Knapé and Vogt/ Vanguard, Attn: Return Goods Department, 265 Export Blvd, Mississauga, ON L5S 1Y4

- Ensure the product(s) are properly packaged to prevent shipping damage.
- Include RMA number with return.
- Ensure all products returned match quantities and products listed on the assigned RMA.

## Credit:

- A credit memo will be issued upon inspection and approval of the returned product.
- Upon receipt and inspection Knapé & Vogt will determine credit amount and notify you of any discrepancies.
- DO NOT make any financial adjustments to your account prior to Knapé and Vogt issuing a credit memo for returned goods.
- Please allow a minimum of 15 days for us to receive and process your return.
- We will credit or refund the value of the product total and any taxes you were charged less applicable fees. (excluding delivery charges).
- Refunds will be given in the same form of payment. Adjustments to credit cards should appear within two billing cycles.

## Replacement Orders:

- Any replacement orders will be charged to your account.
- A credit memo will be issued for returned products that have been approved.

## RMA Status Information:

- Visit [www.customercareconnection.com](http://www.customercareconnection.com).
- Enter your account information.
- If you do not already have your account set up for this free service, please register at [www.customercareconnection.com](http://www.customercareconnection.com).
- Your satisfaction is our priority. We are happy to accept returns or exchanges for any resalable or defective products within 60 days of the shipping date.





**KNAPE & VOGT.**

2700 Oak Industrial Dr. NE  
Grand Rapids, MI 49505-6026 USA  
Tel: 1.800.253.1561 | 616.459.3311  
Fax: 877.636.3290  
[www.kv.com](http://www.kv.com)

*This and other KV literature is available for download at [www.kv.com](http://www.kv.com) > Resource Library*

*Knappe & Vogt reserves the right to change product specifications at any time without notice and without incurring responsibility for existing units.*

©2021 Knappe & Vogt. KV and the KV logo are trademarks of Knappe & Vogt.

RL2018/0621