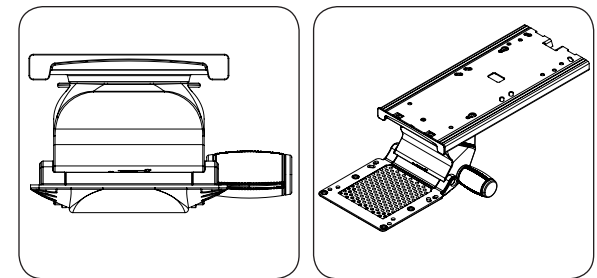
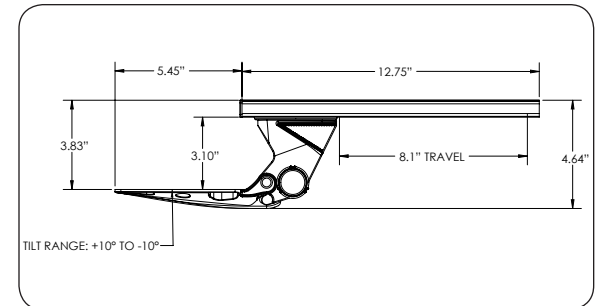


Aria™ Fixed Height Keyboard Arm

- Market Need – Enhancing height adjustable tables to meet HFES or ANSI-BIFMA keyboard height requirements for 5th percentile seated female, and adding features such as keyboard tilt, swivel and stow away capabilities
- Design Challenges – Limited range height adjustable tables and their inability to tilt for ergonomically correct typing angles
- Solution – A fixed height keyboard arm that positions the tray at 4" below the work surface, adds -10° to +10° keyboard tilt, allows the tray to swivel and is able to store under the desk to free up valuable desk space.

Design includes:

- 12.75" glide storage track
- Low profile head design to meet HFES 100-2007 knee clearance standards even at 22" keyboarding height
- Dial Tilt tray head with soft touch knob
- Smooth warm feel and superior stability with elegant aesthetics
- Manufactured from high strength engineered resins to meet and exceed ANSI/BIFMA testing requirements
- Assembled in the USA, it is TAA compliant for GSA bids



- Tilt range -10° to +10° with gauge
- 360° of swivel
- 8.1" of arm storage
- Fixed tray head dimension of 3.83" below track
- 5th percentile seated female compliant for height range and knee clearance