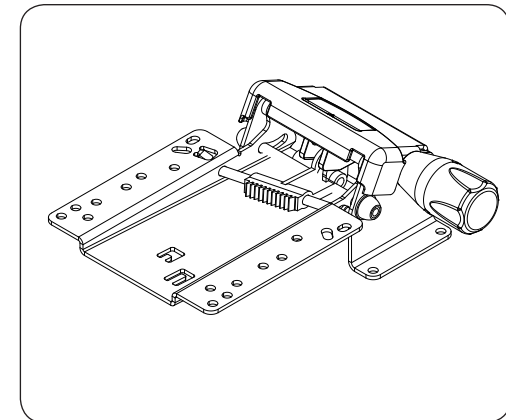


Projector/Screen Mount

- Market Need – Adjustable support device for mounting a projector or flat screen monitor to a podium or desk
- Design Challenges – Angle positioning adjustment, simple attachment method, structural integrity and smooth operation
- Solution – Direct mount support device with infinite smooth tilt adjustment, operated by dial tilt rotary knob.
Design includes:
 - Mounting base with holes for direct attachment to podium or desk surface
 - Tilting tray head with multiple hole positions for standard or custom trays
 - Soft touch dial tilt knob
 - Tilt gauge for repeatable placement of tray
 - Black powder paint finish



- Infinite tilt adjustment with total range adjustment of 30°
- Mounting base size 2.63" x 5.38"
- Mounting hole centers 2.35" x 4.89"
- Four 1/4" diameter mounting holes
- Multiple mounting holes in tilting tray head
- Optional VESA adaptor with orbital tilt and 360° rotation for screen mount