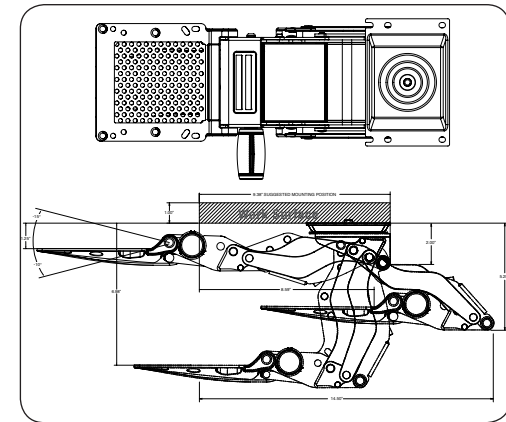


Tenor™ Trackless Arm

- Market Need – Fully storable keyboard arm for limited mounting space applications, such as benching systems and height adjustable tables
- Design Challenges – Limited mounting space, structural stability, range of adjustment for tilt and height, self-locking capability, smooth operating function
- Solution – Patented arm that does not need a conventional sliding track, full storage via and infinite height adjustable locking mechanism. Incorporated features include:
 - Full storage with only 9.38" of depth
 - Direct mount attachment method
 - Patented Lift-N-Lock™ braking mechanism for infinite adjustment
 - Ergonomic dial tilt tray adjustment
 - Separate height and tilt gauges for optimal user adjustment repeatability
 - Black or white finish options available



- Requires only 9.38" mounting space
- Direct mount with 360° of swivel
- Infinite height adjustment range of 5.73"
- Tilt range +10° to -15°
- 5TH Percentile seated female compliant for height range and knee clearance