



Ergonomics in the Office:



*Improve the appeal of your designs
while optimizing safety of the workforce*

Knape & Vogt brings a century of supporting the world's premiere OEMs to the art and science of ergonomics. To quickly move your office furniture into a leadership position, why not partner with a team that brings you an extensive line of products and a proven ability to collaborate on new designs and custom solutions—including products with certified sustainability provisions.

The Knape & Vogt team is all about delivering more. More choices. More customization. More flexibility. More commitment to shared success. That's an approach that fits every opportunity.



Partner with a proven leader for ergonomic excellence

The ability to properly position a keyboard or monitor is essential for designers of today's office environments, especially as smaller workspaces call for clutter-free work areas. For OEMs and value-added resellers who want products that dynamically adjust height, position and focal distance, well-engineered ergonomic hardware and components are key.

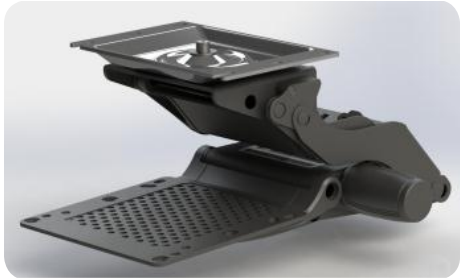
Our keyboard systems, sit-stand tables and fully adjustable monitor arms meet or exceed ANSI/HFES and BIFMA guidelines. Add to those our other ergonomic offerings, including CPU holders, footrests, document holders and more, and we are able to offer OEMs and VARs a host of off-the-shelf, “white-label” and custom-created options.

If you're an engineer, designer or procurement expert in the ergonomic furniture space, you need to find suppliers who can match your pace, meet your cost demands and sustainability goals, and help you move ahead with confidence.

Knapé & Vogt has been a trusted partner to the top players in the industry, delivering products, engineering expertise, practical manufacturing know-how and a “can-do” attitude.



KNAPÉ & VOGT®



Tenor Keyboard Arm 8482D00

Innovative trackless keyboard arm for limited workspace applications

KV Waterloo's designers and engineers saw the opportunity to solve the problem of providing a keyboard arm mechanism that would fully store on surfaces that traditional track mounted keyboard arms would not fit.

The resulting design provides the ability to mount a trackless keyboard arm to the underside of a height adjustable table and benching system, with support structures or cable troughs, where previous products would not work.

The ability to provide a market-leading product to our partners puts them at the forefront of cutting edge technology, allowing them to provide their customers with superior ergonomic design solutions.

- Industry leading patent-pending design



Partnering to supply customized products for today's office

At Knap & Vogt, we tailor our efforts to work with our partners to provide unique product designs that offer a distinctive look and feel. You can purchase a standard off-the-shelf product, or we will work with you to style our products to meet your needs.



Legato Keyboard Arm 8480D

Products designed to provide the ultimate in usability and comfort

KV Waterloo's designers and engineers studied the needs and worked with industry leading ergonomic professionals to determine the ergonomic requirements for market leading products.

The result was the Legato Keyboard Arm, which provides unmatched height range and knee clearance, as well as easy-to-read tilt and height gauges that allow the user to place the keyboard tray in the optimal position to meet their specific ergonomic needs.

The Legato offers unique features, giving the product a distinct look and feel. We work with you to provide products that meet your exacting requirements.

- HFES & ANSI/BIFMA G1 compliance for height range and knee space clearance
- Patented height gauges and tilt gauge allow user presets
- Customizable features to accommodate your look and feel



KNAPE & VOGT®



Presto Monitor Trim Lift 9810D

Retractable Monitor Support

The Presto Monitor Trim-Lift is a manually operated device designed to support TV monitors and computer screens in free standing desks, workstations and cabinetry. When the monitor is not in use, it easily “pushes” down into the desk to maximize desktop space.

The design came about after a collaboration between KV Waterloo’s engineering team and a major reseller of ergonomic equipment into the education market. The result was a flexible solution that would work in tight spaces, accommodate a variety of table sizes, and—critically—meet aggressive pricing goals driven by a competitive product. Our VAVE approach helped achieve all of the product’s aims, creating a valuable “win-win” situation for all parties—including some very satisfied end users.

- Use of an existing tooled component helped speed design and development
- Low-profile envelope opened opportunities in smaller spaces
- Value-engineering perspective helped customer meet competitive price goals



*Altissimo Sit-Stand Work Station
6000 Series*

Sit-Stand Work Station (Single and dual-screen)

The Knappe & Vogt development team engaged in the design of a superior ergonomic and stable retrofit sit-to-stand solution, with the option to offer a more customized product offering while finding an alternative to competitive products that did not meet the market need. The Altissimo Sit-Stand Work Station provides independent adjustment for the screen and keyboard support for the 5th percentile seated female to 95th percentile standing male. It is an ideal retrofit solution, converting a conventional fixed-height table into a true sit-to-stand work station at an economical price point.

- Engineered a solution to meet the HFES and ANSI/BIFMA G1 standards and guidelines, providing superior stability and usability
- Used existing heavy duty healthcare product technology for faster development, economies and proven reliability
- Created customizable options to allow for customer's signature tray sizes and shapes
- Supplied a dual-screen option to extend the product line and appeal



KNAPPE & VOGT



Early stages

- Identify Trends
- Define Problem/opportunity
- Ideation
- Brainstorm project specs
- Explore existing solutions
- Share application expertise
- Refine concepts & designs

Development/Testing

- Benchmarking
- In-house prototyping
- In-house testing
e.g. Key DVPR criteria
- CAD integration
- Sample production/support

Tooling/Manufacturing

- U.S. & International
- Pre-tool sample support
- Project management
- Schedule-driven

Deliver and Support

- Global QA & support
- On-time / On-budget
- Responsive services
- Proven logistics and inventory support

We can help advance your vision every step of the way

Working together with office furniture manufacturers and product development experts, Knap & Vogt's motion engineers, testers, fabricators and logistics personnel help ensure the success of your design, taking your idea from concept to shipment of finished components anywhere in the world.

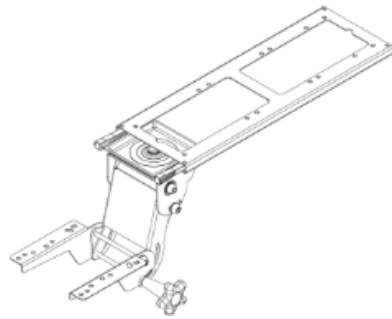
Engage us at any point in the process and we'll quickly become a responsive and effective part of your team.

Knap & Vogt expertise includes:

- Engineering, Modeling and Prototyping
- Project Management
- Fabrication and Manufacturing at-Scale
- Product Testing, QA and Regulatory Validation
- Value Engineering
- Global Supply Chain Support and Service



KNAP & VOGT®



5500D17 Encore Arm

VAVE Challenges: Finding ways to remove costs without sacrificing performance

With the ever-increasing supply of low-cost imported products entering the marketplace, Knappe & Vogt is constantly reviewing our manufacturing techniques, processes and designs in order to provide products at a competitive price point without sacrificing quality or performance.

One successful solution has been to reduce the gauge thickness of material used on the track assembly of the Encore Arm and also use material from within the track to manufacture the left and right tray heads. The track assembly is stamped on a progressive stamping die, so with a slight modification to the die, we are able to stamp tray heads at virtually no cost.

Initiatives such as this allow us to maintain our competitiveness and pass on the savings to our partners.

- Reduction in material thickness for track assembly without sacrificing performance
- Used material from within the track assembly for the tray head
- Passed on the savings to customers allowing a competitive solution against low-cost imports



Put us to the test

Knape & Vogt engineers are veteran problem solvers and welcome your challenges in security, access, storage, aesthetics and ergonomics.

In approaching any project, our multi-disciplined team (design, engineering, manufacturing, packaging, logistics) apply proven VAVE principles to uncover more opportunities for refinement and improvement along every step in the value chain.

Along the way, our in-house testing capabilities ensure that you can stand behind the components and products you source from KV. We provide you with all the documentation required to satisfy regulatory and industry bodies such as:

- ANSI
- BIFMA
- CGSB
- HFES
- LEED
- MBDC "Cradle-to-Cradle"

Knape & Vogt's relentless pursuit of *"the business of motion"* will move your company forward—with confidence.



Everywhere you need us to be

Based in Grand Rapids, Mich., with manufacturing and distribution in North America and Asia, Knape & Vogt exceeds the highest demands of our customers, matching uncompromising quality with reliable logistics and superior customer support.

Our global support network, including Knape & Vogt Distribution Centers in Spain and Shanghai, is available to you at a moment's notice.

We welcome your inquiries

Whether you're just beginning to brainstorm a new design, or you're struggling to execute a project already underway, our engineering experts in motion control and ergonomics stand ready to lend a hand. Please contact us and let us know how Knape & Vogt can help create more space in the ever-shrinking workspace and re-engineer your ergonomic success.



KNAPE & VOGT