

FRONT PANEL HOLE DIMENSIONS:

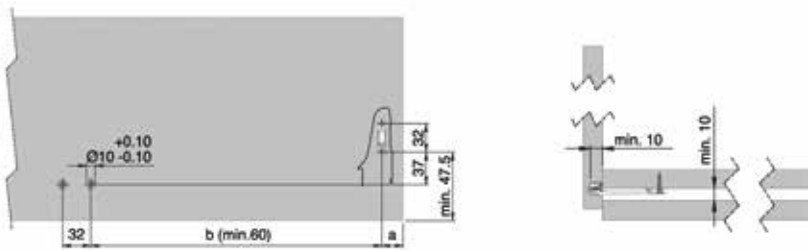


Figure - 1

- * Dowel fixating holes should be drilled by $\varnothing 10$ mm drill according to dimensions as shown in figure - 1 to mount the stabilizer to the front panel.
- * Fixing recomended stabilizer while centering to front panel.

MOUNTING THE STABILIZER TO FRONT PANELS:

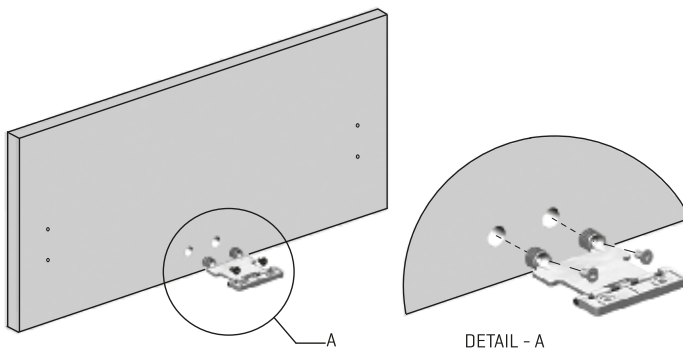


Figure - 2

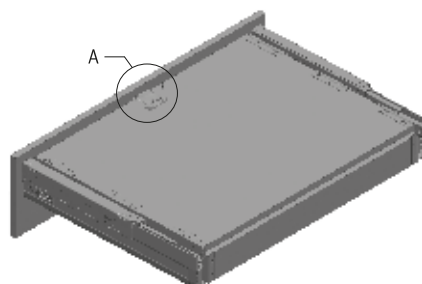
- * Install the stabilizer to the drilled holes with screws wich are packed with product as shown in Figure - 2.

WOODEN FLOOR HOLE DIMENSIONS:



Figure - 3

- * Mark the fixing holes to fixate stabilizer to the wooden floor, as shown dimensions in figure - 3.
- * Install the stabilizer to wooden floor by using chipboard screw $\varnothing 3,5 \times 16$ mm.



DETAIL - A

- * Install the front apnel to the drawer and screw the stabilizer to the marked holes on wooden floor with chipboard screw $\varnothing 3,5 \times 16$ mm.