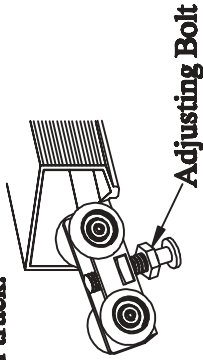


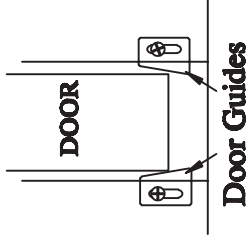
POCKET DOOR INSTALLATION INSTRUCTIONS

1. Insert 4-Wheel carriers in track.



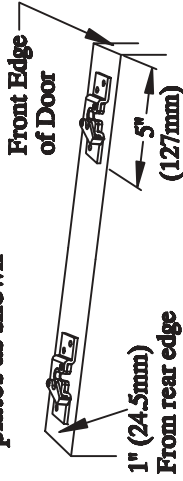
Screw adjusting bolt to lowest position.

5. Attach door guides as shown.



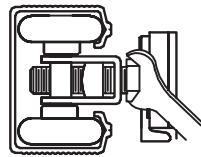
6. Final Finishing.

2. Attach hanger mounting plates as shown

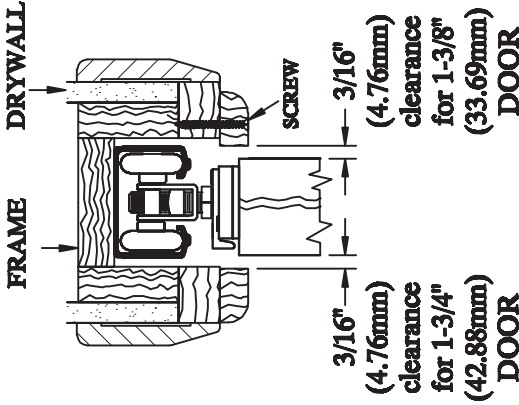


3. Hang door, mounting rear edge first, then front edge. Insert adjusting bolt into hanger plates and "Lock" in.

4. Plumb door by turning adjusting screw with wrench supplied.



6. Final Finishing.

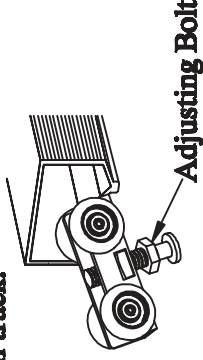


Attach door stop moldings around doorway, over door guides.

NOTE: For easy door removal use screws to attach at least one of the overhead stops: the one on the right as you face the door in the pocket.

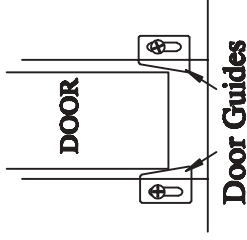
POCKET DOOR INSTALLATION INSTRUCTIONS

1. Insert 4-Wheel carriers in track.

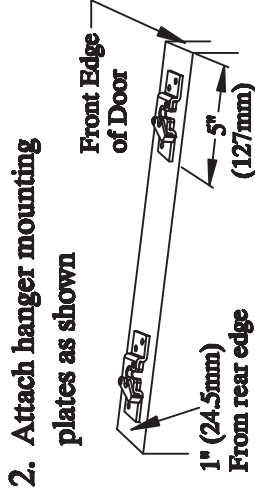


Screw adjusting bolt to lowest position.

5. Attach door guides as shown.

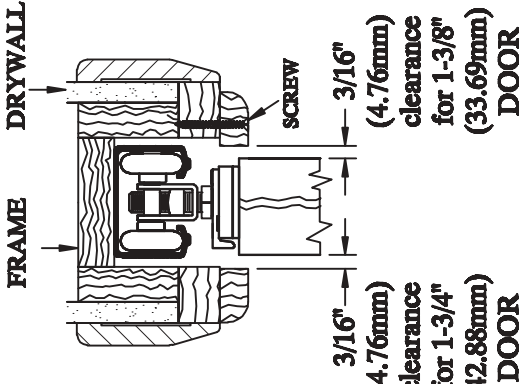
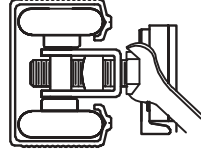


6. Final Finishing.



3. Hang door, mounting rear edge first, then front edge. Insert adjusting bolt into hanger plates and "Lock" in.

4. Plumb door by turning adjusting screw with wrench supplied.



Attach door stop moldings around doorway, over door guides.

NOTE: For easy door removal use screws to attach at least one of the overhead stops: the one on the right as you face the door in the pocket.

© Copyright 2004

John Sterling Corporation
11600 Sterling Parkway, Box 0469
Richmond, Illinois 60071 U.S.A.

© Copyright 2004

John Sterling Corporation
11600 Sterling Parkway, Box 0469
Richmond, Illinois 60071 U.S.A.