



8080EZ Pivot Door Slide Mix & Match Hinge Program

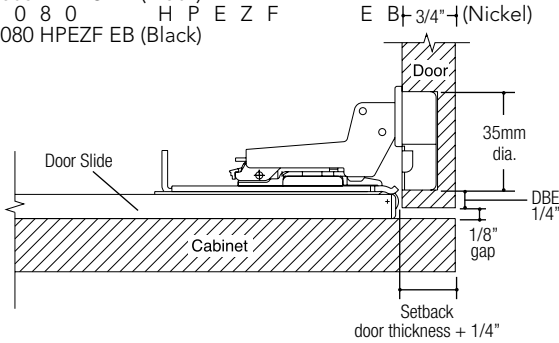
(Hinges feature a new release mechanism and are also available in an black finish)

FRAMELESS APPLICATIONS

STANDARD OR FREE-SWING INSET - product number: 8080 HPEZS or 8080 HPEZF

Frameless, inset application with 3/4" thick door.

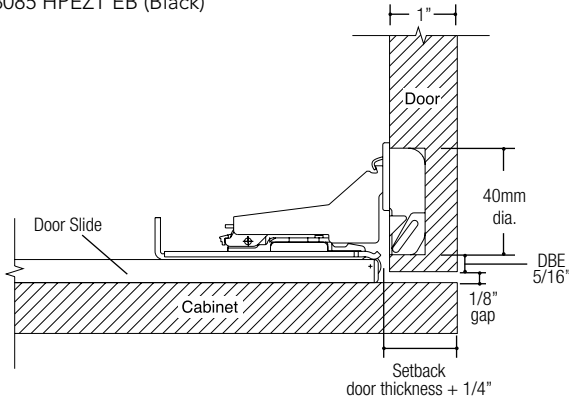
8080 HPEZS (Nickel),
8080 HPEZS EB (Black)
8 0 8 0 H P E Z F
8080 HPEZF EB (Black)



THICK INSET - product number: 8085 HPEZT

Frameless inset application with 1" thick door. Rear corner of door may be beveled at 45° to use doors up to 1-1/4" thick.

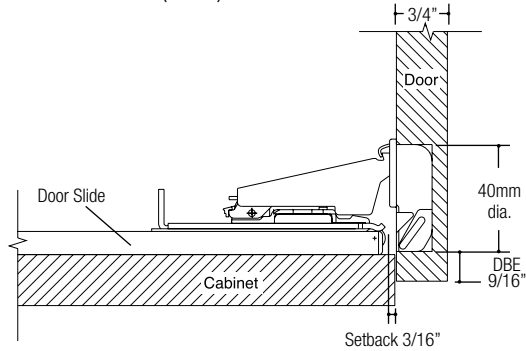
8085 HPEZT (Nickel)
8085 HPEZT EB (Black)



PARTIAL OVERLAY - product number: 8080 HPEZL

Frameless application with 3/4" thick door. Maximum overlay with full hinge adjustment is 3/8".

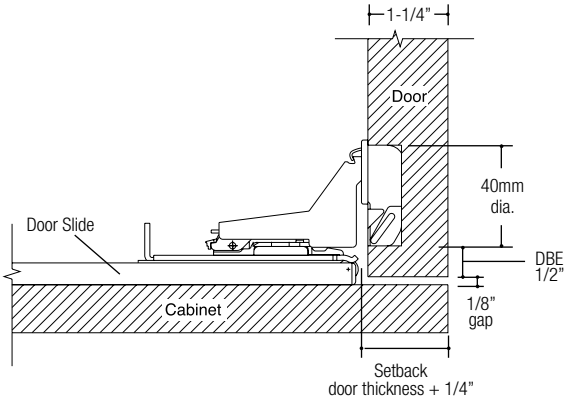
8080 HPEZL (Nickel)
8080 HPEZL EB (Black)



EXTRA THICK INSET - product number: 8086 HPEZX

Frameless inset application with 1-1/4" thick door.

8086 HPEZX (Nickel)
8086 HPEZX EB (Black)



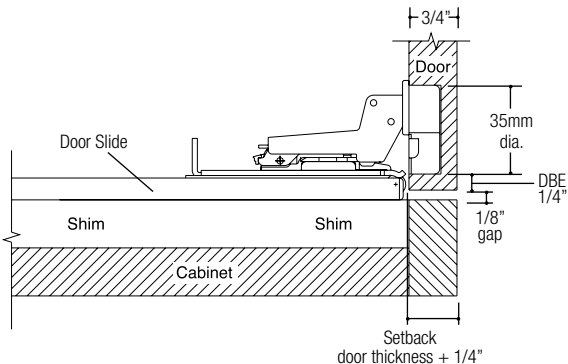
FACE-FRAME APPLICATIONS

To use the 8080 in face frame applications, requires that the slide be blocked out from the side panel of the cabinet, as shown in the following illustrations.

STANDARD INSET - product number: 8080 HPEZS

Face-frame applications with 3/4" thick door.

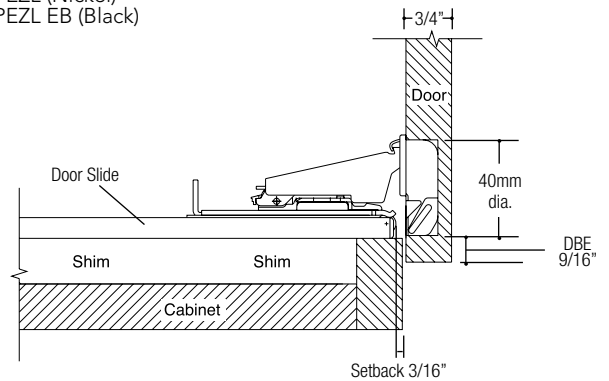
8080 HPEZS (Nickel)
8080 HPEZS EB (Black)



PARTIAL OVERLAY - product number: 8080 HPEZL

Face-frame applications with 3/4" thick door. Maximum overlay with full hinge adjustment is 3/8".

8080 HPEZL (Nickel)
8080 HPEZL EB (Black)



Illustrations are drawn based on nominal dimensions. Hinges can be adjusted to allow the use of different door thicknesses which may vary within a quarter inch range (plus or minus 1/8").

KV recommends that a test sample be built using scrap blocks of wood to verify the exact fit of your application before drilling the hinge cup holes.



KNAPE & VOGT

2700 Oak Industrial Drive NE • Grand Rapids, MI 49505 • 616.454.3311 • www.kv.com

OL1928/0507

KNAPE & VOGT DOOR SLIDE APPLICATION CHART

MODEL	DESCRIPTION	HORIZONTAL PIVOT DOORS MAX. 48"W X 24"H			VERTICAL PIVOT DOORS MAX. 24"W X 42"H			MAXIMUM DOOR SPECIFICATION	
		Under Top Bracket	Under Top Case	Over Top Door	Side	Partition	Bracket	Weight	Thickness
8040	3/4" up & over "flipper" door			●				20	3/4" Min., No Max.
8041	8040 with brackets			●				20	3/4" Min., No Max.
8042	1" up & over "flipper" door			●				20	3/4" Min., No Max.
8043	8042 with brackets			●				20	3/4" Min., No Max.
8044	Straight up & over "flipper" door			●				20	3/4" Min., No Max.
8045	8044 with brackets			●				20	3/4" Min., No Max.
8050	Up & under receding door	●		●***				20	20 3/4" Min., No Max.
8060	Up & over receding door; Assist up & down					●		20	3/4" Max.
MODEL	DESCRIPTION	HORIZONTAL PIVOT DOORS MAX. 48"W X 24"H			VERTICAL PIVOT DOORS MAX. 24"W X 42"H			MAXIMUM DOOR SPECIFICATION	
8080	Std. pivot door & 3/4" hinge			●***	●			30	3/4" +/- 1/8"
8081	Std. pivot door without hinge or base			●***	●			30	dependent on hinge
8082*	Std. pivot door with hinge base only			●***	●			30	1" +/- 1/8"
8085	Thick pivot door with 1" hinge			●***	●			30	1" +/- 1/8"
8086	Extra-thick door with 1-1/4" hinge			●***	●			30	1-1/4" +/- 1/8"
HINGE PACKS	DESCRIPTION				Side	Partition	Bracket	Weight	Thickness
*8080 HPEZS	3/4" Inset		●		●				3/4" +/- 1/8"
*8080 HPEZS EB	3/4" Inset		●		●				3/4" +/- 1/8"
*8080 HPEZL	3/4" Overlay		●		●				3/4" +/- 1/8"
*8080 HPEZL EB	3/4" Overlay		●		●				3/4" +/- 1/8"
*8080 HPEZF	3/4" Free swing		●		●				3/4" +/- 1/8"
*8080 HPEZF EB	3/4" Free swing		●		●				3/4" +/- 1/8"
*8085 HPEZT	1" Inset		●		●				1" +/- 1/8"
*8085 HPEZT EB	1" Inset		●		●				1" +/- 1/8"
*8086 HPEZX	1-1/4" Inset		●		●				1-1/4" +/- 1/8"
*8086 HPEZX EB	1-1/4" Inset		●		●				1-1/4" +/- 1/8"

* All Knappe & Vogt hinge packs may be used interchangeably with the 8082 door slide.

** Requires use of additional guide roller (8080-105) and fastening screw (200305) in horizontal applications. Order Knappe & Vogt Part # 8080-90 EB 20.

*** Built to order. Sized according to customer requirements. Minimum order quantities apply.