

Drawer Slides

Ball-Bearing | Undermount | Specialty | Roller



KNAPE & VOGT.



KV Drawer Slides. Single Source. All Solutions.

Knape & Vogt is your single source for one of the most comprehensive selections of drawer slides on the market today. Our product line covers the entire spectrum of performance and value, supported by a full range of design, manufacturing and service support. The result is a selection of brands with a depth and breadth that is unparalleled in the industry, including:



Designed and built to exacting specifications, and marketed from our base in Grand Rapids, Michigan, USA, KV is the premium slide of choice among architects, designers and builders of high-end cabinetry, furniture and equipment.



Engineering and manufacturing know-how are built into KV GSlide, our best-in-class ball-bearing and undermount import slide. KV GSlide offers four ball bearing models including soft-close and push-to-open technologies. The KV GSlide undermount features soft-close technology along with multiple drawer alignment features.



Designed to meet the needs of today's value-conscious professional, the KV Tru-Trac Slide offers performance and economy backed by proven Knape & Vogt quality, reliability and service.



An economy grade slide engineered to compete with today's value-priced slides, KV DuriSlide is the right choice in a medium-duty slide for the professional on a budget.



First Name in Drawer Slides

Knape & Vogt brings together high-quality materials and advanced manufacturing processes to design and manufacture KV Drawer Slides, an extensive collection of durable, long lasting slides that consistently exceed standards for quality, value, and service. Whether your application calls for ball-bearing, undermount, specialty or roller slides, the KV brand offers a full range of styles, weight capacities, lengths and finishes to meet almost any need.

Precision Ball-Bearing Slides

At the center of our product line are ball-bearing slides, especially those in the medium-duty, 75 lb. to 100 lb. class. With a precision ball race forged from high-strength steel and more ball-bearings per inch than most competitors, our ball-bearing slides are among the quietest and smoothest-gliding in the industry. Finely tuned designs provide a host of in-demand features including soft-close, self-close and push-to-open. Which means you'll find KV slides in a wide range of drawer applications from the lightest duty keyboard tray to custom cabinetry and woodwork installations to heavy-duty vehicular, tool storage and electronic equipment uses.

Medium-Duty

8400 Series

The heart of the market, KV produces top-of-the line medium-duty ball-bearing slides. Our premier 8400 Series features 100 lb. class full extension and 90 lb. class over travel slides ideal for box or file drawer applications. The series features a 32mm hole pattern with direct access mounting, a push-in lever disconnect for easy drawer removal and a non-handed design with a variety of options available in several models.

Models

8400: Full extension
8405: 1" Over travel
8407: Full extension, integrated shelf tabs
8414: Full extension, hold-out



8450FM Series Soft-Close

The breakthrough 8450FM Soft-Close Slide with patented Force Management™ technology features 100 lb. class full extension and 90 lb. class over travel best-in-class slides, delivering smooth, quiet operation and secure close without slamming. It is ideal for desk and credenza box drawers, cabinetry and millwork.

Models

8450FM: Full extension
8455FM: 1" Over travel



8417, 8419, 8400RV Self-Close

The 100 lb. class full extension and 90 lb. class over travel slides are designed for kitchen and residential cabinetry, wood pedestals, casework and institutional furniture. Its fully integrated self-close module allows for a slide-assisted close and helps hold the drawer in the closed position.

Models

8417: Full extension
8419: 1" Over travel
8400RV: Full extension, heavy-duty



8420, 8425 Series Metal Cabinet and Drawer Slide

The 100 lb. class full extension and 90 lb. class over travel metal application slide feature tool-less installation, lever disconnect and hold-in detent. This slide is ideal for metal desks, cabinets, tool storage carts or medical equipment carts.

Models

8420: Full Extension
8425: 1" Over travel



Precision Ball-Bearing Slides



Heavy-Duty

6500 Series Heavy-Duty

The 6500 Series 125 lb. class slides support box or file drawer applications with wider drawers and heavier weight capacity. Two models feature closed position hold-in detent to prevent bounce back.

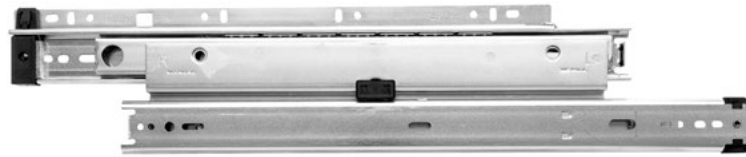


Models

6500: Full extension, lever disconnect
6505: 1" Over travel, quick disconnect rail

8500 Series Lateral File Drawer

The heavy-duty 8500 Series slides are 150 lb. to 175 lb. class slides designed for desk drawers, credenzas, pedestals, wide kitchen drawers and lateral file cabinets. Each features a quick disconnect rail, 32mm and traditional mounting holes and hold-in detent to prevent bounce-back.



Models

8500: Full extension, for max. 36" drawers
8505: 1-1/4" Over travel, for max. 30" drawers
8520: Full extension, for max. 42" drawers
8525: 1-1/4" Over travel, for max. 36" drawers

8600 Series Heavy-Duty

The heavy-duty 8600 series are designed to accommodate wider and heavier drawers for today's challenging applications in the commercial, residential and education markets. This slide has a shorter profile vs. traditional lateral file slides and features a lever disconnect.



Models

8600: Full extension, butterfly disconnect
8605: 1" Over travel, butterfly disconnect

8620 Series

The 150 lb. class full extension and 140 lb. class over travel metal application slide feature tool-less installation, lever disconnect and hold-in detent. This slide is ideal for metal desks, cabinets, tool storage carts or medical equipment carts.



Models

8620: Full extension
8625: Over travel

Heavy-Duty

8650FM Series Heavy-Duty Soft-Close

The 8650FM Soft-Close Full Extension Drawer Slide is designed to accommodate wider and heavier drawers for today's challenging applications in the commercial, residential and education markets. This slide has a shorter profile vs. traditional lateral file slides and features a lever disconnect.

Models

8650FM: Full extension, butterfly disconnect
8655FM: Over travel, butterfly disconnect



8810 Series Heavy-Duty

The heavy-duty 8810 Series are 200 lb. class slides designed for use wherever strength and durability are required, including tool storage, truck bodies, lateral files and other commercial or industrial applications. Two models feature closed position hold-in detent to prevent bounce back and a non-handed design.

Models

8810: Full extension, lever disconnect
8815: 1" Over travel, quick disconnect rail



8820 Series Heavy-Duty

The 200 lb. class full extension and 190 lb. class over travel metal application slide feature tool-less installation, lever disconnect and hold-in detent. This slide is ideal for metal desks, cabinets, tool storage carts or medical equipment carts.

Models

8820: Full extension, butterfly disconnect
8825: 1" Over travel, butterfly disconnect



8900 Series Extra Heavy-Duty

The extra heavy-duty 8900 Series are 500 lb. class full extension slides designed for use wherever extra strength and durability are required, including residential, commercial and office furniture, school and institutional casework, heavy-duty tool storage and a range of specialty commercial, industrial and vehicular applications. All are non-disconnecting and feature a non-handed design.

Models

8900: Full extension
8908: Full extension, lock-in/lock-out
8909: Full extension, lock-out
8910: Full extension, lock-in



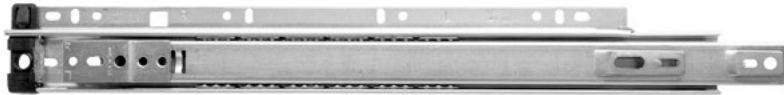
Precision Ball-Bearing Slides



Light-Duty

8350 3/4 Extension

The 8350 Series is a 75 lb. class, 3/4 extension slide family perfect for light-duty desk, credenza and pedestal box drawers, cabinetry and millwork. Four models feature a 32mm hole pattern.



Models

8350: Lever disconnect, non-handed

4400 Series Low Profile

The 4400 is a 65 lb. class, full extension slide designed for box drawers, pedestal file drawers or other applications where a low-profile is preferred. Features a push-in lever disconnect for easy drawer removal, hold-in detent to prevent bounce back and optional front and rear brackets.



Models

4400: Full extension

4450 Soft-Close

The 4450 is a 65 lb. class full extension drawer slide with soft-close that is designed to accommodate lighter and shallower low height drawers for home and commercial applications where a low profile slide is desired. It features a lever disconnect for easy drawer removal and a soft-close module that delivers a smooth open and quiet, secure close without slamming.



Models

4450: Soft-close

Undermount Drawer Slides

The premier choice of cabinet makers, MuV+ Undermount slides raise the bar for undermount function. The patented MuV+ soft-close module provides a quieter-than-ever soft-close and smooth operation that is unmatched in the industry. MuV+ slides also are flexible, with height, side-to-side and inset adjustment features preferred by cabinet makers everywhere. KV Undermount slides are designed for medium-duty applications that require concealed hardware, including cabinets in the kitchen and bath, custom cabinetry in home or office and more.

MuV+

MuV+ Medium-Duty

This medium-duty 75 lb. class full extension undermount drawer slide is designed to highlight quality craftsmanship by concealing slide hardware in applications such as wood office furniture, kitchen cabinetry and drawers in other home environments. MuV+ accommodates drawer material thicknesses ranging from 1/2" to 5/8". For use with drawers up to 32" wide depending on drawer height.

Models

MuV+: Full extension



Specialty Ball-Bearing Slides



6300 Corrosion Resistant

The 6300 Corrosion Resistant Slide is designed to be used in applications where an extra level of finish protection is needed and uses a USDA H-1 approved grease.



Models

6300CR: Full extension, butterfly disconnect

6400 Stainless Steel

The medium-duty 6400 is a 100 lb. class slide designed for use in watercraft, patios and outdoor kitchens exposed to wet or corrosive environments. Fabricated from 304-grade stainless steel it features a push-in lever disconnect, non-handed design and USDA H-1 approved grease for use in food preparation areas.



Models

6400 SS: Full extension, lever disconnect

8000 Undermount Pantry Drawer

The heavy-duty 8000 is a 130 lb. class slide ideal for kitchen pantries, computer and entertainment centers or anywhere a pull-out shelf is needed. It features keyhole-shaped mounting holes and removable brackets for easy installation, hold-in detent and 1" over travel.



Models

8000: 1" Over travel

Overhead Door and Desk Slides

8050 Undermount Hinged

The 8050 is a 20 lb. class slide designed for receding or "up and under" door applications. Features a 3/4" hinge, a one piece, non-marring roller and a permanently staked hinge pin in a range of sizes.

Models

8050: 3/4" hinge



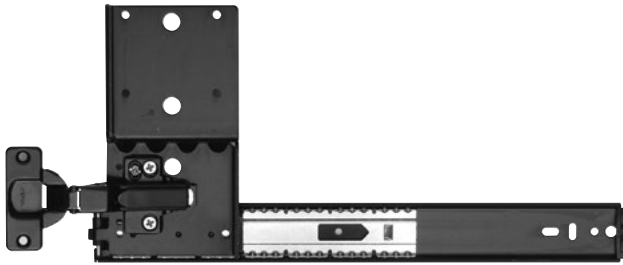
Door Slides

8070, 8080 & 8090 Series Pivot Door Slides

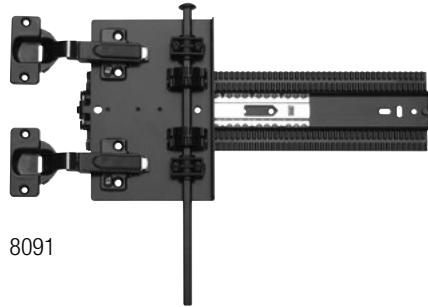
Pivot door slides with 3/4 extension ranging from 30 lb. to 75 lb. load class for applications such as entertainment centers and home theater cabinets. Each is built with precision steel ball-bearings delivering a smooth and quiet operation. Featuring a multitude of options, including self-close, free-swing, overlay, thick door and extra thick door hinges.

Models

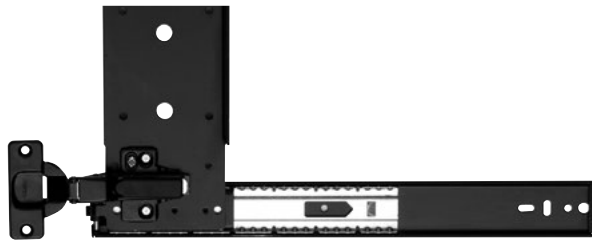
- 8070: Includes self-close hinge
- 8071: Order hinges and base plates separately
- 8072: Attached hinge base
- 8080: Includes self-close hinge
- 8081: Order hinges and base plates separately
- 8082: Attached hinge base
- 8091: Heavy-duty, order hinges and base plates separately
- 8092: Heavy-duty, attached hinge base, order hinges separately



8070



8091



8080

Roller Slides

Light-duty roller slides are widely used in residential and commercial environments where a durable basic slide is required. Cost effective and easy to replace, roller slides are ideal for use in kitchen cabinets, bathroom vanities, architectural woodwork and built-ins, store fixtures and office furniture.

1175 Center Under Drawer

The 1175 is a 50 lb. class 3/4 extension center mount slide with two roller guides that create a smooth and secure ride. It mounts with staples or screws for quick installation. Drawers lift out for easy removal.



Models

1175: 3/4 extension



1300 Series

The 1300 Series is a 75 lb. class 3/4 extension slide designed for kitchen cabinets, architectural woodwork, bathroom vanities and store fixture applications where a lever disconnect is preferred. Several models feature positive stop lever hold-out feature that keeps drawers in open position, and a stay-close design.



Models

1300: 3/4 extension

1805 Euro-Style

The 1805 Euro-style Slide is a 75 lb. class 3/4 extension epoxy-coated slide for use in both frame and frame-less construction. It is ideal for kitchen cabinet, commercial millwork, home office and RTA furniture applications. Features include 32mm hole pattern, self-close and lift-out disconnect.



Models

1805: 3/4 extension, self-close

Performance Ball-Bearing and Undermount Slides

For professionals who require a more cost-sensitive performance slide, we recommend these top-performing KV brands: KV GSlide, our best-in-class ball-bearing import slide, KV Tru-Trac and KV DuriSlide. Ideal for use in wood residential and commercial furniture, architectural, laboratory and school casework, store fixtures and displays and storage drawers, all three are engineered to compete with today's value pricing and they're backed by KV quality, reliability and service.

GSlide™ Ball-Bearing Slides

Knape & Vogt engineering and manufacturing know-how are built into KV GSlide, our best-in-class ball-bearing import slide. Manufactured by KV Asia in Taipei, Taiwan, KV GSlide offers soft-close technology, delivering an ultra-smooth slide operation and high-quality soft-close dampening effect. The GS4270 Series 100 lb. Soft-Close is a favorite of cabinet makers with cost sensitive projects who are looking for high-quality, consistent soft-close performance.

GS4200 Full Extension

The KV GS4200 medium-duty 100 lb. class full extension drawer slide features 32mm and traditional hole patterns, ball-bearing movement, lever disconnect and non-handed design.

Models
GS4200: Full extension



GS4205 Over Travel

The KV GS4205 medium-duty 90 lb. class slide features 32mm and traditional hole patterns, ball-bearing movement, lever disconnect, 1" over travel and non-handed design.

Models
GS4205: Over travel



GS4260 Push-to-Open

The KV GS4260 medium-duty 100 lb. class full extension drawer slide features 32mm and traditional hole patterns, ball-bearing movement, push-to-open functionality, lever disconnect and non-handed design.

Models
GS4260: Push-to-open



GS4270 Soft-Close

The KV GS4270 medium-duty 100 lb. class full extension soft-close drawer slide delivers an ultra-smooth slide operation and high-quality soft-close dampening effect. Other features include 32mm and traditional hole patterns, ball-bearing movement and lever disconnect and non-handed design.

Models
GS4270: Soft-close



Performance Ball-Bearing Slides



GSlide™ Undermount Slide

This premier value-priced concealed undermount slide features everything that an end user would want in a slide. Soft-close technology, height and side-to-side drawer front adjustment, plus a 75-pound load limit and industry standard length offering are the bases for this value line.

GS2070 Soft-Close Undermount

This 75 lb. class full extension drawer slide delivers concealed undermount function with smooth, quiet soft-close operation. It is designed to highlight quality craftsmanship by concealing hardware in applications such as wood office furniture and kitchen cabinetry. A 3D release lever (sold separately) offers tool-free fine-tuning of your drawer installation. Recommended for drawer material thicknesses of 1/2" to 5/8".

Models

GS2070: Full extension



Tru-Trac®

Designed to meet the needs of today's value-conscious professional, the KV Tru-Trac offers performance and economy backed by proven Knappe & Vogt quality, reliability and service. The KV Tru-Trac TT100 is the smart choice in an import slide built for economy: a medium-duty slide meeting industry test standards with smooth ball-bearing operation and no-rebound.

TT100 Full Extension Ball-bearing Drawer Slide

The KV TT100 medium-duty 100 lb. class slide is side-mounted and ideal for face-frame or frameless construction. Features include 32mm and traditional hole patterns, ball-bearing movement, lever disconnect, hold-in detent to prevent bounce back and a non-handed design.

Models

TT100: Full extension



Performance Ball-Bearing Slides



An economy grade slide engineered to compete with today's value-priced slides, KV Durislide is the right choice in a medium-duty slide for the professional on a budget. The DuriSlide 4500 ball-bearing construction delivers unparalleled, smooth operation backed by KV quality, reliability and service.

4500 Ball-Bearing Drawer Slide

The KV DuriSlide 4500 medium-duty 100 lb. class full extension slide delivers, smooth operation. Features include 32mm and traditional hole patterns, ball-bearing movement, lever disconnect and non-handed design.



Models

DUR4500: Full extension

OEM Packs

DUR45-90: Cabinet Assembly

DUR45-92: Track Member

Service

Knapé & Vogt is committed to helping you operate your business smoothly and profitably, providing the products you need and the service you deserve. Our design sales and customer service representatives all work toward one goal: your complete satisfaction.

Quality

Testing Standards

Knapé & Vogt meets, and in most cases exceeds, the ANSI testing standards established by the following organizations: BIFMA, KCMA and BHMA. KV also offers a free consultation and “no charge” testing services to help you select the best slide for your project.



BHMA

ISO 9001: 2000 Certified

As an ISO 9001: 2000 registered company, Knapé & Vogt ensures that each product has been designed and manufactured to the highest quality standards possible.

RoHS Compliant

Most Knapé & Vogt slides with an anochrome finish are RoHS (Reduction of Hazardous Substances) compliant. Contact KV for more details.



KNAPE & VOGT®

2700 Oak Industrial Dr. NE
Grand Rapids, MI 49505-6026 USA
Tel: 1.800.253.1561 | 616.459.3311
Fax: 877.636.3290
www.kv.com

This and other KV literature is available for download at www.kv.com > Resource Library

Knapé & Vogt reserves the right to change product specifications at any time without notice and without incurring responsibility for existing units.

©2022 Knapé & Vogt. KV and the KV logo are trademarks of Knapé & Vogt.

0L2178/0222