



# Pot & Pan Caddy

## PULL-OUT SYSTEMS

- Holds up to 25 lbs. per shelf
- Easy to clean
- Eco-friendly finish

**NEW SIZE!**

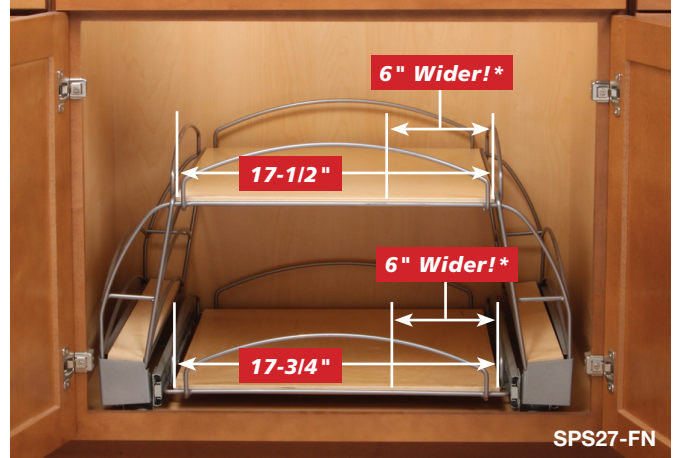


SPS27-FN



SPS21-FN

### NEW Larger Size Stores More!




SPS27-FN

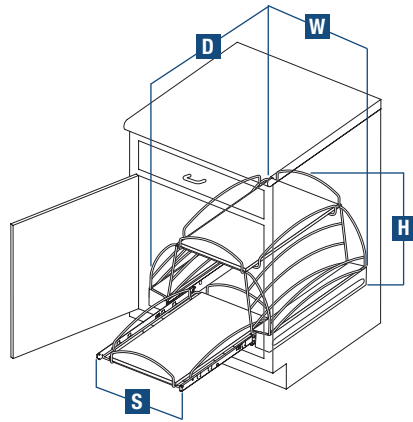
- 6 inches wider\*
- 244 extra square inches\*
- Stores more pots, pans and lids than other under cabinet pull-outs
- Fits 26" openings and wider

Never search for the right pan or dig for lost items in the back of a messy cabinet again. The Pot & Pan Caddy from Knap & Vogt® keeps pots, pans and lids organized and neatly tucked out of sight but still within a convenient arm's reach. Two separate pull-out sections extend completely outside of the cabinet, allowing full access to all items. Each section glides on concealed KV® heavy-duty ball-bearing precision slides with heavy-gauge wire fencing to keep items secure. The new proprietary Frosted Nickel finish is durable and coordinates with today's popular nickel and stainless steel finishes. It is also an eco-friendly alternative to chrome-plated finishes.

#### Features:

-  NEW KV eco-friendly Frosted Nickel finish
- Two separate pull-out sections provide flexible pot and pan storage and access
- Pre-finished birch veneer platforms with contoured skirting and Frosted Nickel heavy-gauge wire
- Easy installation with only 4 screws

\*When compared to the SPS21-FN.



Stock #	Sliding Assembly	Assembled Product Dimensions			Units per Carton	Weight per Carton
	S Width	W Width	H Height	D Depth		
SPS21-FN	19-1/2" [495 mm]	19-1/2" [495 mm]	14-1/4" [362 mm]	22-1/4" [565 mm]	1	32.6 lbs. [14.8 kg.]
<b>NEW SIZE!</b> SPS27-FN	25-1/2" [648 mm]	25-1/2" [648 mm]	14-1/4" [362 mm]	22-1/4" [565 mm]	1	33.8 lbs. [15.3 kg.]

**Features:**

- Installs easily with only 4 screws
- Heavy-duty KV® precision ball-bearing slides
- Made in the USA

**NEW Larger Size Stores More!**

- Stores more pots, pans and lids than other under cabinet pull-outs
- 6 inches wider\*
- 244 extra square inches\*
- Fits 26" openings and wider

**NEW Eco-friendly Frosted Nickel Finish**

- Designed to coordinate with today's popular nickel and stainless steel finishes
- Durable, proprietary finish is earth-friendly
- Great alternative to Chrome plating

\* When compared to SPS21 model.

**Applications**

Two separate pull-out sections provide flexible storage and easy, convenient access for a wide variety of pots, pans and lids.

**Load Rating:**

Up to 25 lbs. per shelf (when properly installed)

**Material:** Pre-finished birch veneer platforms with contoured skirting and heavy-gauge wire

**Finishes:**

**Platform:** Clear lacquer

**Wire and Skirting:** Frosted nickel powder-coating