

# Wood & Wire Systems

Kitchen Organization



KNAPE & VOGT®

# A Complete Solution

Knap & Vogt Wood & Wire Organization Systems add a sought-after level of functionality to today's kitchen, maximizing cabinet organization and making the most of under-counter space.

These units mount easily into base cabinets of all sizes to meet a wide range of kitchen storage needs. Gliding effortlessly on durable KV slides, they offer maximum accessibility to cabinet contents while minimizing bending and reaching into under-counter spaces.

Baltic birch platforms paired with heavy-gauge wire frames finished in offer a fresh, clean look that complements any kitchen décor.

Beautifully designed, engineered to last and backed by world-class quality and service, KV Wood & Wire Systems are the complete kitchen solution.

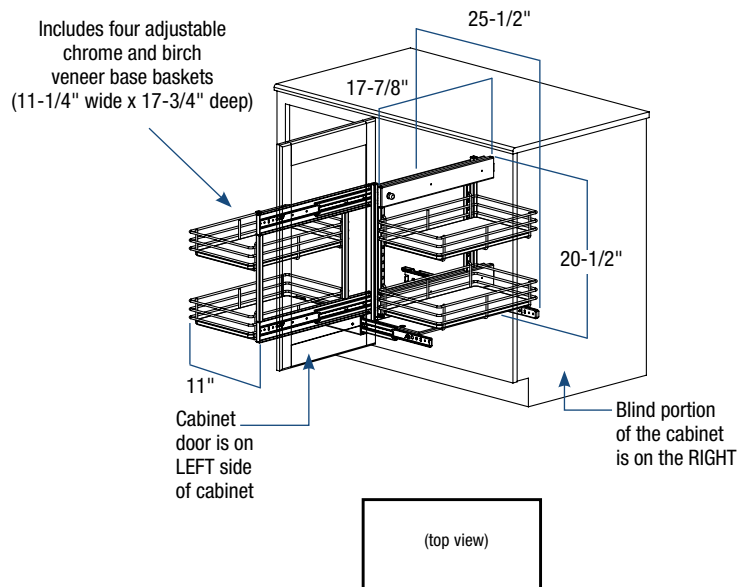
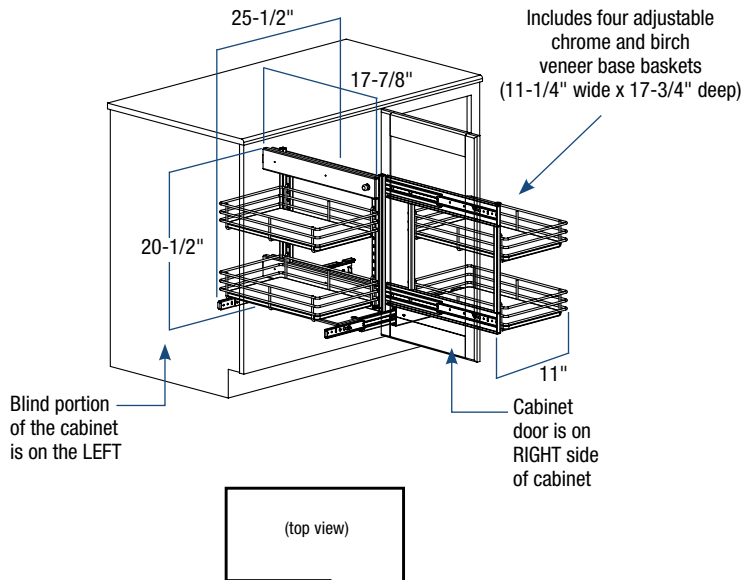
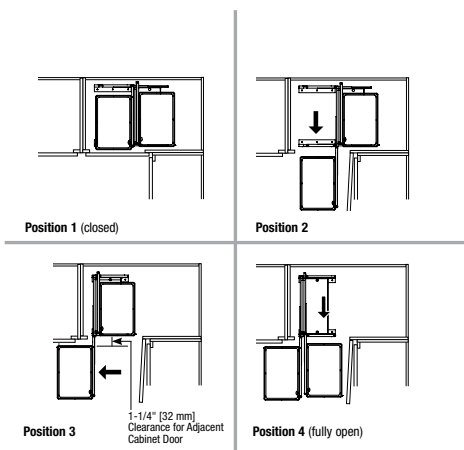


# Pull-Out Systems



## Slide-Out Base Blind Corner Unit

- Chrome finish
- Provides easy access to hard-to-reach blind corners
- Opens by manually pulling each half of the unit out of cabinet in three easy steps
- Heavy-duty precision ball-bearing slides
- Unit can install left or right



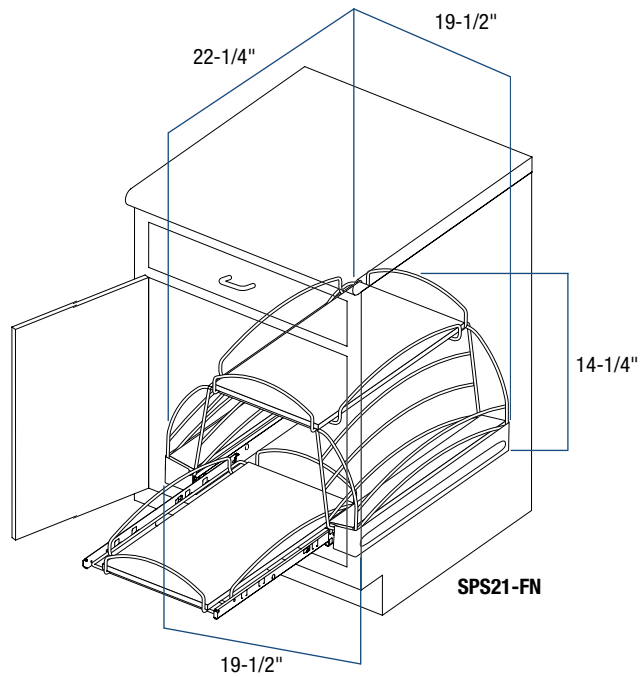


# Pull-Out Systems



## Pot & Pan Caddy

- Two separate pull-out sections provide flexible pot and pan storage and access
- Pre-finished Birch veneer platforms with contoured skirting and heavy-gauge wire fencing
- Easy installation with only four screws

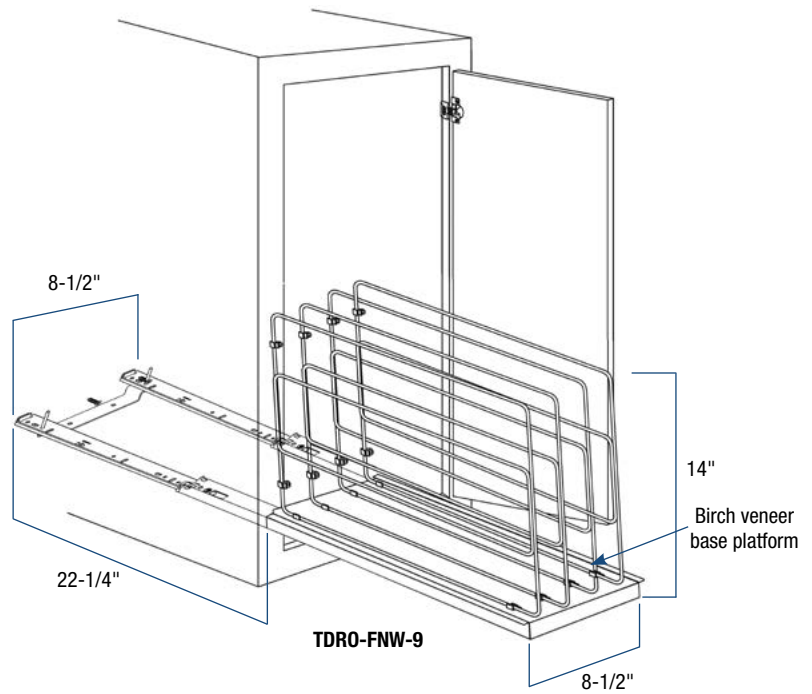


# Pull-Out Systems



## Wood & Wire Tray Divider Roll-Outs

- Heavy gauge wire frames
- Birch veneer base platform
- Slides out on heavy-duty, full-extension ball-bearing slides



# Pull-Out Systems

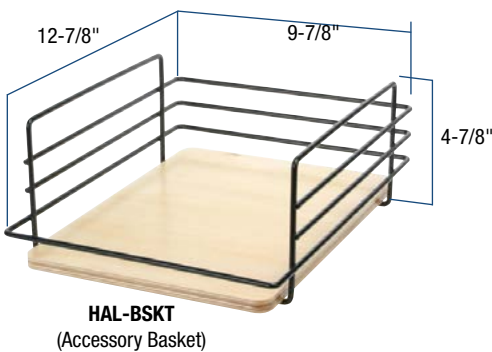


HAL-20 with WAL13.5-1  
(up position)

\*Do not use appliances directly on lift

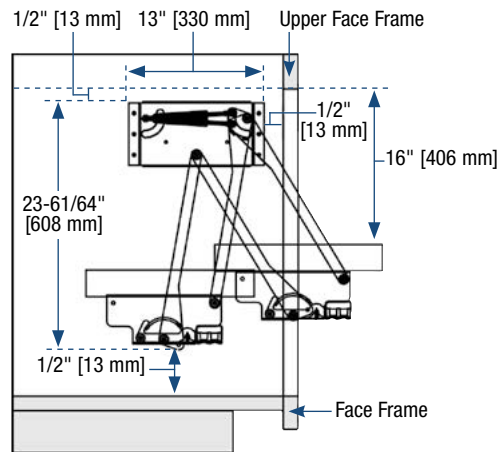
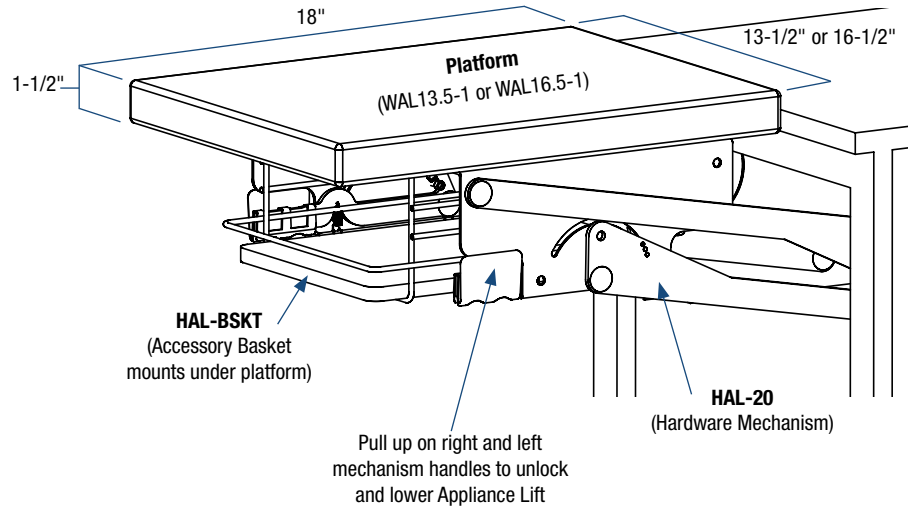


HAL-20 with WAL13.5-1  
(down position)



## Appliance Lift

- Kitchen appliances raise effortlessly with a gas cylinder assist and then lock securely into place
- Use Appliance Lift to assist in the raising and lowering of unit
- Can be outfitted with a custom block platform or a quality KV pre-made maple wood platform
- Lift can be positioned at two different levels: flush with counter or 2" below counter



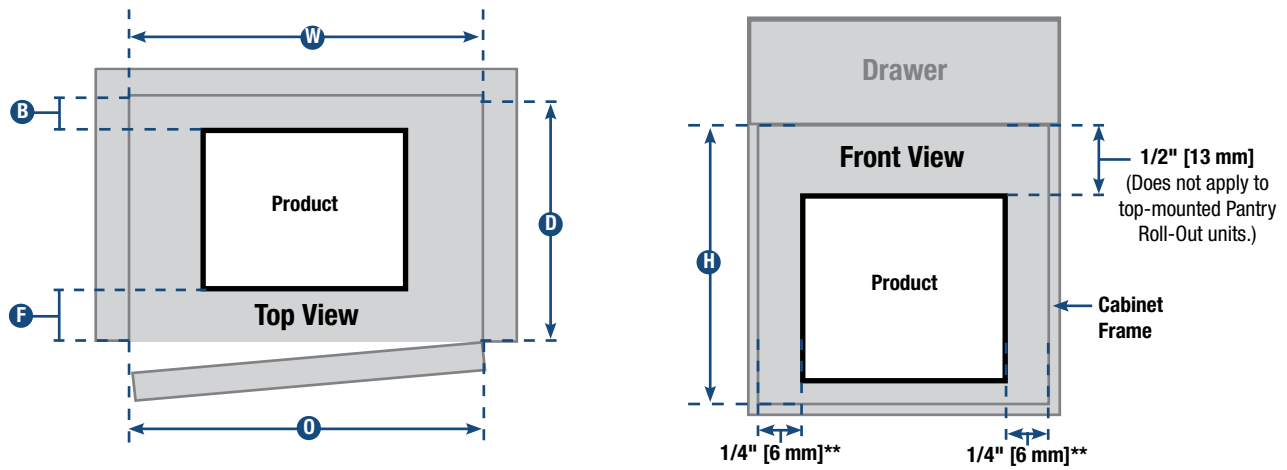
NOTE: Install 1/2" down and 1/2" back  
from Upper Face Frame (as shown)

# Product Dimensions

Stock #	Sliding Assembly Width	Assembled Product Dimensions			Finish	Units per Carton	Weight per Carton
		Height	Width	Depth			
<b>SLIDE-OUT BASE BLIND CORNER UNITS</b>							
BCUS-LR-15-CH	11" [280 mm]	20-1/2" [521 mm]	25-1/2" [648 mm]	17-7/8" [455 mm]	Chrome/Wood	1	63.9 lbs. [29 kg.]

Stock #	Sliding Assembly Width	Assembled Product Dimensions			Finish [Wire/Platform]	Units per Carton	Weight per Carton
		Width	Height	Depth			
<b>POT &amp; PAN CADDY</b>							
SPS21-FN	19-1/2" [495 mm]	19-1/2" [495 mm]	14-1/4" [362 mm]	22-1/4" [565 mm]	Frosted Nickel*/Birch	1	32.6 lbs. [14.8 kg.]
SPS27-FN	25-1/2" [648 mm]	25-1/2" [648 mm]	14-1/4" [362 mm]	22-1/4" [565 mm]	Frosted Nickel*/Birch	1	33.8 lbs. [15.3 kg.]
<b>WOOD &amp; WIRE TRAY DIVIDER ROLL-OUTS</b>							
TDRO-FNW-6	5-1/2" [140 mm]	5-1/2" [140 mm]	14" [356 mm]	22-1/4" [565 mm]	Frosted Nickel*/Birch	1	11.5 lbs. [5.2 kg.]
TDRO-FNW-9	8-1/2" [216 mm]	8-1/2" [216 mm]	14" [356 mm]	22-1/4" [565 mm]	Frosted Nickel*/Birch	1	13.9 lbs. [6.3 kg.]

Stock #	Description	Width	Height	Depth	Finish	Units per Carton	Weight per Carton
<b>APPLIANCE LIFT PARTS</b>							
HAL-20	Hardware Mechanism (left and right arm)	Platform Surface + 2-1/2" [64 mm]	23-61/64" [608 mm]	Maximum of 13" [330 mm] or Platform Depth	Platinum	1	13.7 lbs. [6.2 kg.]
WAL13.5-1	13-1/2" Maple Block Platform	13-1/2" [343 mm]	1-1/2" [38 mm]	18" [457 mm]	Maple	1	9.9 lbs. [4.5 kg.]
WAL16.5-1	16-1/2" Maple Block Platform	16-1/2" [419 mm]	1-1/2" [38 mm]	18" [457 mm]	Maple	1	12.3 lbs. [5.6 kg.]
HAL-BSKT	Accessory Basket	9-7/8" [251 mm]	4-7/8" [124 mm]	12-7/8" [327 mm]	Black/Birch	1	4.2 lbs. [1.9 kg.]



\*\* Slide-out Base Blind Corner Units and Base Cabinet Organizers require 1/2" side clearance on one side, not both.

## Cabinet Dimensions

Stock #	Min. Cabinet Opening		Minimum Interior Cabinet Dimensions		Minimum Cabinet Clearances	
	Width <b>D</b>	Width <b>W</b>	Height <b>H</b>	Depth <b>D</b>	Front <b>F</b>	Back <b>B</b>
<b>Slide-Out Base Blind Corner Units</b>						
BCUS-LR-15-CH	15" [381 mm]	26-11/16" [678 mm]	20-1/4" [514 mm]	22-11/16" [576 mm]	1/4" [6 mm]	1/4" [6 mm]
<b>Pot &amp; Pan Caddy</b>						
SPS21-FN	20" [508 mm]	20" [508 mm]	14-3/4" [375 mm]	22-3/4" [578 mm]	1/4" [6 mm]	1/4" [6 mm]
SPS27-FN	26" [660 mm]	26" [660 mm]	14-3/4" [375 mm]	22-3/4" [578 mm]	1/4" [6 mm]	1/4" [6 mm]
<b>Wood &amp; Wire Tray Divider Roll-Outs</b>						
TDRO-FNW-6	6" [152 mm]	6" [152 mm]	14-1/2" [368 mm]	22-3/4" [578 mm]	1/4" [6 mm]	1/4" [6 mm]
TDRO-FNW-9	9" [229 mm]	9" [229 mm]	14-1/2" [368 mm]	22-3/4" [578 mm]	1/4" [6 mm]	1/4" [6 mm]
<b>Appliance Lift</b>						
HAL-20	Platform Width + 1" [25 mm]	Platform Width + 2-1/2" [64 mm]	25" [634 mm]	Minimum of 16-1/2" [419 mm] OR platform depth	1/2" [13 mm]	1/2" [13 mm]

\* Minimum Cabinet Opening Width AND Minimum Cabinet Interior Width equals total width of completely assembled unit with all baskets applied, plus 1/2" clearance per side (1" total clearance for center-mounted units, 1/2" side clearance for side-mounted units). Dimensions shown are recommended minimum cabinet dimensions and clearances.



**KNAPE & VOGT**

2700 Oak Industrial Dr. NE  
 Grand Rapids, MI 49505-6026 USA  
 Tel: 1.800.253.1561 | 616.459.3311  
 Fax: 877.636.3290  
 www.kv.com

This and other KV literature is available for download at [www.kv.com](http://www.kv.com) > Resource Library

Knappe & Vogt reserves the right to change product specifications at any time without notice and without incurring responsibility for existing units.

©2020 Knappe & Vogt. KV and the KV logo are trademarks of Knappe & Vogt.