

DOOR HARDWARE

BI-FOLD | BY-PASS | POCKET | POCKET FRAME



KNAPE & VOGT®

The Knappe & Vogt® Door Hardware program features a broad range of size and weight class hardware kit options for Bi-Fold, By-Pass, and Pocket Sliding Doors.

The Knappe & Vogt name means quality and innovation, with products that are designed and built to survive a lifetime of use.

By specializing in sliding door hardware, Knappe & Vogt has established a program of superior products at an exceptional value.

Architects and builders will find everything they need to specify Knappe & Vogt door hardware including the finest customer service team in the industry.



KNAPPE & VOGT®



TABLE OF CONTENTS

BI-FOLD DOORS

BIF-20S 5

BIF-30S 5

BIF-50S | 50A 5

BIF-75A 5

BIF-100A 6

BIF-125A 6

BY-PASS DOORS

BYP-50S 9

BYP-60S 9

BYP-60A 9

BYP-60AFR 9

BYP-60AFS 10

BYP-60AFS3 10

BYP-60SW 10

BYP-60AFW 10

BYP-75AFW 11

BYP-75S | 75A 11

BYP-100A 11

BYP-125A 11

BYP-150A 12

BYP-250A 12

BYP-175I | 275I 12

POCKET DOORS

PKT-75S | 75A 14

PKT-100A 15

PKT-125A 15

PKT-150A 15

PKT-250A 15

POCKET FRAMES

PKF-75S 17

PKF-100A | 100A7 |
100A8 | 100A6W 17

PKF-150A | 150A7 |
150A8 | 150A6W 17

PKF-250A 17

PRODUCT OVERVIEW

..... 18



BI-FOLD DOORS

Bi-Fold doors are the versatile sliding door solution. Bi-Fold doors are applicable in a broad range of environments from pantries and closets, to room dividers and laundry facilities.

With Knap & Vogt door hardware, they are easy to install and offer a classic, elegant answer for lightweight to mid-heavyweight doors.

Knap & Vogt Bi-Fold Door Hardware is constructed of superior materials and engineered to perform in high traffic situations.

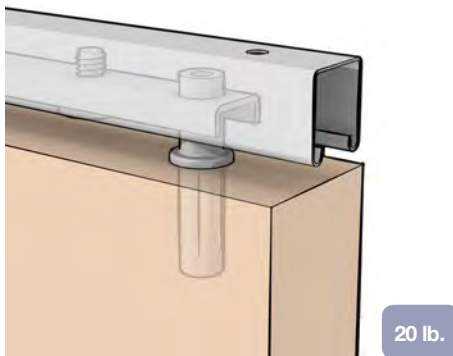


BIF-20S Series

Steel Track Door Hardware

Hardware for light-weight two and four panel bi-fold doors. The BIF-20S series is ideal for 20 lb bi-fold doors used for residential interior closets and pantries.

Door thickness: 3/4" to 1-3/4"
Load rating: Up to 20 lbs per panel (bi-fold)
Track: White steel box track
Compares to: Hettich/Grant 1500, Johnson 1825, 1838, Stanley BF20
Conforms to: ANSI/BHMA A156.14-2007 Grade 3, D8623

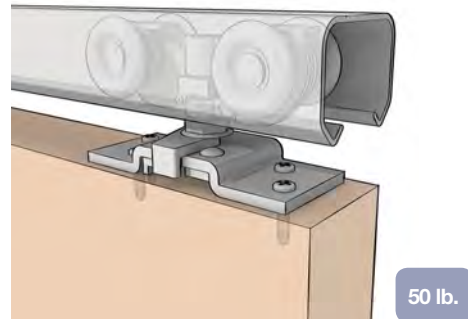


BIF-50S & BIF-50A Series

Steel or Aluminum Track Door Hardware

Hardware for medium to light-weight two and four panel bi-fold doors. The BIF-50S (steel track) and 50A (aluminum track) series are ideal for 50 lb bi-fold doors used for residential interior closets and pantries.

Door thickness: 3/4" to 1-3/4"
Load rating: Up to 50 lbs per panel (bi-fold)
Track: 50S steel box track; 50A aluminum box track
Carrier: 4-wheel ball bearing
Compares to: Hettich/Grant 1600, Johnson 170A, 1700, 1770, 1718, 1734, 1738, IIFD Stanley BF50
Conforms to: ANSI/BHMA A156.14-2007 Grade 1, D8621, D8622, D8623

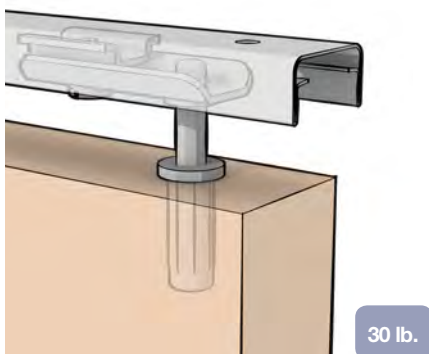


BIF-30S Series

Steel Track Door Hardware

Hardware for lighter-weight two and four panel bi-fold doors. The BIF-30S series is ideal for 30 lb bi-fold doors used for residential interior closets, pantries, and room dividers.

Door thickness: 3/4" to 1-3/4"
Load rating: Up to 30 lbs per panel (bi-fold)
Track: White steel box track
Compares to: Hettich/Grant 1500, Johnson 1825, 1838, Stanley BF30
Conforms to: ANSI/BHMA A156.14-2007 Grade 2, D86212, D8623

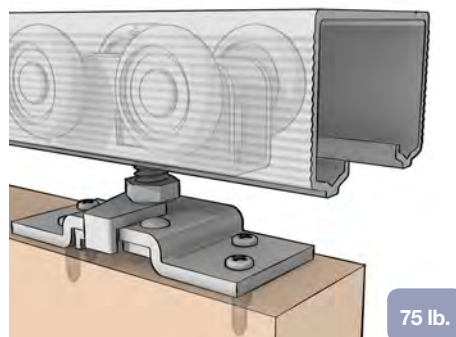


BIF-75A Series

Aluminum Track Door Hardware

Hardware for medium-weight two and four panel bi-fold doors. The BIF-75A series is ideal for 75 lb bi-fold doors used for commercial and residential interior closets and pantries.

Door thickness: 1-3/8" to 1-3/4"
Load rating: Up to 75 lbs per panel (bi-fold)
Track: Aluminum box track
Carrier: 4-wheel low friction bearing
Compares to: Johnson 100FD
Conforms to: ANSI/BHMA A156.14-2007 Grade 1, D8621, D8622, D8623

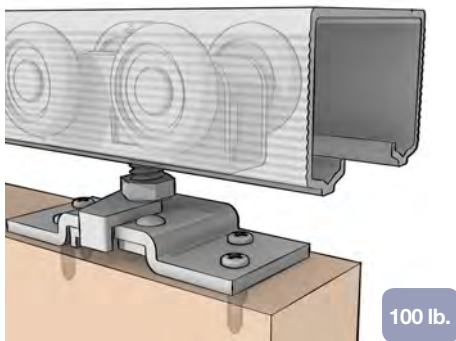


BIF-100A Series

Aluminum Track Door Hardware

Hardware for heavy-weight two and four panel bi-fold doors. The BIF-100A series is ideal for 100 lb bi-fold doors used for a variety of commercial and residential interior applications.

- Door thickness: 1-3/8" to 1-3/4"
- Load rating: Up to 100 lbs per panel (bi-fold)
- Track: Aluminum box track with ribbing
- Carrier: 4-wheel ball-bearing
- Compares to: Johnson 100FD
- Conforms to: ANSI/BHMA A156.14-2007
Grade 1, D8621, D8622, D8623

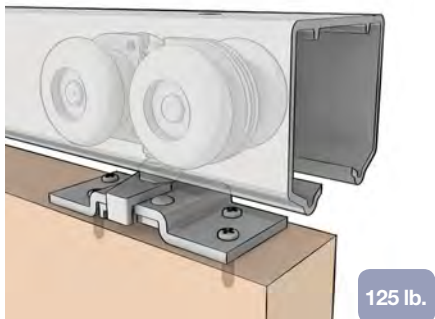


BIF-125A Series

Aluminum Track Door Hardware

Hardware for heavy-weight two and four panel bi-fold doors. The BIF-125A series is ideal for 125 lb bi-fold doors used in a wide range of commercial and residential applications.

- Door thickness: 1-1/8" to 1-3/4"
- Load rating: Up to 125 lbs per panel (bi-fold)
- Track: Aluminum box track
- Carrier: 4-wheel ball-bearing
- Compares to: Hettich/Grant 1260, Johnson 200FD, Stanley BF125N
- Conforms to: ANSI/BHMA A156.14-2007
Grade 1, D8621, D8622, D8623





BY-PASS DOORS

By-Pass doors are the traditional sliding door solution for any size closet, doors between rooms, storage walls, and movable partitions. Today, with homeowners choosing smaller, energy-conscious, sustainable homes, sliding doors are an easy way to maximize usable floor space.

Knappe & Vogt By-Pass Sliding Door Hardware offer complete sets in a wide range of styles and weight classes. From 50lb. doors to 250lb. doors, KV has a by-pass door solution for most interior applications.

Tracks in either steel, or extruded aluminum, are manufactured to exacting specifications and are tested to meet or exceed ANSI and BHMA standards.

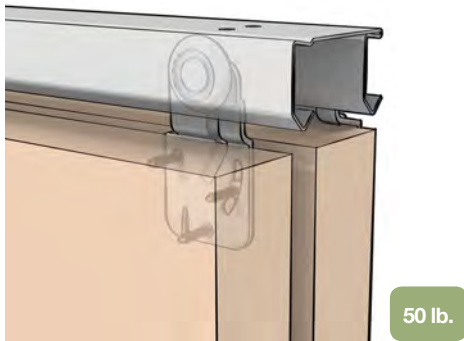


BYP-50S Series

Steel Track Door Hardware

Hardware for light to mid-weight two and three panel by-pass doors. The BYP-50S series is ideal for 50 lb by-pass doors used in residential closets, pantries, and room dividers.

Door thickness:	3/4" to 1-3/8"
Load rating:	Up to 50 lbs per door
Track:	Double J steel track
Carrier:	Single wheel low friction bearing
Compares to:	Hettich/Grant 6034, Johnson 1166, 1138, 113F
Conforms to:	ANSI/BHMA A156.14-2007 Grade 2, D8742

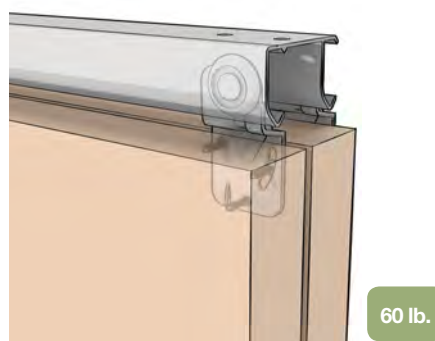


BYP-60A Series

Aluminum Track Door Hardware

Hardware for light to mid-weight two and three panel by-pass doors. The BYP-60A series is ideal for 60 lb by-pass doors used in residential closets, pantries, and room dividers.

Door thickness:	3/4" to 1-3/8"
Load rating:	Up to 60 lbs per door
Track:	Aluminum double-J track
Carrier:	Single wheel low friction bearing
Compares to:	Hettich/Grant 6065, Johnson 2222, Stanley BP60, BPD60, BP75-03
Conforms to:	ANSI/BHMA A156.14-2007 Grade 2, D8742

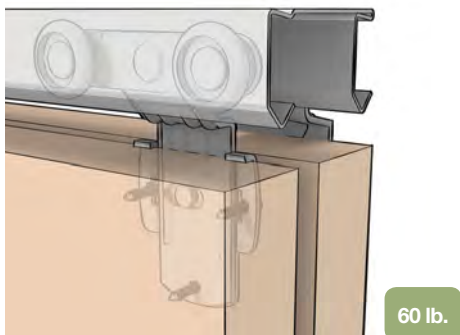


BYP-60S Series

Steel Track Door Hardware

Hardware for light to mid-weight two and three panel by-pass doors. The BYP-60S series is ideal for 60 lb by-pass doors used in residential closets, pantries, and room dividers.

Door thickness:	3/4" to 1-3/8"
Load rating:	Up to 60 lbs per door
Track:	Double-J steel track
Carrier:	Twin wheel low friction bearing
Compares to:	Hettich/Grant 6065, Johnson 1166, 1138, 113F Stanley BP60, BPD60
Conforms to:	ANSI/BHMA A156.14-2007 Grade 2, D8742

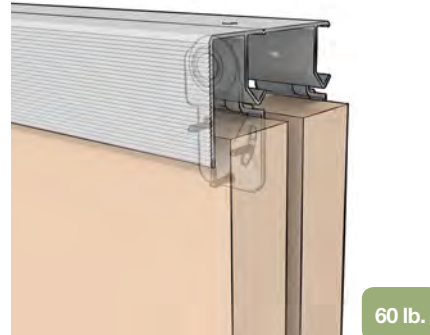


BYP-60AFR Series

Aluminum Ribbed Fascia Door Hardware

Hardware for light to mid-weight two and three panel by-pass doors. The BYP-60AFR series features a 1-3/4" ribbed fascia and single wheel carriers for smooth door movement. Ideal for 60 lb by-pass doors used in residential closets, pantries, and room dividers.

Door thickness:	1-3/8"
Load rating:	Up to 60 lbs per door
Track:	Double J aluminum track with 1-3/4" ribbed fascia
Carrier:	Single wheel low friction bearing
Compares to:	Hettich/Grant 6075, Johnson 2204F, 2200F, Stanley BP75-06
Conforms to:	ANSI/BHMA A156.14-2007 Grade 2, D8752

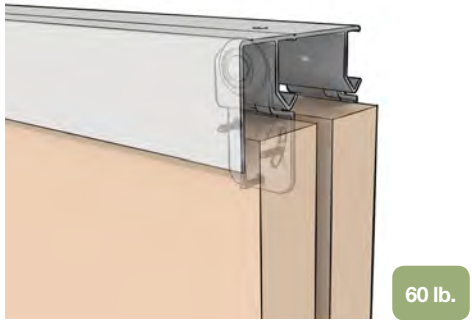


BYP-60AFS Series

Aluminum Smooth Fascia Door Hardware

Hardware for light to mid-weight two and three panel by-pass doors. The BYP-60AFS series features a 1-3/4" smooth fascia and single wheel carriers for smooth door movement. Ideal for 60 lb by-pass doors in residential closets, pantries, and room dividers.

- Door thickness: 1-3/8"
- Load rating: Up to 60 lbs per door
- Track: Double-J aluminum track with 1-3/4" smooth fascia
- Carrier: Single wheel low friction bearing
- Compares to: Hettich/Grant 6065, Johnson 2200F, Stanley BP75-06
- Conforms to: ANSI/BHMA A156.14-2007 Grade 2, D8752

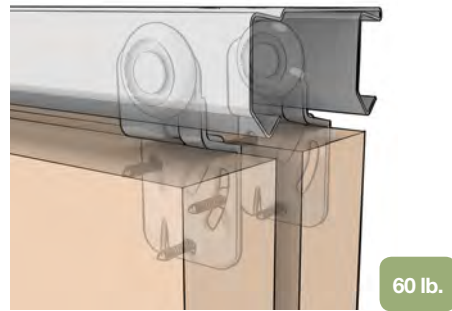


BYP-60SW Series

Steel Wide Track Door Hardware

Hardware for wide-track light to mid-weight two and three panel by-pass doors. The BYP-60SW series features an extra wide track for 1-3/4" thick doors and single wheel carriers for smooth door movement. The extra wide track is ideal for high-quality, thicker 60 lb by-pass doors used in residential custom closets, pantries, and room dividers.

- Door thickness: 1-3/8" to 1-3/4"
- Load rating: Up to 60 lbs per door
- Track: Double-J steel track
- Carrier: Single wheel low friction bearing
- Compares to: Hettich/Grant 6065, Stanley BP75-01
- Conforms to: ANSI/BHMA A156.14-2007 Grade 2, D8742

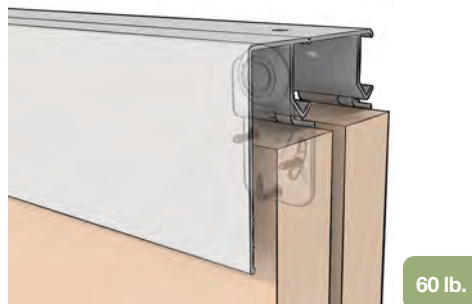


BYP-60AFS3 Series

Aluminum 3" Smooth Fascia Door Hardware

Hardware for light to mid-weight two and three panel by-pass doors. The BYP-60AFS3 series features a 3" smooth fascia and single wheel carriers for smooth door movement. Ideal for 60 lb by-pass doors used in residential closets, pantries, and room dividers.

- Door thickness: 1-3/8"
- Load rating: Up to 60 lbs per door
- Track: Double-J aluminum track with 3" smooth fascia
- Carrier: Single wheel low friction bearing
- Compares to: Hettich/Grant 6065, Johnson 2200F, Stanley BP75-05
- Conforms to: ANSI/BHMA A156.14-2007 Grade 2, D8752

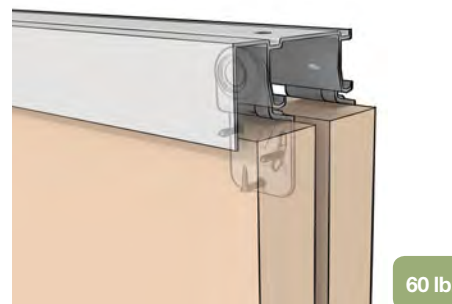


BYP-60AFW Series

Aluminum Wide Fascia Door Hardware

Hardware for wide-track light to mid-weight two and three panel by-pass doors. The BYP-60AFW series features an extra wide track with 1-9/16" fascia and single wheel carriers for smooth door movement. The extra wide track and built in fascia is ideal for thicker 60 lb by-pass doors used in high-quality custom closets, pantries, and room dividers.

- Door thickness: 1-3/8"
- Load rating: Up to 60 lbs per door
- Track: Double-J aluminum track with 1-9/16" smooth fascia
- Carrier: Single wheel low friction bearing
- Compares to: Hettich/Grant 6065, Johnson 2200F, Stanley BP75-03
- Conforms to: ANSI/BHMA A156.14-2007 Grade 2, D8752

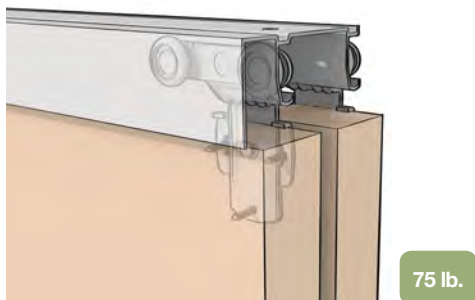


BYP-75AFW Series

Aluminum Wide Fascia Door Hardware

Hardware for wide-track mid-weight two and three panel by-pass doors. The BYP-75AFW series features an extra wide track with 1-9/16" smooth fascia and twin wheel carriers for smooth door movement. The wide track and built-in fascia is ideal for thicker 75 lb by-pass doors used in high quality custom closets, pantries, and room dividers.

Door thickness:	1-3/8"
Load rating:	Up to 75 lbs per door
Track:	Double-J aluminum track with 1-9/16" smooth fascia
Carrier:	Twin wheel low friction bearing
Compares to:	Hettich/Grant 6065, Johnson 2200F, 118F, Stanley BP75-03
Conforms to:	ANSI/BHMA A156.14-2007 Grade 2, D8752

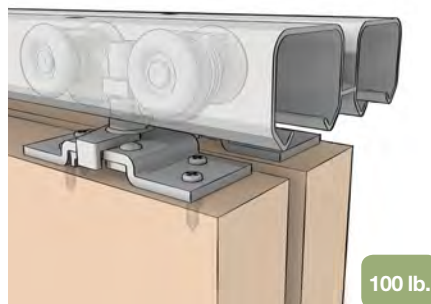


BYP-100A Series

Aluminum Track Door Hardware

Hardware for mid to heavy-weight two and three panel by-pass doors. The BYP-100A series features adjustable door guides and 4-wheel carriers for smooth door movement. Ideal for 100 lb by-pass doors used in commercial and residential interior closets, pantries, and room dividers.

Door thickness:	1-3/8" to 1-3/4"
Load rating:	Up to 100 lbs per door
Track:	Double Aluminum box track
Carrier:	4-wheel ball bearing
Compares to:	Hettich/Grant 6064, Stanley BP75-02
Conforms to:	ANSI/BHMA A156.14-2007 Grade 1, D8741, D8742

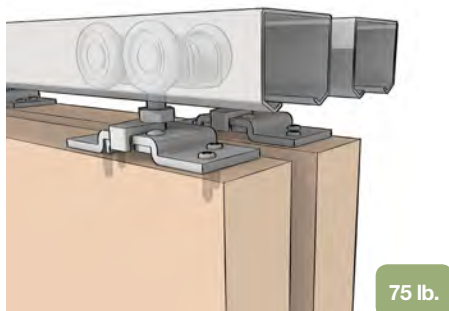


BYP-75S/75A Series

Steel or Aluminum Track Door Hardware

Hardware for mid-weight two panel by-pass doors. The BYP-75S (steel track) and 75A (aluminum track) series features adjustable door guides and 4-wheel carriers for smooth door movement. Ideal for 75 lb by-pass doors used in residential closets, pantries, and room dividers.

Door thickness:	1-3/8" to 1-3/4"
Load rating:	Up to 75 lbs per door
Track:	75S - single steel box track 75A - single aluminum box track
Carrier:	4-wheel low friction bearing
Compares to:	Hettich/Grant 6064, Stanley BP75-01, BP75-02
Conforms to:	ANSI/BHMA A156.14-2007 Grade 2, D8742

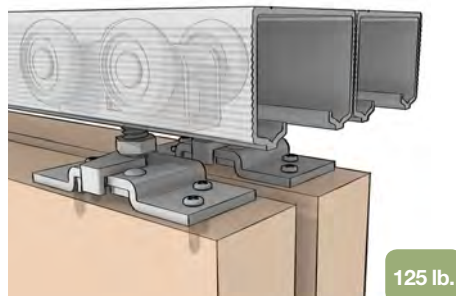


BYP-125A Series

Aluminum Track Door Hardware

Hardware for heavy-weight two panel by-pass doors. The BYP-125A series features adjustable door guides and 4-wheel carriers for smooth door movement. Ideal for 125 lb by-pass doors used in commercial and residential interior closets, pantries, and room dividers.

Door thickness:	1-3/8" to 1-3/4"
Load rating:	Up to 125 lbs per door
Track material:	Single aluminum box track
Carrier:	4-wheel low friction bearing
Compares to:	Johnson 134F, 138F
Conforms to:	ANSI/BHMA A156.14-2007 Grade 1, D8731, D8741, D8742

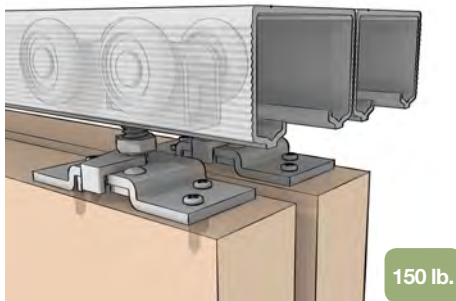


BYP-150A Series

Aluminum Track Door Hardware

Hardware for heavy-weight two panel by-pass doors. The BYP-150A series features adjustable door guides and 4-wheel ball bearing carriers for smooth and quiet door movement. Ideal for 150 lb by-pass doors used in commercial and residential interior closets, pantries, and room dividers.

Door thickness: 1-3/8" to 1-3/4"
 Load rating: Up to 150 lbs per door
 Track: Single Aluminum box track
 Carrier: 4-wheel ball bearing
 Compares to: Hettich/Grant 72-034, 72-118, 72-134, 72-138, 72-222, 72-223, 73-034, 73-134, 73-138, Johnson 111SD, Stanley BP150N
 Conforms to: ANSI/BHMA A156.14-2007 Grade 1, D8731, D8741, D8742

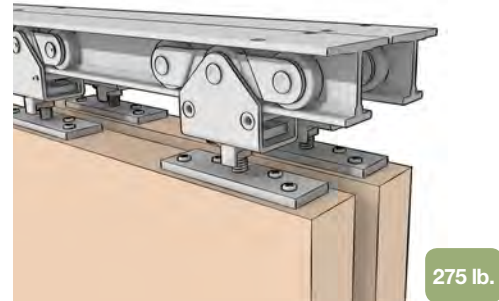


BYP-175I AND 275I Series

Aluminum I-beam Track Door Hardware

Hardware for ultra heavy-weight two panel by-pass doors. The BYP-175I and 275I series features a heavy-duty I-beam track for smooth and sturdy door movement. Ideal for 175-275 lb by-pass doors used in a wide range of commercial and residential interior applications.

Door thickness: 1" to 1-3/4"
 Load rating: BYP-175I - 175 lbs
 BYP-275I - 275 lbs
 Track: Aluminum I-beam track
 Carrier: 2 or 4-wheel ball bearing
 Compares to: Hettich/Grant 72-034, 72-118, 72-134, 72-138, 72-222, 72-223, Johnson 200SD
 Conforms to: 175I - ANSI/BHMA A156.14-2007 Grade 1 D8731, D8741, D8742
 275I - ANSI/BHMA A156.14-2007 Grade 1, D8731, D8741, D8742, D8011, D8012

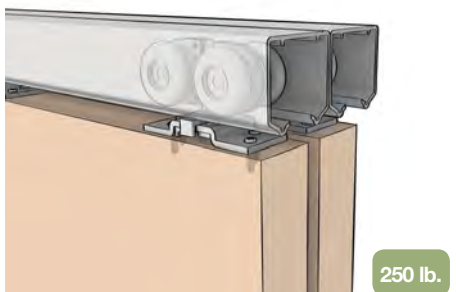


BYP-250A Series

Aluminum Track Door Hardware

Hardware for super heavy-weight two panel by-pass doors. The BYP-250A series features 4-wheel ball bearing carriers and quick release top mount plate for smooth and quiet door movement. Ideal for 250 lb by-pass doors used in a wide range of commercial and residential interior applications.

Door thickness: 1-3/8" to 1-3/4"
 Load rating: Up to 250 lbs per door
 Track: Single aluminum box track
 Carrier: 4-wheel ball bearing
 Compares to: Johnson 100SD, Stanley BP250N
 Conforms to: ANSI/BHMA A156.14-2007 Grade 1 D8731, D8741, D8742, D8011, D8012





POCKET DOORS

Pocket doors are a great way to save space, and add a sophisticated look to interior doors. The zero clearance required for pocket doors makes them particularly smart for smaller rooms. Pocket doors work well for dining rooms, master bathrooms, wardrobes, kitchens, or anywhere floor space is at a premium.

Knape & Vogt Pocket Door Hardware is designed for ease of installation, and long life. The rugged construction, attention to detail, and value, makes pocket doors an option for any home or commercial building.

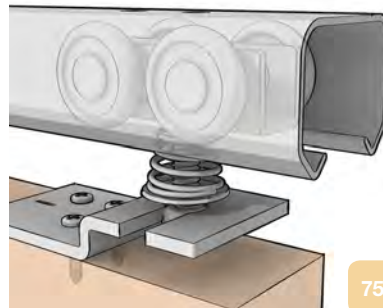


PKT-75S & 75A Series

Steel and Aluminum Track Door Hardware

Hardware for medium-weight single pocket doors. The PKT-75S (steel track) and 75A (aluminum track) series features a 4-wheel spring carrier for smooth gliding movement. Ideal for 75 lb pocket doors used in a variety of residential applications. Bi-parting doors are possible with the optional bi-parting door kit.

Door thickness:	1-1/8" to 1-3/4"
Load rating:	Up to 75 lbs per door
Track:	75S - Steel box track 75A - Aluminum box track
Carrier:	4-wheel low friction bearing
Compares to:	Hettich/Grant 6023, 6053, Johnson 2800, 2850, 111PD, Stanley PD75
Conforms to:	ANSI/BHMA A156.14-2007 Grade 1, D8691, D8692 With bi-parting kit - Grade 1, D8721, D8722

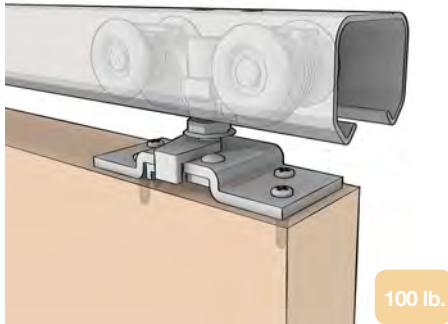


PKT-100A Series

Aluminum Track Door Hardware

Hardware for mid to heavy-weight single pocket doors. The PKT-100A series features a 4-wheel ball bearing carrier for smooth gliding movement with quick release top mount plate. Ideal for 100 lb pocket doors used in a variety of commercial and residential applications. Bi-parting doors are optional with the bi-parting door kit.

Door thickness: 1-1/8" to 1-3/4"
Load rating: Up to 100 lbs per door
Track: Aluminum box track
Carrier: 4-wheel ball bearing
Compares to: Johnson 111PD
Conforms to: ANSI/BHMA A156.14-2007
Grade 1, D8691, D8692
With bi-parting kit - Grade 1, D8721, D8722

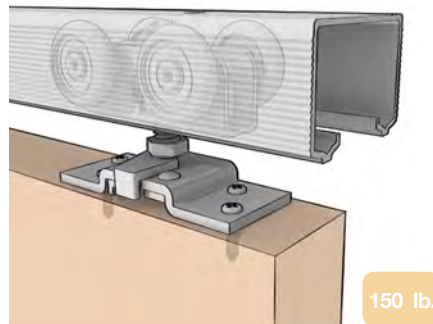


PKT-150A Series

Aluminum Track Door Hardware

Hardware for heavy-weight single pocket doors. The PKT-150A series features a 4-wheel ball bearing carrier with quick release top mount plate for smooth gliding movement. Ideal for 150 lb pocket doors used in a variety of commercial and residential applications. Bi-parting doors are possible with the optional bi-parting door kit.

Door thickness: 1-3/8" to 1-3/4"
Load rating: Up to 150 lbs per door
Track: Aluminum box track
Carrier: 4-wheel ball bearing
Compares to: Hettich/Grant 71-034, 71-111, 71-138, 71-222, 150, 5150, Johnson 111PD, Stanley PD150
Conforms to: ANSI/BHMA A156.14-2007
Grade 1, D8681, D8691, D8692
With bi-parting kit - Grade 1, D8711, D8721, D8722

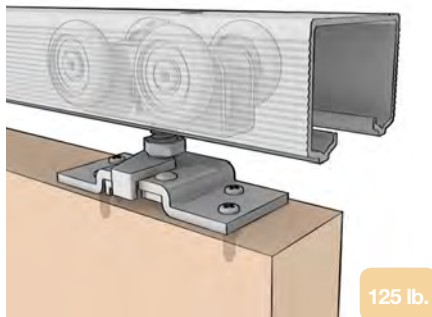


PKT-125A Series

Aluminum Track Door Hardware

Hardware for mid to heavy-weight single pocket doors. The PKT-125A series features a 4-wheel carrier for smooth gliding movement with quick release top mount plate. Ideal for 125 lb pocket doors used in a variety of commercial and residential applications. Bi-parting doors are possible with the optional bi-parting door kit.

Door thickness: 1-3/8" to 1-3/4"
Load rating: Up to 125 lbs per door
Track: Aluminum box track
Carrier: 4-wheel low friction bearing
Compares to: Johnson 100PD
Conforms to: ANSI/BHMA A156.14-2007
Grade 1, D8681, D8691, D8692
With bi-parting kit - Grade 1, D8711, D8721, D8722

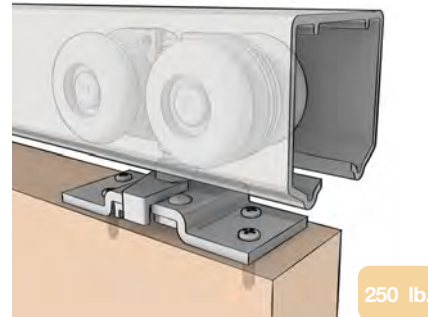


PKT-250A Series

Aluminum Track Door Hardware

Hardware for ultra heavy-weight single pocket doors. The PKT-250A series features a 4-wheel ball bearing carrier and quick release top mount plate for smooth and sturdy gliding movement. Ideal for 250 lb pocket doors used in a variety of commercial and residential applications. Bi-parting doors are possible with the optional bi-parting door kit.

Door thickness: 1-3/8" to 1-3/4"
Load rating: Up to 250 lbs per door
Track: Aluminum box track
Carrier: 4-wheel ball bearing
Compares to: Hettich/Grant 1210, Johnson 100PD, 200PD
Conforms to: ANSI/BHMA A156.14-2007
Grade 1, D8681, D8691, D8692
With bi-parting kit - Grade 1, D8711, D8721, D8722



POCKET FRAMES

Pocket Frame Kits make framing for pocket doors a snap. In addition to the pocket door track and carrier hardware, the kits include warp-proof, steel reinforced split studs, header nailing board, and doorway-end brackets, everything an installer needs to build perfectly aligned pocket door frames that will provide a lifetime of worry-free performance.

Knape & Vogt Pocket Frame Kits offer a complete construction solution for the installation of pocket doors.

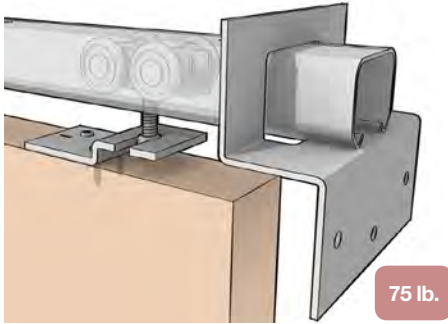


PKF-75 Series

Pocket Frame Hardware for 75 lb Pocket Doors

Durable pocket frame kit for medium-weight single pocket doors, 6'8" with traditional 2" x 4" framing. The PKF-75S features 4-wheel carriers with top mount plates and sturdy track-end and doorway-end brackets. Ideal for 75 lb pocket doors used in a variety of residential applications. Bi-parting doors are possible with the optional bi-parting door kit.

Door thickness: 1-3/8" to 1-3/4"
Door Height: 6'8"
Load rating: Up to 75 lbs per door
Track: Steel box track
Carrier: 4-wheel low friction bearing
Compares to: Johnson 1500
Conforms to: ANSI/BHMA A156.14-2007
Grade 2, D8672
With bi-parting kit - Grade 1, D8721, D8722

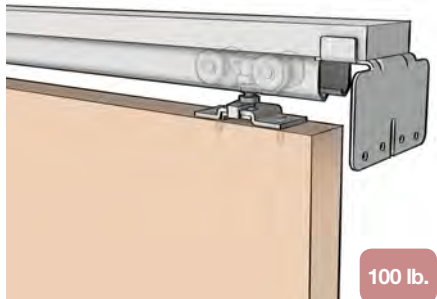


PKF-100 Series

Pocket Frame Hardware for 100 lb Pocket Doors

Durable pocket frame kit for mid to heavy-weight single pocket doors with 6'8", 7', or 8' heights. The PKF-100 series features 4-wheel carriers with quick release top mount plates and sturdy track-end and doorway-end brackets. Ideal for 100 lb pocket doors used in a variety of residential applications. Bi-parting doors are possible with the optional bi-parting door kit.

Door thickness: 1-3/8" to 1-3/4"
Door height: 6'8", 7', 8'
Load rating: Up to 100 lbs per door
Track: Aluminum box track
Carrier: 4-wheel ball bearing
Compares to: Johnson 1500
Conforms to: ANSI/BHMA A156.14-2007
Grade 1, D8671, D8672
With bi-parting kit - Grade 1, D8721, D8722

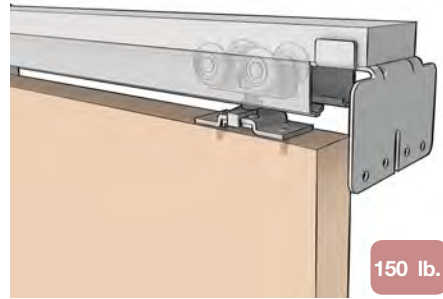


PKF-150 Series

Pocket Frame Hardware for 150 lb Pocket Doors

Durable pocket frame kit for heavy-weight single pocket doors with 6'8", 7', or 8' heights. The PKF-150 series features 4-wheel ball bearing carriers with quick release top mount plates and sturdy track-end and doorway-end brackets. Ideal for 150 lb pocket doors used in a variety of commercial and residential applications. Bi-parting doors are possible with the optional bi-parting door kit.

Door thickness: 1-3/8" to 1-3/4"
Door height: 6'8", 7', 8'
Load rating: Up to 150 lbs per panel (bi-fold)
Track: Aluminum box track
Carrier: 4-wheel ball bearing
Compares to: Johnson 1500, Stanley PDF150N
Conforms to: ANSI/BHMA A156.14-2007
Grade 1, D8671, D8672
With bi-parting kit - Grade 1, D8711, D8721, D8722

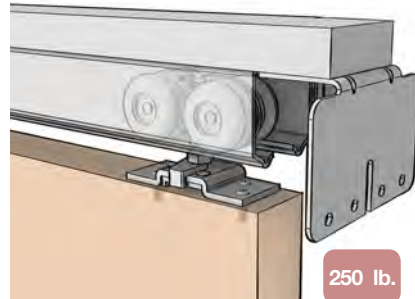


PKF-250A Series

Pocket Frame Hardware for 250 lb Pocket Doors

Durable pocket frame kit for ultra heavy-weight single pocket doors, 8' tall with 2" x 4" framing. The PKF-250A features 4-wheel carriers with quick release top mount plates and sturdy pocket-end and doorway-end brackets. Ideal for 250 lb pocket doors used in a variety of commercial and residential applications. Bi-parting doors are possible with the optional bi-parting door kit.

Door thickness: 1-3/8" to 1-3/4"
Door height: 8'
Load rating: Up to 250 lbs per panel
Track: Aluminum box track
Carrier: 4-wheel ball bearing
Compares to: Johnson 1560, Stanley PDF250N
Conforms to: ANSI/BHMA A156.14-2007
Grade 1, D8671, D8672
With bi-parting kit - Grade 1, D8711, D8721, D8722



		BI-FOLD							BY-PASS																				
Carrier	Min. Door Thickness	Type	Non-Fascia	Fascia	Aluminum	Steel	Track	Heavy Duty	Standard			Light			BYP-50S	BYP-60S	BYP-60A	BYP-60AFR	BYP-60AFS	BYP-60AFS3	BYP-60SW	BYP-60AFW	BYP-75AFW	BYP-75S	BYP-75A	BYP-100A	BYP-125A		
									125 lb	150 lb	175 lb	250 lb	275 lb	60 lb														75 lb	100 lb
Top pivot guide	3/4"	Box	•	•	•	•	8001						•															BIF-20S	
Top pivot guide	7/8"	Double J	•	•	•	•	9001																					BIF-30S	
1606-QR 4-wheel BB	1"	I-Beam	•	•	•	•	1599																					BIF-50S	
1606-QR 4-wheel BB	1-1/8"		•	•	•	•	1601																					BIF-50A	
2004 4-wheel	1-3/8"		•	•	•	•	2001																					BIF-75A	
2004-BB 4-wheel	1-3/4"		•	•	•	•	2001																					BIF-100A	
1820 4-wheel BB			•	•	•	•	1801																					BIF-125A	
0200 Single wheel			•	•	•	•	3800																						BYP-50S
0400 Twin wheel			•	•	•	•	3800																						BYP-60S
7200 Single wheel			•	•	•	•	7810																						BYP-60A
7200-B Single wheel			•	•	•	•	7820-R																						BYP-60AFR
7200-B Single wheel			•	•	•	•	7820																						BYP-60AFS
7200-B Single wheel			•	•	•	•	7830																						BYP-60AFS3
7200-B Single wheel			•	•	•	•	7840																						BYP-60SW
0200-B Single wheel			•	•	•	•	5950																						BYP-60AFW
0400-BTW Twin wheel			•	•	•	•	5950																						BYP-75AFW
1572-QR 4-wheel			•	•	•	•	1599																						BYP-75S
1572-QR 4-wheel			•	•	•	•	1602																						BYP-75A
1606-QR 4-wheel BB			•	•	•	•	1602																						BYP-100A
2004 4-wheel			•	•	•	•	2001																						BYP-125A

						POCKET				POCKET FRAME																												
Carrier	Min. Door Thickness	Type	Non-Fascia	Fascia	Aluminum	Steel	Track	Heavy Duty	Standard	Light	BYP-150A	BYP-175I	BYP-250A	BYP-275I	PKT-75S	PKT-75A	PKT-100A	PKT-125A	PKT-150A	PKT-250A	PKF-75S	PKF-100A	PKF-100A7	PKF-100A8	PKF-100A6W	PKF-150A	PKF-150A7	PKF-150A8	PKF-150A6W	PKF-250A								
																															Box	Double J	I-Beam	3/4"	7/8"	1"	1-1/8"	1-3/8"
2004-BB 4-wheel	•	•	•	•	•	•	2001	•																														
8542-QR 4-wheel BB	•	•	•	•	•	•	1901																															
1820 4-wheel BB	•	•	•	•	•	•	1801																															
8544-QR 4-wheel BB	•	•	•	•	•	•	1901																															
1582 4-wheel	•	•	•	•	•	•	1599								•																							
1582 4-wheel	•	•	•	•	•	•	1601K								•																							
1606-QR 4-wheel BB	•	•	•	•	•	•	1601K										•																					
2004 4-wheel	•	•	•	•	•	•	2001K																															
2004-BB 4-wheel	•	•	•	•	•	•	2001K																															
1820 4-wheel BB	•	•	•	•	•	•	1801K																															
1572-N 4-wheel	•	•	•	•	•	•	1599								•																							
1606-QR 4-wheel BB	•	•	•	•	•	•	1601K																															
1606-QR 4-wheel BB	•	•	•	•	•	•	1601K																															
1606-QR 4-wheel BB	•	•	•	•	•	•	1601K																															
1606-QR 4-wheel BB	•	•	•	•	•	•	1601K																															
2004-BB 4-wheel	•	•	•	•	•	•	2001K																															
2004-BB 4-wheel	•	•	•	•	•	•	2001K																															
2004-BB 4-wheel	•	•	•	•	•	•	2001K																															
2004-BB 4-wheel	•	•	•	•	•	•	2001K																															
1820 4-wheel BB	•	•	•	•	•	•	1801K																															





KNAPE & VOGT

2700 Oak Industrial Dr. NE
Grand Rapids, MI 49505-6026 USA
1.800.253.1561 | 616.459.3311
Fax: 877.636.3290
www.kv.com