

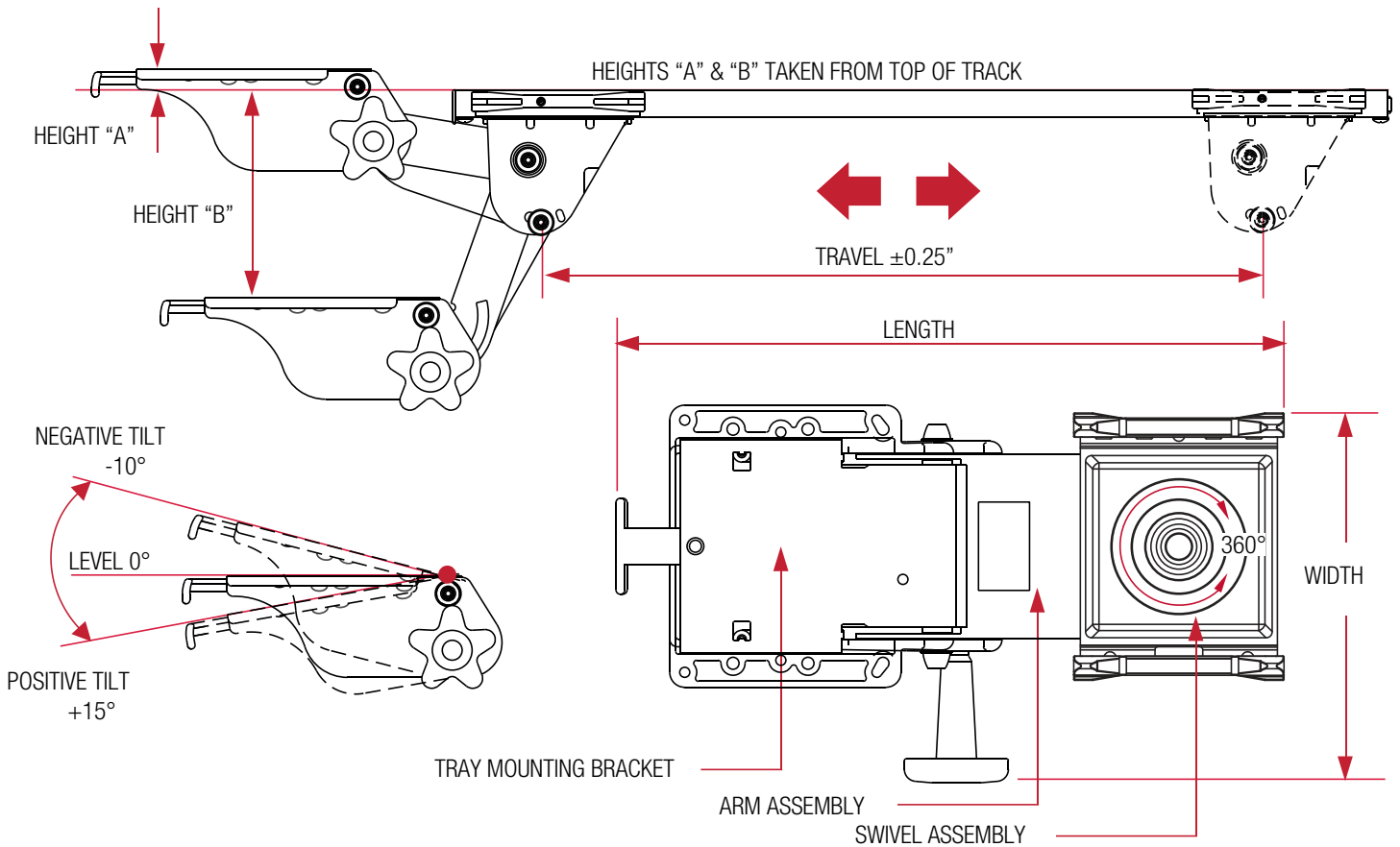


Classic Arm

The 5900 Series keyboard arms are extremely rugged, built to withstand the kind of heavy workouts associated with data entry professionals, commercial users and students. All 5900 arms fully articulate with both independent height and tilt adjustment, allowing users to adjust keyboard in a variety of comfortable positions during the work day. The 5900 Series arms are equipped with a plastic glide storage track.

5900 series

| Features | Benefits |
|---------------------------------------|---|
| Stable, durable design | Ideal for heavy typing use |
| Knob and lever control releases | Locks the arm during height adjustment |
| Tilt adjustment latch | Provides adjustment of +15° / -10° tilt |
| Adjustable extension bracket | Use for corner applications |
| Meets or exceeds ANSI/BIFMA standards | Quality assured manufacturing |
| 360° swivel | User can move keyboard freely from side to side |
| Stores on glide track | Frees up space in front of desk |

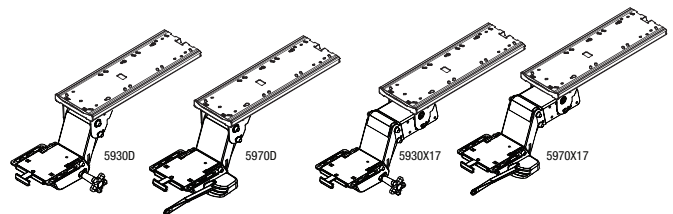


Classic Arm 5900 series

Ancillary Products:

- Classic Arm is an ideal complement to the Economy clamp tray and mouse tray
- Compatible with most Knape & Vogt Waterloo keyboard trays
- Use with Knape & Vogt Waterloo CPU holders
- For flat panel displays, specify the Concerto flat panel support system

| Model | (A) Height (B) | Width | Length | Travel | Track Size | Track Style | Weight |
|---------|----------------|-------|--------|--------|------------|---------------|---------|
| 5930D | 0.5" 5.3" | 7.9" | 13.9" | 11.8" | 17.00" | Plastic glide | 7.9 lbs |
| 5930D21 | 0.5" 5.3" | 7.9" | 13.9" | 15.8" | 21.75" | Plastic glide | 8.9 lbs |
| 5930X17 | 0.5" 5.3" | 7.9" | 13.9" | N/A | 17.00" | Plastic glide | 8.2 lbs |
| 5930X21 | 0.5" 5.3" | 7.9" | 13.9" | N/A | 21.00" | Plastic glide | 9.0 lbs |
| 5970D | 0.5" 5.5" | 7.2" | 15.7" | 12.0" | 17.00" | Plastic glide | 8.1 lbs |
| 5970D21 | 0.5" 5.5" | 7.2" | 15.7" | 16.8" | 21.75" | Plastic glide | 8.9 lbs |
| 5970X17 | 0.5" 5.5" | 7.2" | 15.7" | N/A | 17.00" | Plastic glide | 8.2 lbs |
| 5970X21 | 0.5" 5.5" | 7.2" | 15.7" | N/A | 21.00" | Plastic glide | 9.0 lbs |
| 5973D | 0.5" 5.5" | 7.2" | 15.7" | 12.0" | 17.00" | Plastic glide | 9.0 lbs |



Finish: Black

Code Compliance: Exceeds ANSI/BIFMA standards

Also available in extended and sit/stand lengths.

Notes: 1. Weight = packaged shipping weight per unit. 2. Specifications are subject to change without notice.



2700 Oak Industrial Dr. NE
Grand Rapids, MI 49505-6026 USA
1.800.253.1561 | 616.459.3311
Fax: 877.636.3290
www.kv.com

This and other KV literature is available for download at www.kv.com > Resource Library

Knape & Vogt reserves the right to change product specifications at any time without notice and without incurring responsibility for existing units.
©2016 Knape & Vogt. KV and the KV logo are trademarks of Knape & Vogt.

OL2465/0117