

7820S

## Concerto

Ideal for heavy monitors and for ultrawide screens, this economical dual screen, double extension monitor arms give the user the ability to quickly find the ultimate ergonomic position for the flat panel displays at an affordable price.

### 7800 series

#### Features & Benefits

Tool-less clamp installation makes assembly quick and easy

Patented Quick-Connect adapter allows fast, simple assembly

Includes Allen keys for tilt adjustment

Double Extension models allow 20" of back and forth movement. Arm folds back to post for more desk space

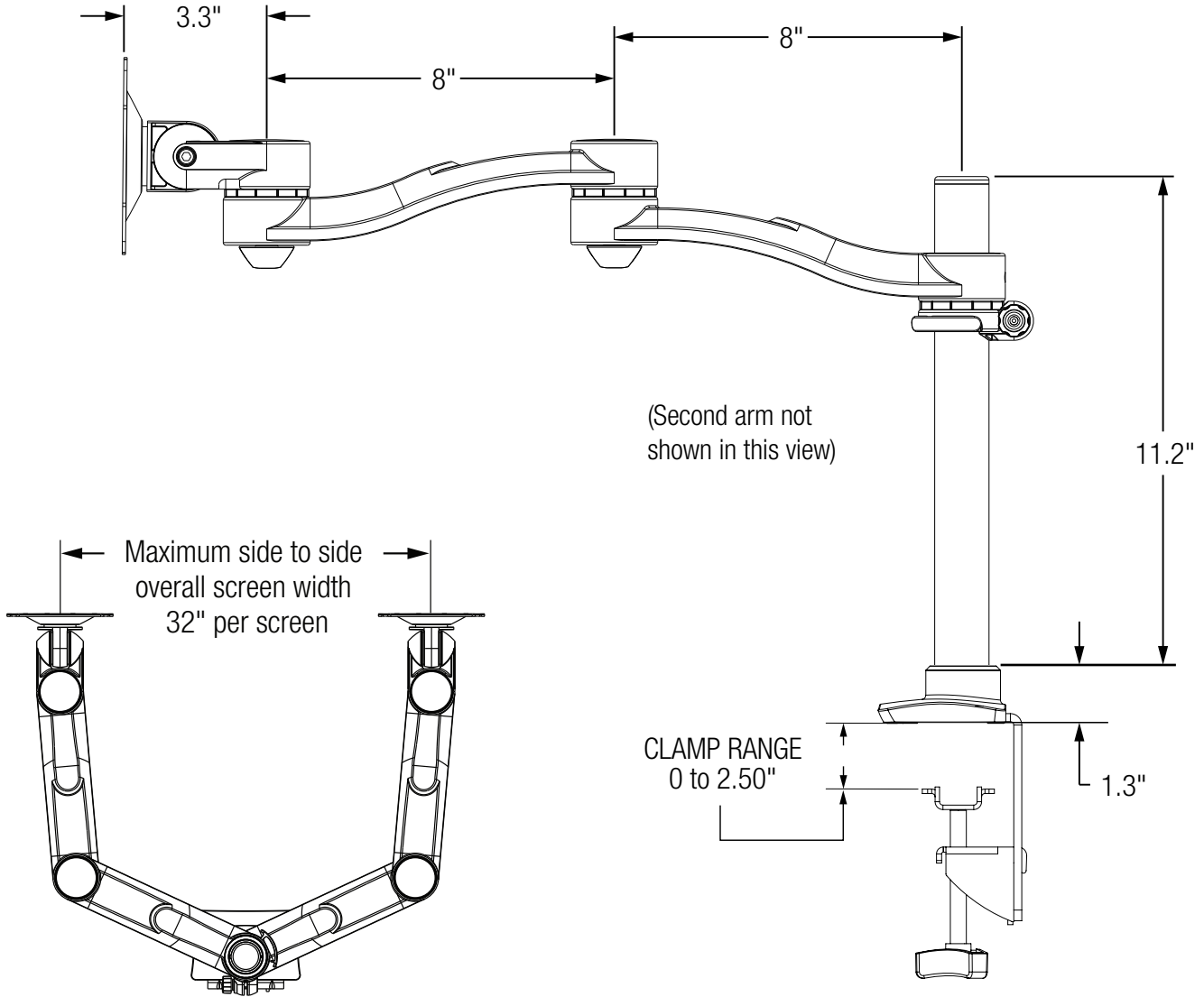
Load capacity of 20 lbs.

Clamp and/or grommet mount hardware included

Monitor mounting bracket, contains both 75mm and 100mm hole patterns to comply with VESA standards

Pole allows a static height adjustment range of 11"

Maximum side to side overall screen width of 32"



### Concerto Monitor Arm 7800 series

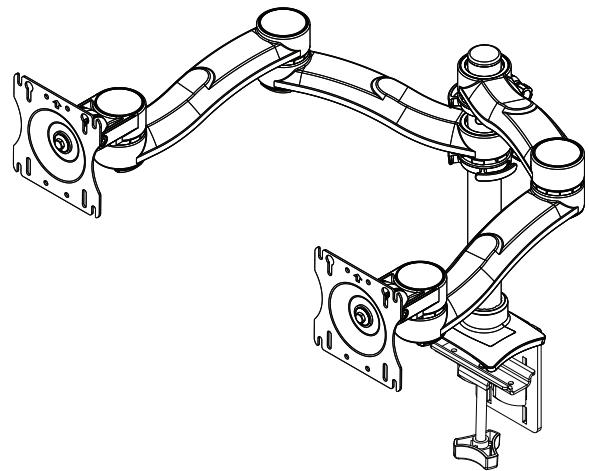
Model	Description
7820S	Dual-Screen, two Double-Extension Arms per screen

### Color Options

To specify color, other than silver, replace the "S" in the part number with:

**B** = Black **W** = White **P** = Polished

For example, to get a "7820S" in white, order 7820W.



Notes: 1. Weight = packaged shipping weight per unit. 2. Specifications are subject to change without notice.



2700 Oak Industrial Dr. NE  
 Grand Rapids, MI 49505-6026 USA  
 1.800.253.1561 | 616.459.3311  
 Fax: 877.636.3290  
[www.kv.com](http://www.kv.com)

This and other KV literature is available for download at [www.kv.com](http://www.kv.com) > Resource Library

Knap & Vogt reserves the right to change product specifications at any time without notice and without incurring responsibility for existing units.  
 ©2018 Knap & Vogt. KV and the KV logo are trademarks of Knap & Vogt.