



7820SHD12

Concerto Dual Hub

Flexibility and modularity reach new heights with the Dual Mounting Hub from Knappe & Vogt Waterloo. The monitor arm hub provides an ideal solution for multiple monitor configurations. Discover the unlimited possibilities with the 7820SHD12.

7800 series

Features & Benefits

The Hub has a locking device to allow it to be firmly clamped to the pole, as well as preventing the hub from rotating, thereby eliminating any play from the monitors, while still allowing the monitor to tilt and swivel

Hub provides the end-user with the ability to mount two (39" max. width)

Modularity and scalability make this product one of the most adaptable monitor arm solutions available. Monitor arms can be added easily without using all new equipment or discarding parts.

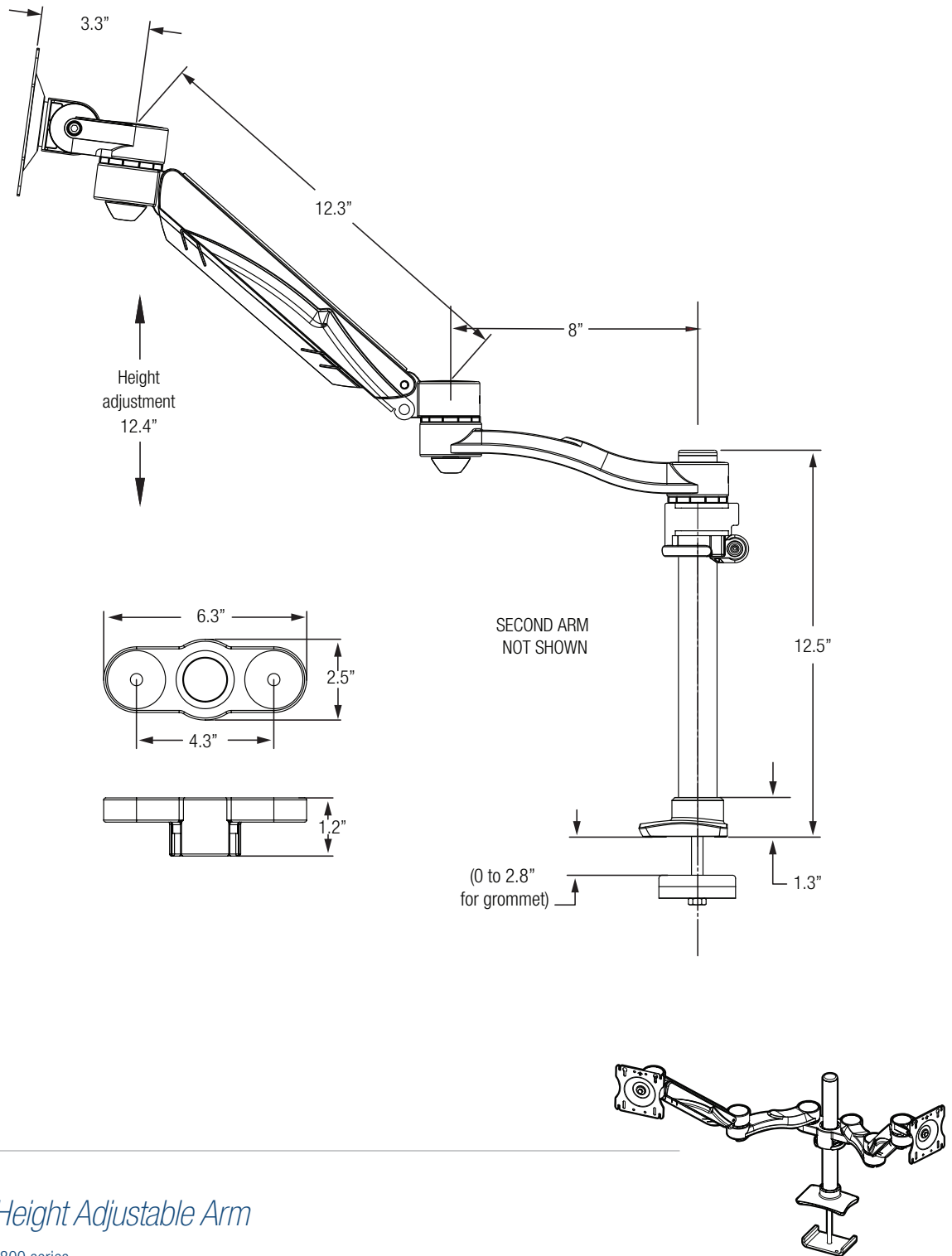
The Concerto supports a 20 lbs load capacity (per screen)

Cable manager keeps all cables organized

Grommet mount hardware included

Grommet adjustable to fit most desks and work surfaces

Monitor mounting bracket, with Quick Connect, contains 75mm and 100mm hole patterns to comply with VESA standards



Concerto with Height Adjustable Arm and Dual Hub 7800 series

Model	Description
7820SHD12	Dual-Screen, two Double-Extension Arms, one height adjustable and one fixed, assembled together with Dual Hub

Colour Options

To specify colour, other than silver, replace the "S" in the part number with:

B = Black **W** = White

For example, to get a "7820SHD12" in white, order 7820WHD12.



Note: Specifications are subject to change without notice.



2700 Oak Industrial Dr. NE
 Grand Rapids, MI 49505-6026 USA
 1.800.253.1561 | 616.459.3311
 Fax: 877.636.3290
www.kv.com

This and other KV literature is available for download at www.kv.com > Resource Library

Knap & Vogt reserves the right to change product specifications at any time without notice and without incurring responsibility for existing units.
 ©2017 Knap & Vogt. KV and the KV logo are trademarks of Knap & Vogt.