



7840S

## *Concerto*

The Concerto is a stunning take on an already brilliant innovation from Knappe & Vogt Waterloo. One part workhorse, one part museum piece, this new monitor arm continues in the fine tradition of its predecessor and builds on a sterling reputation.

### *7800 series*

#### Features & Benefits

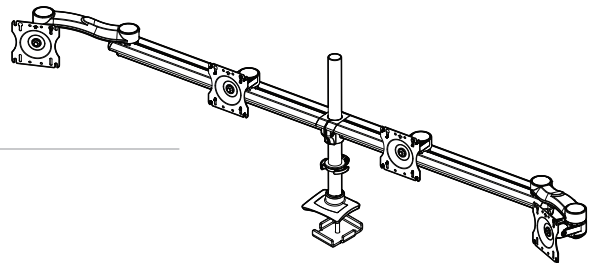
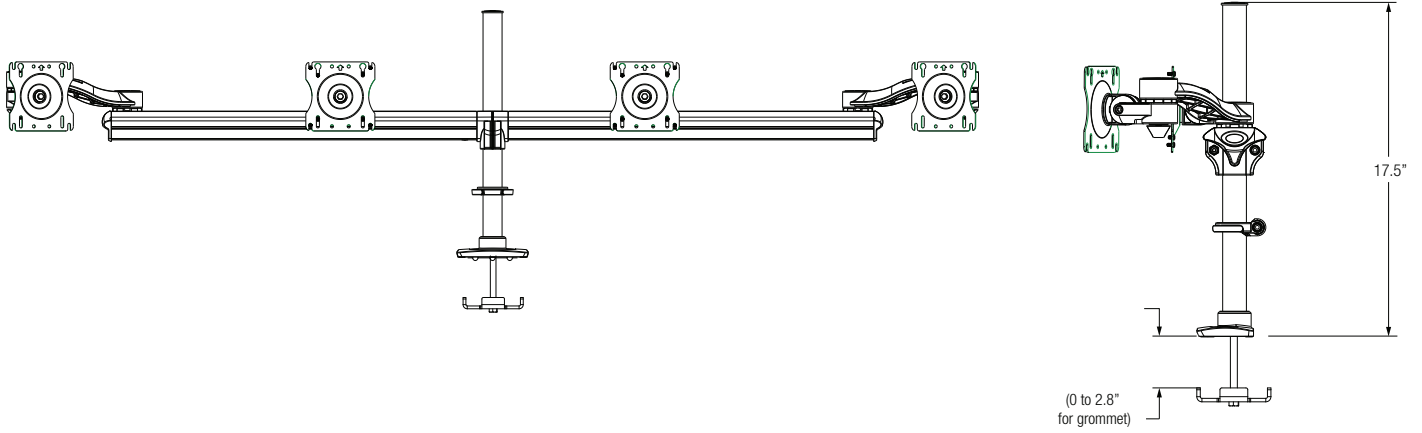
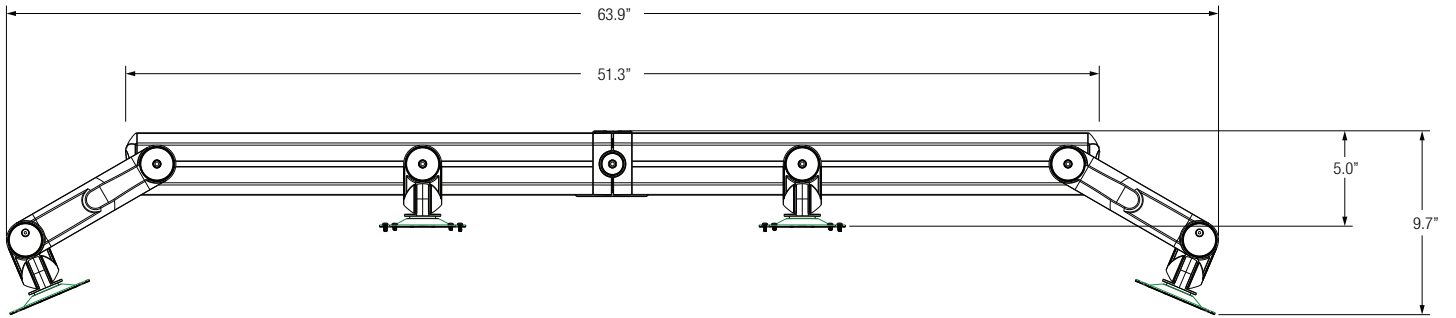
The Concerto supports a 20 lbs load capacity (per screen)

Grommet adjustable to fit most desks and work surfaces

Monitor mounting bracket, with Quick Connect, contains 75mm and 100mm hole patterns to comply with VESA standards

Pole allows manual height adjustment through 16" range

Allows for a maximum 20 lbs monitor per arm and a maximum 21.5" screen width



*Concerto Beam Mount* 7800 series

Model	Description
7840S	Parabolic Quad-Screen Beam-Mount (four screens, c/w two extension arms)



Note: Specifications are subject to change without notice.



2700 Oak Industrial Dr. NE  
 Grand Rapids, MI 49505-6026 USA  
 1.800.253.1561 | 616.459.3311  
 Fax: 877.636.3290  
[www.kv.com](http://www.kv.com)

This and other KV literature is available for download at [www.kv.com](http://www.kv.com) > Resource Library

Knap & Vogt reserves the right to change product specifications at any time without notice and without incurring responsibility for existing units.  
 ©2019 Knap & Vogt. KV and the KV logo are trademarks of Knap & Vogt.