



Concerto

Ideal for short benches and workstations, it provides support for 4 monitors (2 on 2) without encroaching onto the desk, saving valuable space.

7900 series

Features & Benefits

Ideal for short desks, saves space

Load capacity of 20 lbs (per screen)

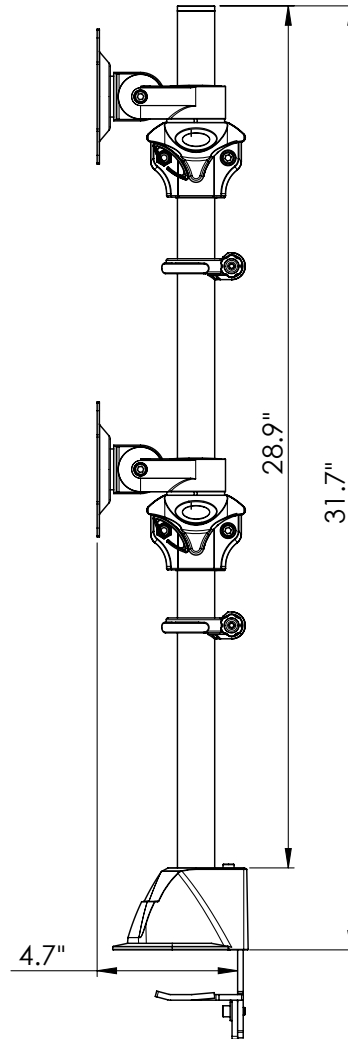
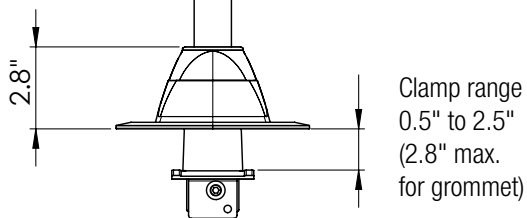
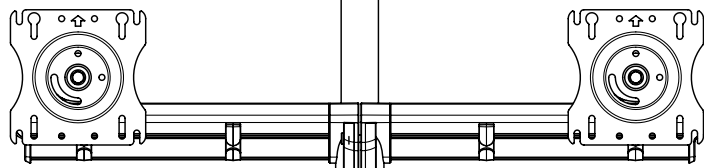
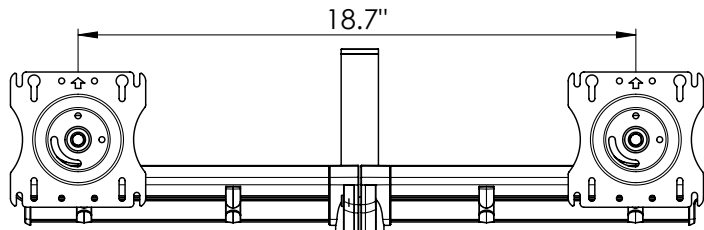
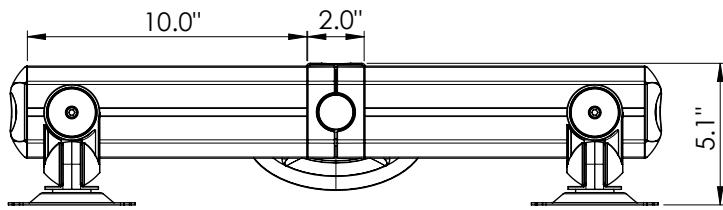
Supports 4 screens (2 on 2) with a maximum overall side to side width of 21" (per screen)

Cable management to keep all cables organized

Clamp and/or Grommet mount hardware included

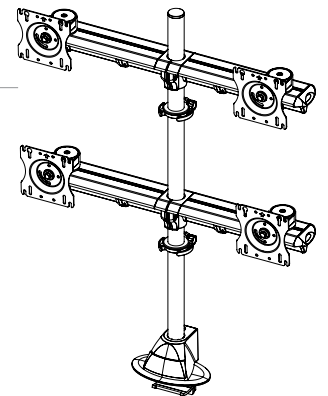
Monitor mounting bracket, with Quick Connect, contains 75mm and 100mm hole patterns to comply with VESA standards

Finish - Silver



Concerto Beam Mount 7900 series

Model	Description
7945S	Four Screen Beam Mount (no extension arms), two on two, includes four Quick Connect Adapter Brackets, four 10" beam segments, 30" pole. Max 21" side to side screen width.



Note: Specifications are subject to change without notice.



2700 Oak Industrial Dr. NE
Grand Rapids, MI 49505-6026 USA
1.800.253.1561 | 616.459.3311
Fax: 877.636.3290
www.kv.com

This and other KV literature is available for download at www.kv.com > Resource Library

Knap & Vogt reserves the right to change product specifications at any time without notice and without incurring responsibility for existing units.
©2018 Knap & Vogt. KV and the KV logo are trademarks of Knap & Vogt.