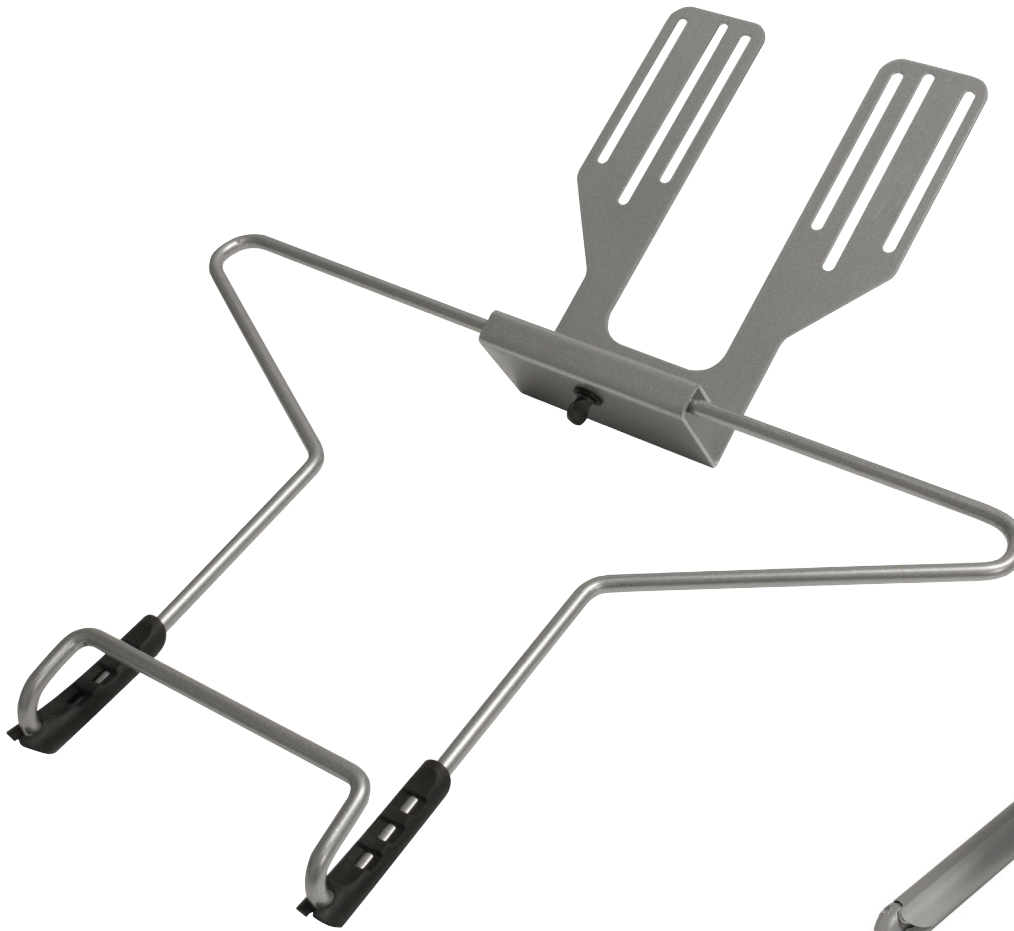




**KNAPE  
& VOGT®**



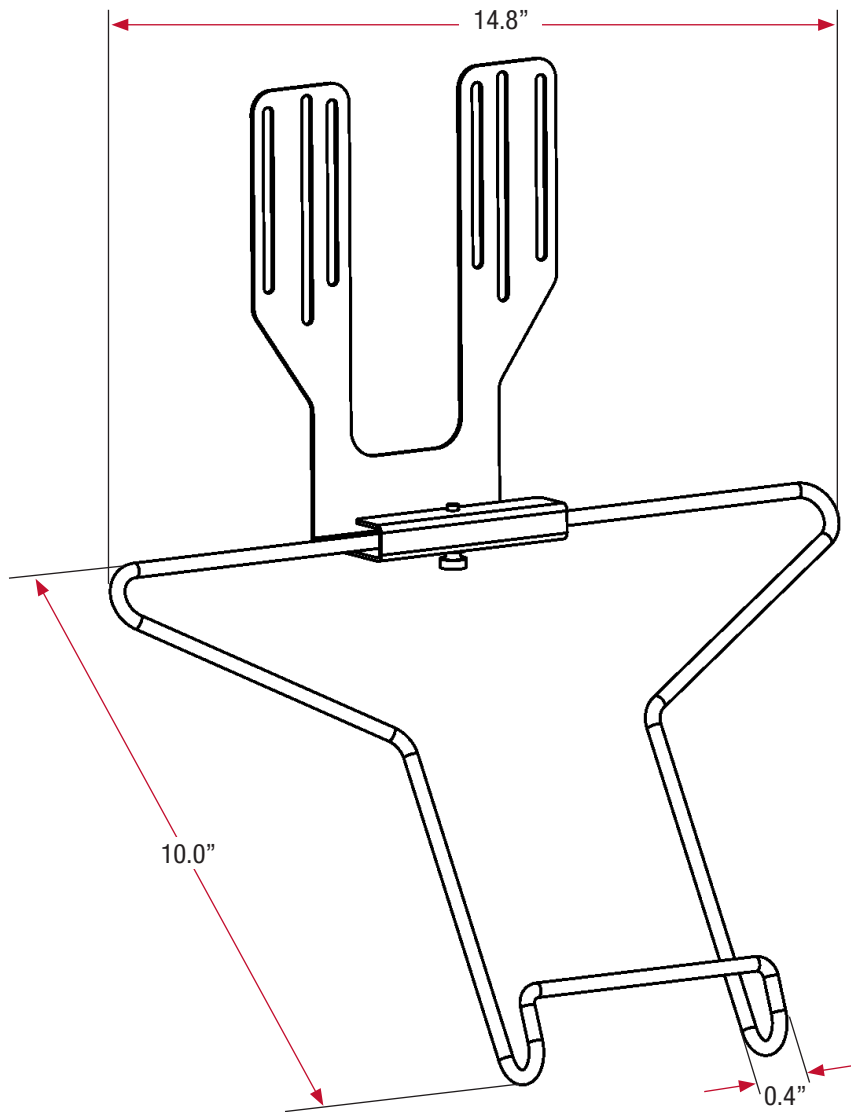
7902S

## *Concerto* *Document Holder*

A natural accessory to the Concerto, Xtend or Tempo product lines, the document/tablet holder is developed to place the document or tablet at the optimal ergonomic viewing position. The fully adjustable holder is designed to minimize eye and neck strain resulting in user comfort and increased productivity.

### *7902S series*

Features	Benefits
Supports the document or tablet directly under the monitor	Ergonomically correct viewing position of documents for documents and tablets
Finger Adjustable	Easy adjustment to ensure a comfortable viewing angle
Mounts between the monitor and monitor arm VESA plate	Fits both VESA 75mm and 100mm flat panels
Supports document of various sizes and tablets with a minimum width of 6.75"	Helps keep work surface clear
Swing motion	Stores out of the way when not in use
Black or silver powder paint finishes available	Match your aesthetic look

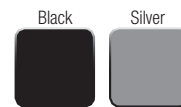
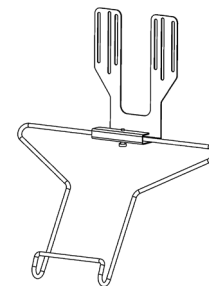


## Concerto Document Holder 7902 series

### Ancillary Products:

- Use with Knape & Vogt Waterloo CPU holders & keyboard arms
- For flat panel displays, specify the Concerto, Xtend or Tempo flat panel support systems

Model	Height	Width	Depth	Color	Weight
7902S	10.0"	14.8"	0.4"	Silver	2.2 lbs
7902B	10.0"	14.8"	0.4"	Black	2.2 lbs



Finish: Black & Silver

Notes: 1. Weight = packaged shipping weight per unit. 2. Specifications are subject to change without notice.



2700 Oak Industrial Dr. NE  
 Grand Rapids, MI 49505-6026 USA  
 1.800.253.1561 | 616.459.3311  
 Fax: 877.636.3290  
[www.kv.com](http://www.kv.com)

This and other KV literature is available for download at [www.kv.com](http://www.kv.com) > Resource Library

Knape & Vogt reserves the right to change product specifications at any time without notice and without incurring responsibility for existing units.  
 ©2016 Knape & Vogt. KV and the KV logo are trademarks of Knape & Vogt.

OL2499/0117