



**KNAPE  
& VOGT®**



6463A79



6463A81

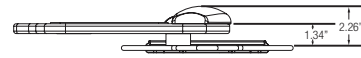
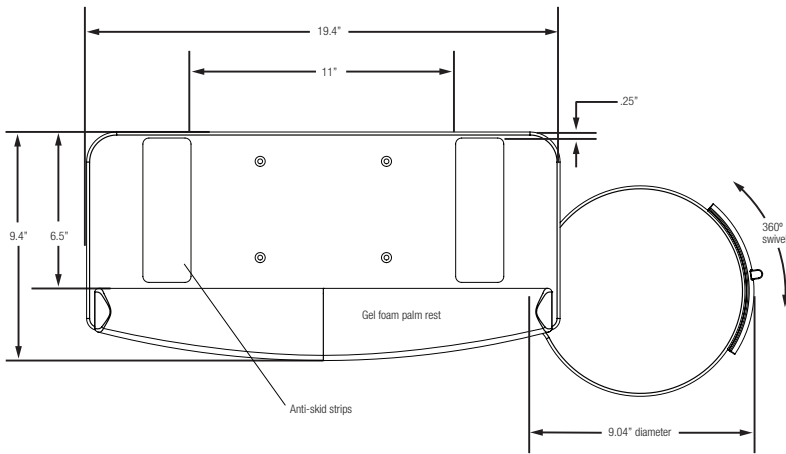
## *HDPE Mini Keyboard Tray*

This small profile tray was developed to improve storability and ergonomic comfort. Its trimmed down design makes it perfect for height adjustable tables and benching systems where space is at a premium.

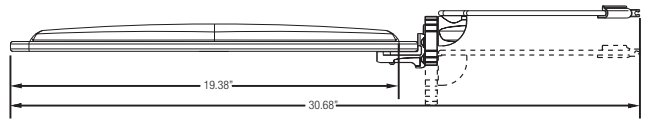
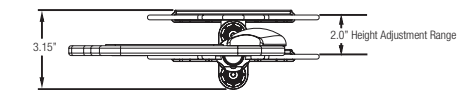
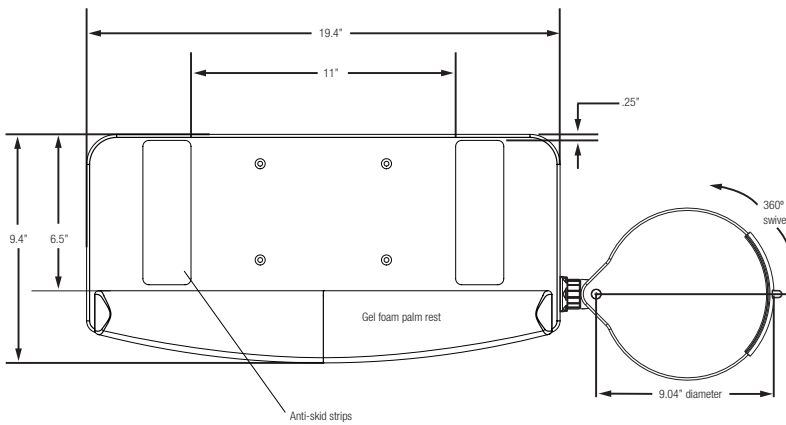
### *High Density Polyethylene*

| Features  | Benefits   |
|---|--|
| Made from 1/2" thick HDPE (High Density Polyethylene) with a textured finish  | Sturdy design which meets "Green" product requirements                               |
| 19.38" keyboard trays comes with mouse guard including cable manager          | Prevents mouse from slipping off tray  |
| Compact profile   | Allows for storability on shorter track and allows user to sit closer to workstation |
| Anti-skid strips on keyboard tray   | Strips prevent keyboard slippage   |
| Universal mounting pattern  | Attaches to Knappe & Vogt Waterloo keyboard arms                                     |
| Plug-in, non-inserted, gel foam palm rest                                     | Offers gentle support, easy-to-clean wrinkle finish and wear resistant material      |
| Wherever possible, recycled materials are used to manufacture components      | Entire keyboard tray is fully recyclable Environmentally friendly                    |
| Available with swivel only mouse surface or height adjustable mouse mechanism | Allows for left and right mounting flexibility                                       |

6463A79



6463A81

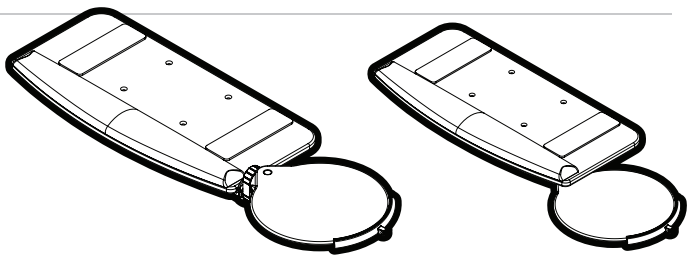


## HDPE Mini Keyboard Tray 6460 series

### Ancillary Products:

- Ideal complement for Staccato and Tenor arms
- Use with Knape & Vogt Waterloo CPU holders
- For flat panel displays, specify the Concerto flat panel support system

| Model   | Keyboard Width | Depth | Material | Colour | Mouse Tray                    | Palm Rest |
|---------|----------------|-------|----------|--------|-------------------------------|-----------|
| 6463A79 | 19.4"          | 9.4"  | HDPE     | Black  | Swivel Only                   | included  |
| 6463A81 | 19.4"          | 9.4"  | HDPE     | Black  | Height adjustable with swivel | included  |



Black High Density Polyethylene



Notes: 1. Specifications are subject to change without notice.



2700 Oak Industrial Dr. NE  
 Grand Rapids, MI 49505-6026 USA  
 1.800.253.1561 | 616.459.3311  
 Fax: 877.636.3290  
[www.kv.com](http://www.kv.com)

This and other KV literature is available for download at [www.kv.com](http://www.kv.com) > Resource Library

Knape & Vogt reserves the right to change product specifications at any time without notice and without incurring responsibility for existing units.  
 ©2017 Knape & Vogt. KV and the KV logo are trademarks of Knape & Vogt.

OL2505/0717