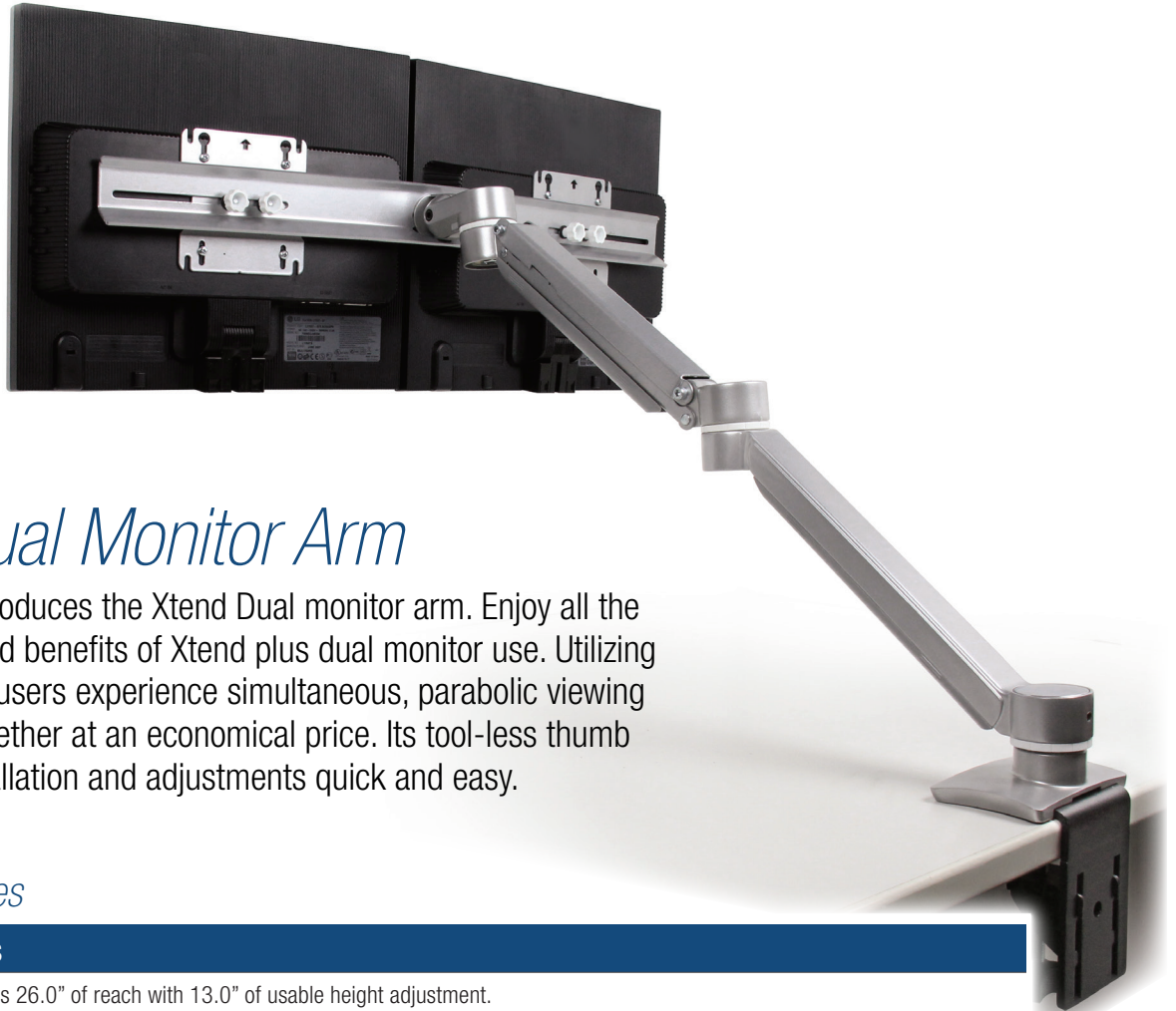




KNAPE  
& VOGT®



## *Xtend Dual Monitor Arm*

Knap & Vogt introduces the Xtend Dual monitor arm. Enjoy all the same features and benefits of Xtend plus dual monitor use. Utilizing a dual cross bar, users experience simultaneous, parabolic viewing of 2 monitors together at an economical price. Its tool-less thumb knobs make installation and adjustments quick and easy.

### *7822J02 Series*

#### Features & Benefits

Best in class arm provides 26.0" of reach with 13.0" of usable height adjustment.

Visually appealing pole-less monitor arm folds into a 4-3/8" area for more desk space in smaller work environments.

Tool-less clamp installation makes assembly quick and easy.

Flexibility and more options for the end user with a simple, easy-to-use Allen wrench adjustment to counterbalance the weight of the monitor.

With a clamping range of 0" to 2-5/8" (clamp) that is standard for the Xtend, this new arm will fit to any work surface.

Enclosed cable management system hides cables

Counterbalanced spring technology allows for 2 to 20 lbs load maximum (max 10 lbs per screen)

Clamp and grommet mounting options.

Dual Crossbar holds monitors up to 22.0" horizontal width each.

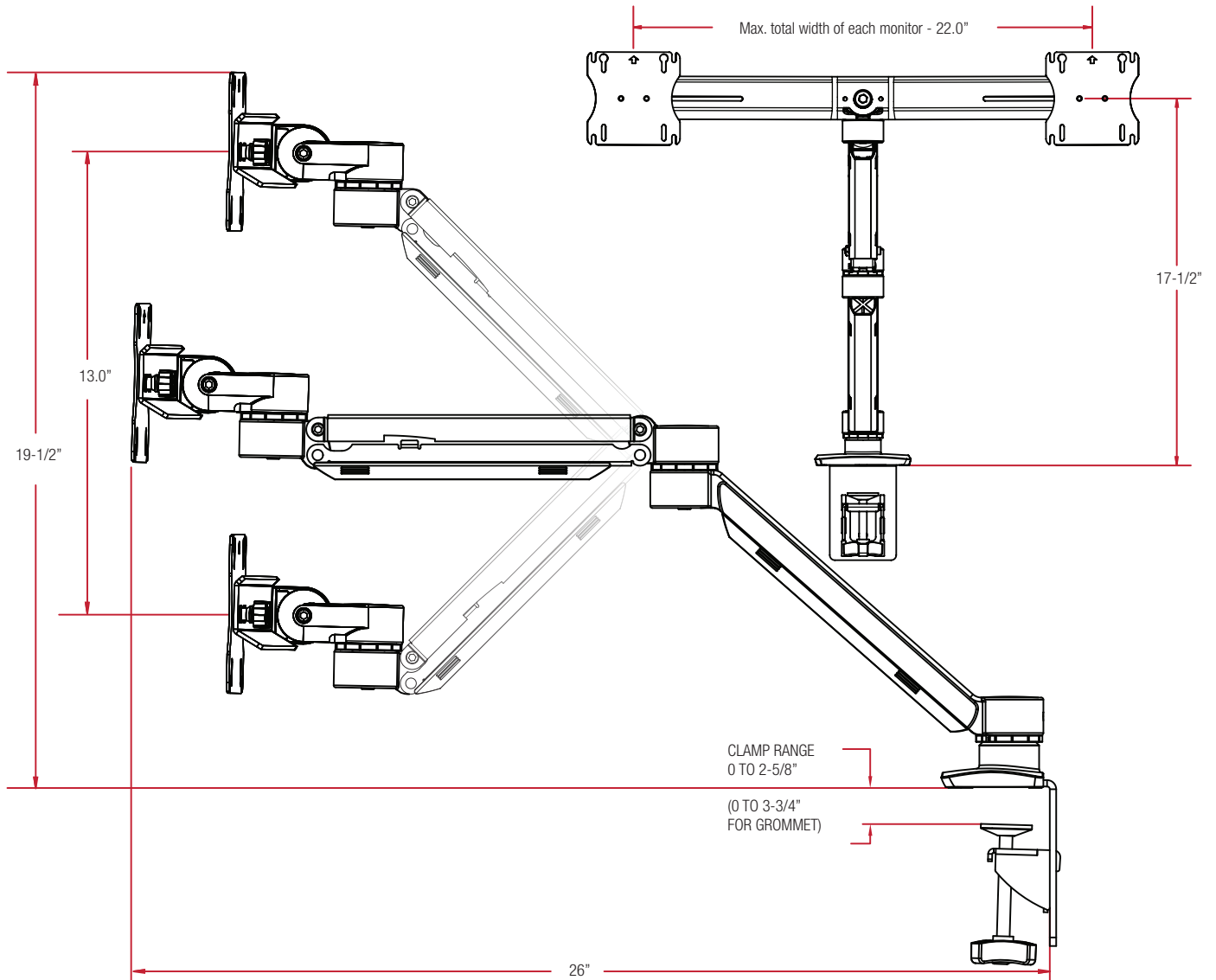
Preset 15° parabolic array provides easier viewing, reducing eye strain.

Adjustable face plates with tool-less thumb knobs for quick and easy adjustments & installation

The arm swivels 360° around the base, increasing the options for display position.

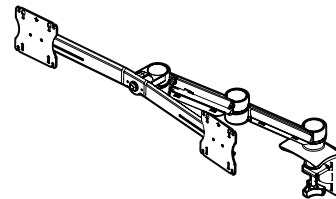
Choice of colors – silver, white or black

Made in USA- TAA compliant. Meets GSA bid requirement.



*Xtend Dual Monitor Arm* 7822J02 Series

Model	Colour	Weight	Description
7822SJ02	Silver	9.4 lbs	Two screen, dual extension cross bar with one height-adjustable segment
7822BJ02	Black	9.4 lbs	Two screen, dual extension cross bar with one height-adjustable segment
7822WJ02	White	9.4 lbs	Two screen, dual extension cross bar with one height-adjustable segment



Finish: Black, White, Silver

Notes: 1. Weight = packaged shipping weight per unit. 2. Specifications are subject to change without notice.