

## Light-Duty

65 lb. Load Class

1/2" Side Clearance

Max. Drawer Width: 24"



# 4430 Full Extension Push-to-Open Low Profile Drawer Slide

The 4430 Full Extension Push-to-Open Low Profile Drawer Slide is designed to accommodate lighter and shallower low height drawers for home and commercial applications that are absent of knobs and pulls. Xpander™ adjustment allows fine tuning of Push-to-Open feature in wider drawers.

## Applications

- Wood residential and commercial furniture
- Drawers absent of knobs, pulls or handles
- Lighter weight applications
- Short drawer height applications

## Specifications

**Model:** 4430 Full Extension Push-to-Open Low Profile Drawer Slide

**Module:** Push-to-Open

**Mounting:** Side

**Disconnect:** Lever

**Hole Pattern:** 32mm and Traditional

**Face Frame Mounting:** Yes

**Type:** Ball Bearing

**Travel:** Full Extension

**Finish:** Zinc Plated

**Length:** 10", 12", 14", 16", 18", 20", 22", 24"

**Clearance:** .50" + .03" - 0" on each side

**Height:** 1.42" [36mm]

**Packaging:** Bulk Pack (4430B): all sizes - 10 pair per carton

**Action:** Telescopic

**Slide Configuration:** Unhanded

## Rating

**Load:** 65 lb.

**Max. Drawer Width:** 24"

As with all Knap & Vogt drawer slides, the 4430 is designed to meet or exceed ANSI performance standards as established by BIFMA, BHMA and KCMA.

## Accessories

4101B: Rear Mounting Bracket

4104B: Front Face Frame Bracket

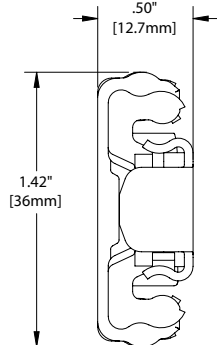
## Hardware

#7 x 1/2" Phillips Pan Head

## Warranty

Limited Lifetime Warranty

### Profile



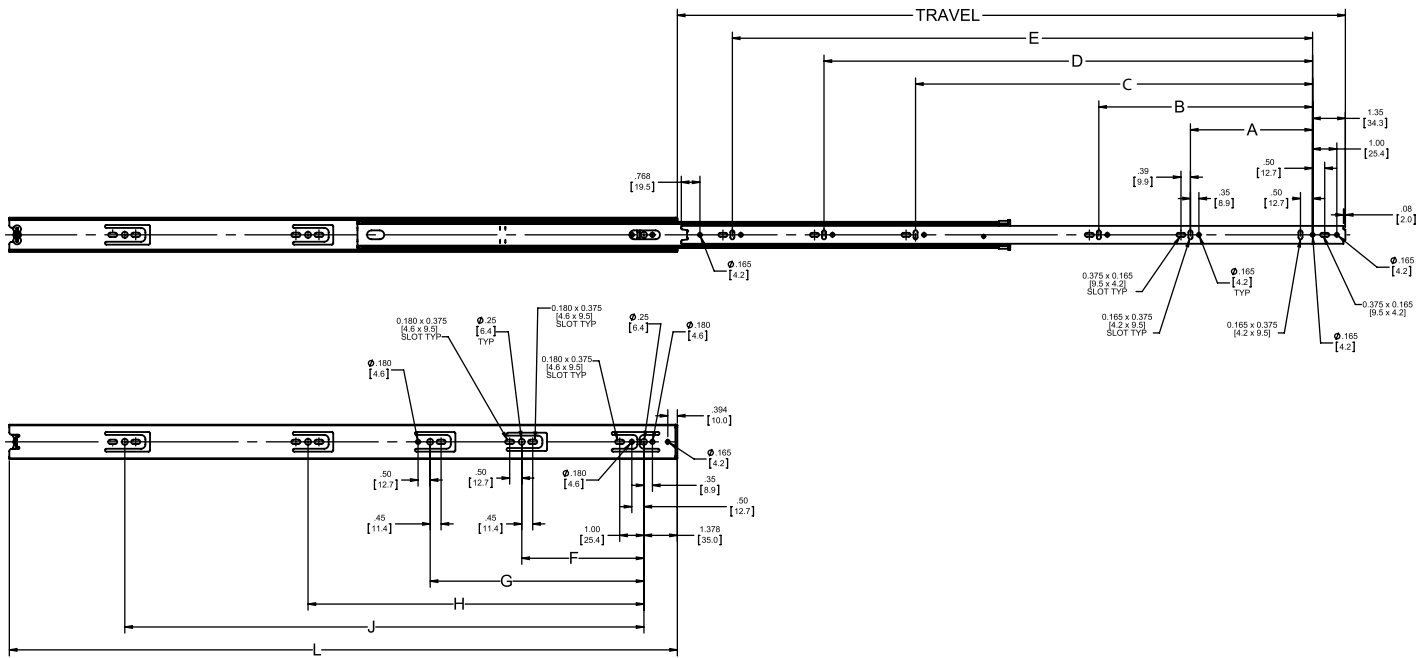
### Clearance

1/2" + 1/32" - 0"

.50" + .03" - 0"

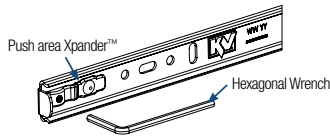
12.7mm + .8mm - 0mm

# Charted Information



SKU Number	Slide Size inch/mm	Length inch/mm	Travel inch/mm	A inch/mm	B inch/mm	C inch/mm	D inch/mm	E inch/mm	F inch/mm	G Inch/mm	H Inch/mm	J Inch/mm
4430B 10	10" [250mm]	9.84" [250mm]	9.84" [250mm]	-	-	-	-	6.30" [160]	5.04" [128mm]	8.82" [224mm]	-	-
4430B 12	12" [300mm]	11.81" [300mm]	11.81" [300mm]	-	-	-	-	8.82" [224mm]	5.04" [128mm]	8.82" [224mm]	-	-
4430B 14	14" [350mm]	13.78" [350mm]	13.78" [350mm]	5.04" [128mm]	-	-	-	10.08" [256mm]	5.04" [128mm]	8.82" [224mm]	-	-
4430B 16	16" [400mm]	15.75" [400mm]	15.75" [400mm]	5.04" [128mm]	-	-	-	11.34" [288mm]	5.04" [128mm]	8.82" [224mm]	12.60" [320mm]	-
4430B 18	18" [450mm]	17.72" [450mm]	17.72" [450mm]	5.04" [128mm]	-	-	-	12.60" [320mm]	5.04" [128mm]	8.82" [224mm]	13.86" [352mm]	-
4430B 20	20" [500mm]	19.69" [500mm]	19.69" [500mm]	5.04" [128mm]	12.60" [320mm]	-	-	16.38" [416mm]	5.04" [128mm]	8.82" [224mm]	16.38" [416mm]	-
4430B 22	22" [550mm]	21.65" [550mm]	21.65" [550mm]	5.04" [128mm]	12.60" [320mm]	-	-	16.38" [416mm]	5.04" [128mm]	8.82" [224mm]	13.86" [352mm]	17.64" [448mm]
4430B 24	24" [600mm]	23.62" [600mm]	23.62" [600mm]	5.04" [128mm]	8.82" [224mm]	16.38" [416mm]	-	20.16" [512mm]	5.04" [128mm]	8.82" [224mm]	13.86" [352mm]	18.90" [480mm]

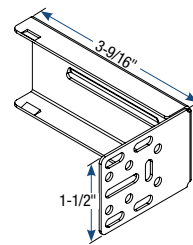
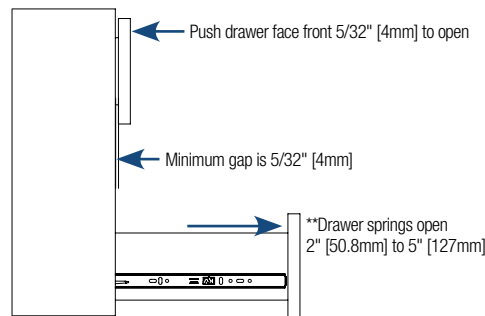
## Xpander™ Adjustment



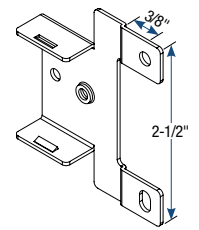
Designed to improve push-to-open operation, especially for wider drawers. Tighten or loosen Xpander™ adjustment modules on both sides with provided hexagonal wrench.



## Min. Drawer Front Gap



4101B Rear Mounting Bracket



4104B Front Face Frame Bracket



**KNAPE & VOGT.**

2700 Oak Industrial Dr. NE  
Grand Rapids, MI 49505-6026 USA  
1.800.253.1561 | 616.459.3311  
Fax: 877.636.3290  
www.kv.com

The 4430 Drawer slide is designed for applications in the 65 pound class with maximum drawer width of 24". Slides are tested to meet or ANSI performance standards as established by BIFMA, KCMA and BHMA.

Knap & Vogt reserves the right to change product specifications at any time without notice and without incurring responsibility for existing units.

©2015 Knap & Vogt. KV and the KV logo are trademarks of Knap & Vogt.

0L2526/0815