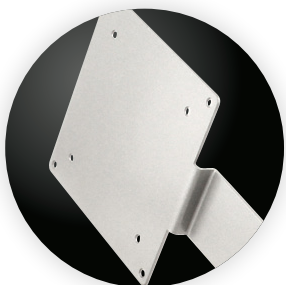
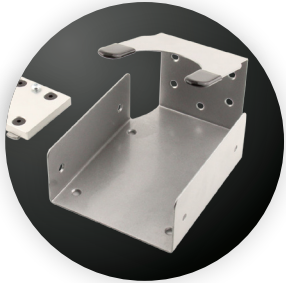


# Scanner Holder



KNAPE & VOGT®



## INTELLIGENTLY DESIGNED

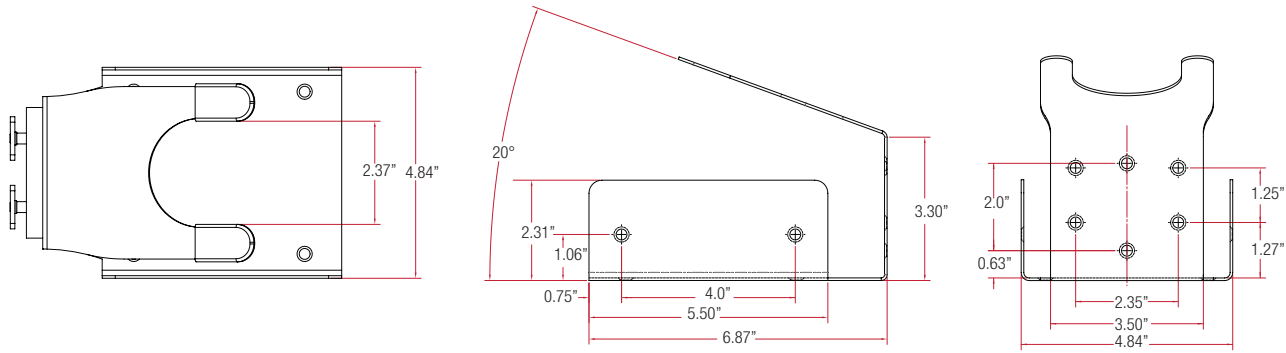
- Universal scanner holders are compatible with all Fluid, Fusion and CX series of products
- Optional Vesa or track mounted units ensure scanners are easily accessible and do not interfere with work flow

## INSTALLS IN MINUTES

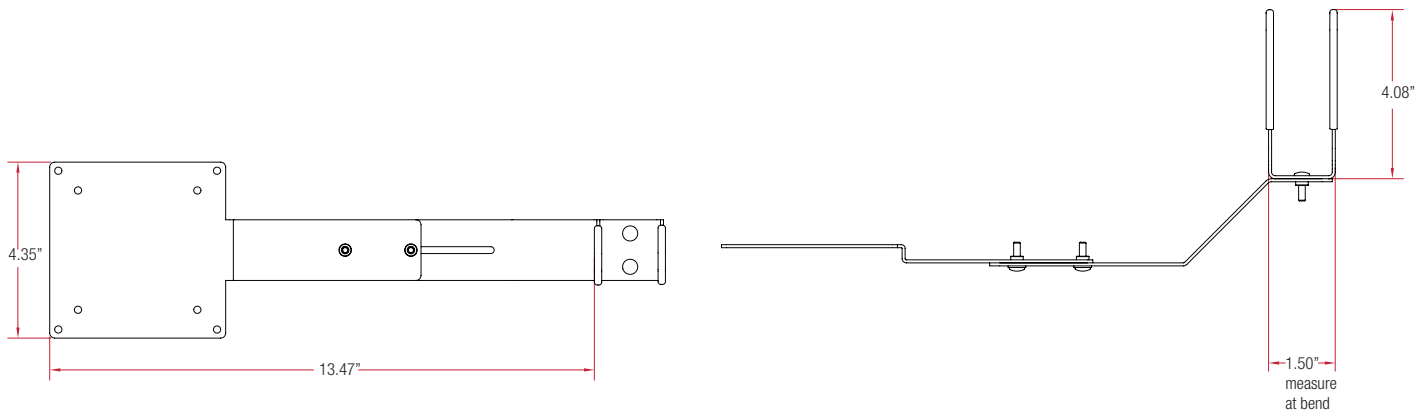
- Easy, effortless one step installation
- Complete mounting hardware is supplied resulting in seamless integration to the monitor or track

## BUILT FOR LIFE

- Anodized aluminium construction ensures maximum durability
- Scanner with point of care access prevents workflow interruption

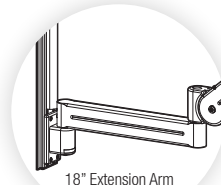


ACCSN01-S

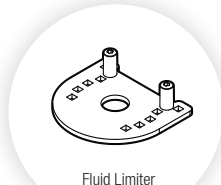


ACCSN02-S

Fluid™  
Accessories



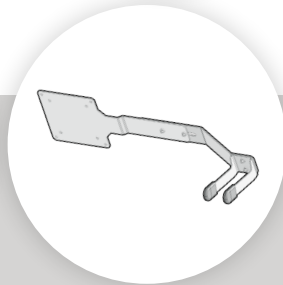
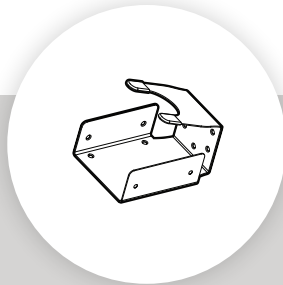
18" Extension Arm



Fluid Limiter



CPU Holder



Silver



Finish:

## Scanner Holder

Fluid Series

Model	Description	Shipping Weight	Box Dimensions
ACCSN01-S	Scanner holder	1 lbs.	5" x 9" x 3"
ACCSN02-S	Scanner holder	4 lbs.	5" x 9" x 3"



2700 Oak Industrial Dr. NE  
Grand Rapids, MI 49505-6026 USA  
1.800.253.1561 | 616.459.3311  
Fax: 877.636.3290  
www.kv.com

Knappe & Vogt Waterloo - 501 Manitou Drive,  
Kitchener Ontario, Canada N2C 1L2  
1.866.521.8028 | 1.519.748.5060  
Fax 519.748.4783  
www.healthcare.kv.com