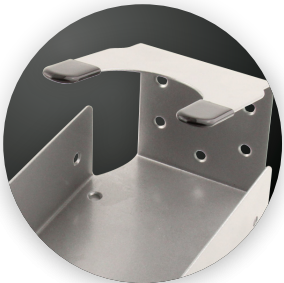
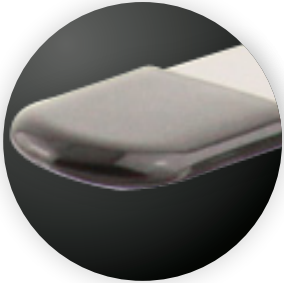


Scanner Holder



KNAPE & VOGT®



INTELLIGENTLY DESIGNED

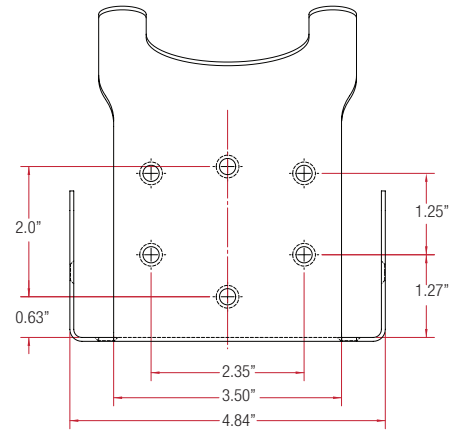
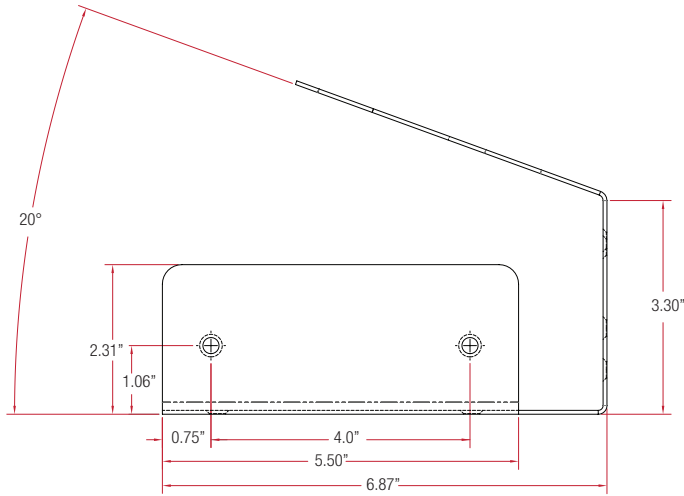
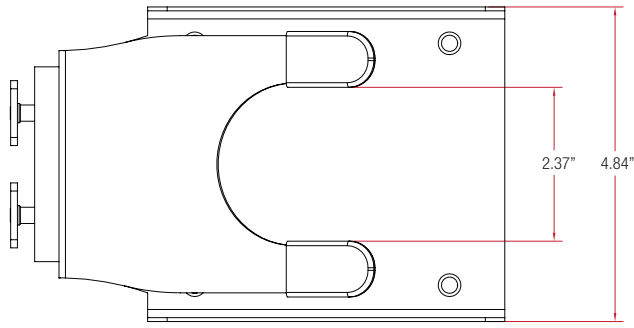
- Universal scanner holder is compatible with Fluid, CX and RX series of products
- Scanner accessible without interfering with the work surface
- Dedicated placement of the scanner holder makes using the scanner easy for end users

INSTALLS IN MINUTES

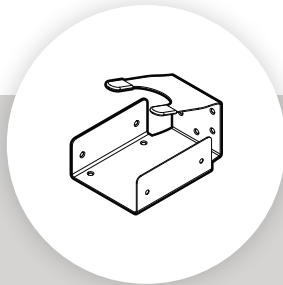
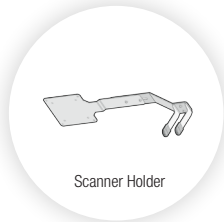
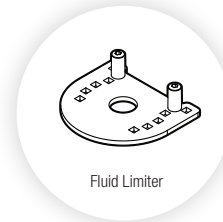
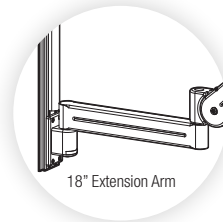
- Easy, effortless one step installation
- Complete mounting hardware is supplied resulting in seamless integration to the track
- Forked design is angled to prevent slippage and to keep the scanner secure

BUILT FOR LIFE

- Anodized aluminium construction ensures maximum durability
- Scanner with point of care access prevents workflow interruption



Fluid™
Accessories



Silver

Finish:



Scanner Holder

Fluid Series

Model	Description	Shipping Weight	Box Dimensions
ACCSCN01-S	Scanner holder	?? lbs.	



2700 Oak Industrial Dr. NE
Grand Rapids, MI 49505-6026 USA
1.800.253.1561 | 616.459.3311
Fax: 877.636.3290
www.kv.com

Knapé & Vogt Waterloo - 501 Manitou Drive,
Kitchener Ontario, Canada N2C 1L2
1.866.521.8028 | 1.519.748.5060
Fax 519.748.4783
www.healthcare.kv.com

OL2531/0314