

Wall Track



INTELLIGENTLY DESIGNED

- Interchangeable track is compatible with Fluid, CX and RX series of products
- Optional lengths allow for additional accessories or peripherals to be adjustable in position
- Supplied with a track management cover to conceal all wires and cables

INSTALLS IN MINUTES

- Easy, effortless one step installation
- Complete mounting hardware is supplied resulting in seamless integration into multiple surfaces
- 32" and 48" track allows for direct to drywall applications optimizing locations with limited real estate

BUILT FOR LIFE

- Anodized aluminium construction ensures maximum durability
- OSHPD approved confirms installations meet local building codes and infrastructure requirements

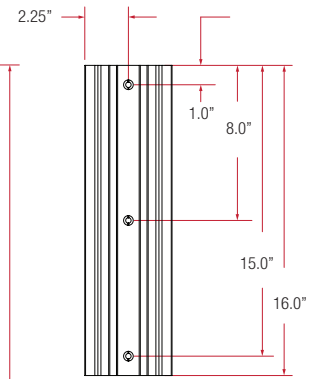
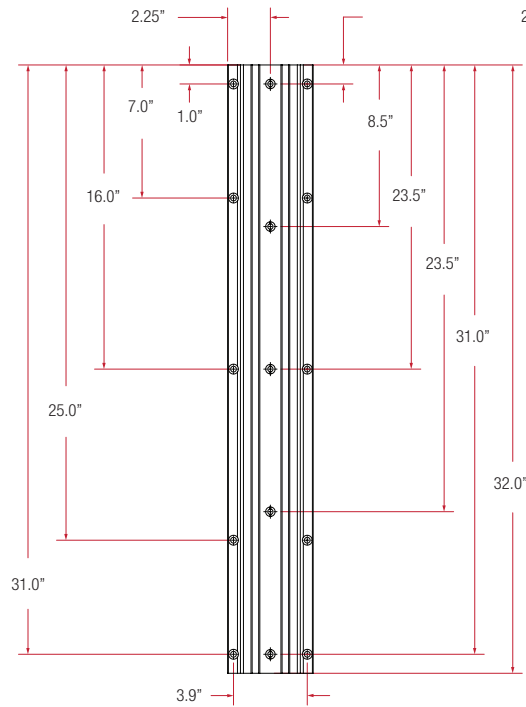
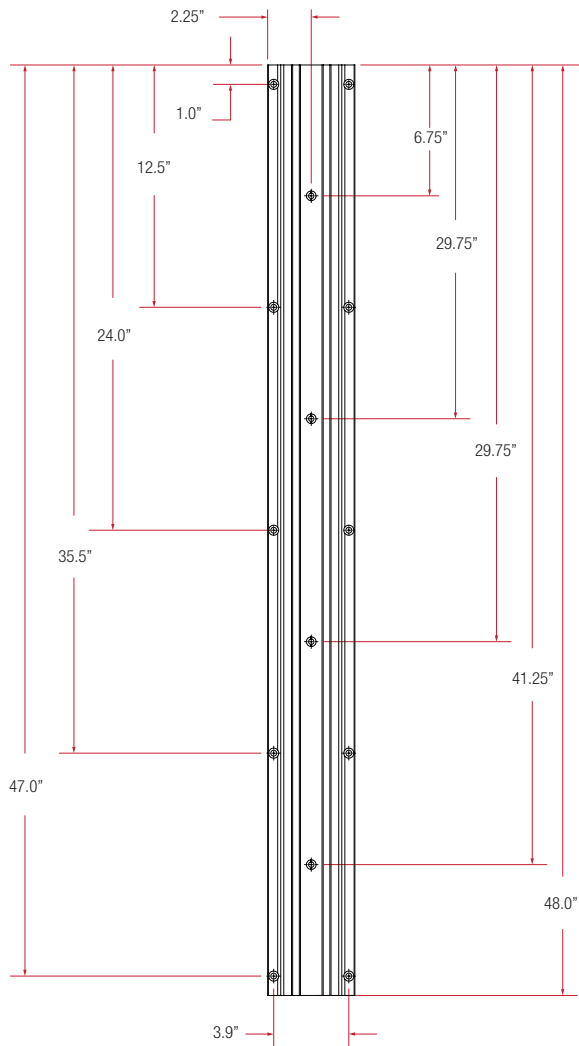
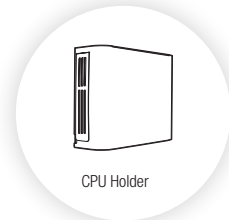
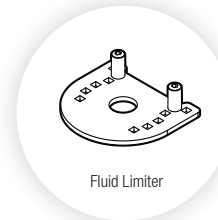
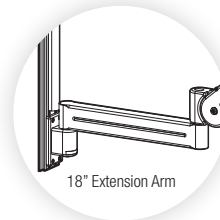
ACCTS48-S



ACCTS32-S



ACCTS16-S

Fluid™
Accessories

Silver

Finish:



Wall Track

Fluid Series

Model	Description	Shipping Weight	Box Dimensions	Track Length
ACCTS16-S	Universal Track	7 lbs.	4.0" x 5.0" x 35.0"	16"
ACCTS32-S	Universal Track	10 lbs.	4.0" x 5.0" x 35.0"	32"
ACCTS48-S	Universal Track	13 lbs.	4.0" x 5.0" x 50.0"	48"