

CX Track Mount



Intelligently Designed

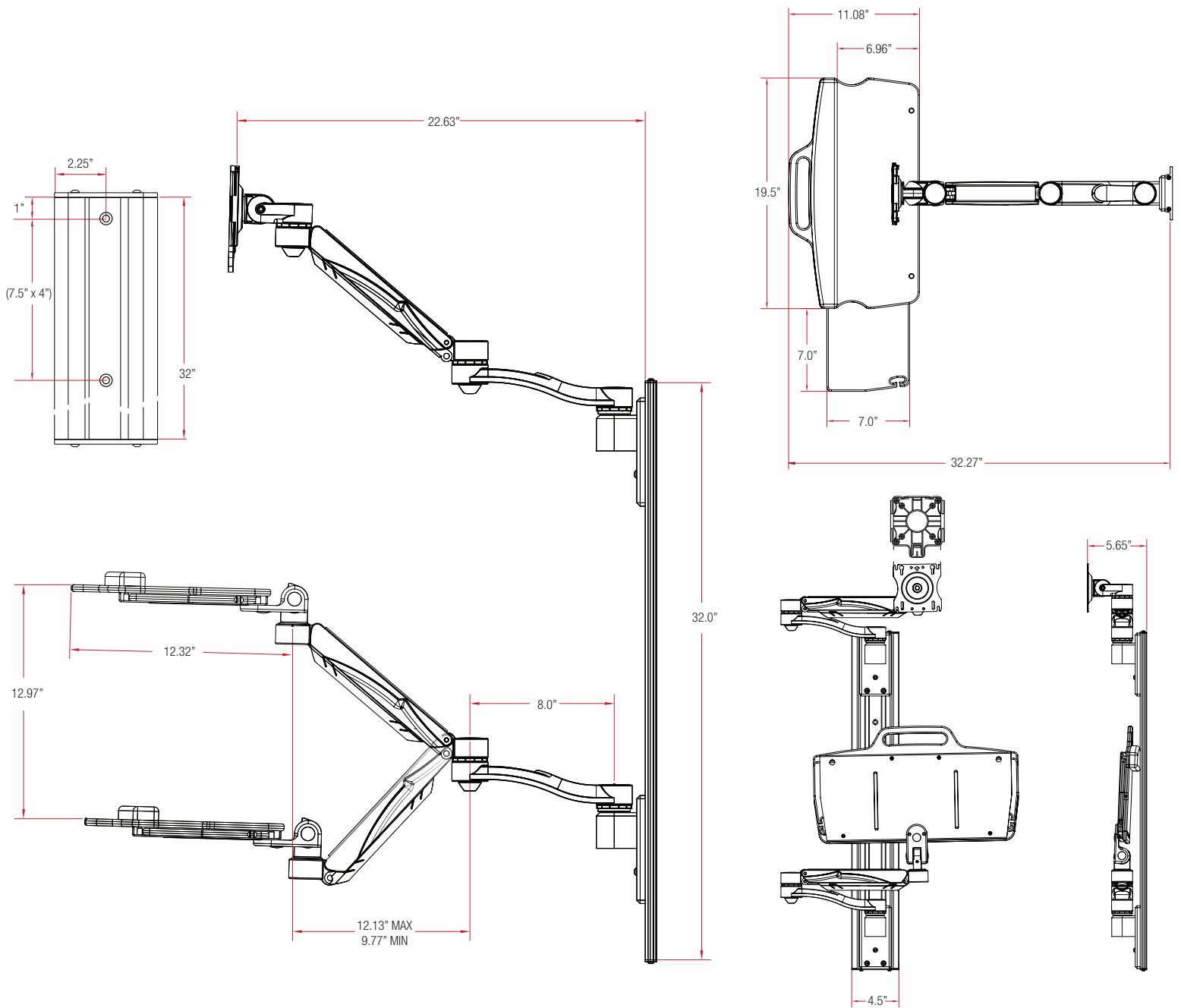
- Single handed counter balance adjustments are effortless, optimizing workflow efficiencies while sitting or standing
- Keyboard flips up 90° for a compact storage position when not in use
- OSHPD Approved, ensuring installations meet local building codes and infrastructure requirements

Installs in Minutes

- Ships pre-assembled resulting in minimal after sale installation costs and reduced “down time” for critical care areas
- Complete mounting hardware is supplied resulting in seamless integration into multiple mounting surfaces
- Quick connect Vesa adapter allows for single person integrations and portrait to landscape preferences

Built for Life

- Designed for long term dependability, with varying EMR implementations and adaptations, maximizing return on investment
- Maintains high infection control standards with durable anti-microbial agents incorporated into all contact surfaces
- Manufactured of steel, aluminum and high density polyethylene materials supporting high performance long-term usage

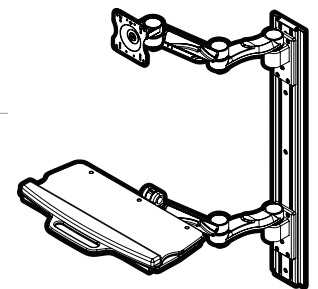


OPA Number - 2479.10

CX Track Mount - CX Series

Model	Description	LCD Height Adjustment Range	Keyboard Max. Weight	LCD Max. Weight	LCD Rotation	Mounting Standard	Box Size	Shipping Weight
154420S32	Concerto Dual Arm	12.375"	20 lbs.	20 lbs.	360°	VESA 75mm/100mm	20" x 36" x 8"	3.0 lbs.

Notes: 1. Weight = packaged shipping weight per unit. 2. Specifications are subject to change without notice. Shipping Weight: 52 lbs. Box Dimensions: 36 1/4" x 21" x 8 7/8"



2700 Oak Industrial Dr. NE
 Grand Rapids, MI 49505-6026 USA
 1.800.253.1561 | 616.459.3311
 Fax: 877.636.3290
www.kv.com

This and other KV literature is available for download at www.kv.com > Resource Library

Knappe & Vogt reserves the right to change product specifications at any time without notice and without incurring responsibility for existing units.
 ©2015 Knappe & Vogt. KV and the KV logo are trademarks of Knappe & Vogt.

0L2535/0116