



6011 Series

Altissimo™ Sit-Stand Workstation

CLEARANCE
Stock may be limited.

KV is pleased to introduce the Altissimo™ Sit-Stand Workstation that will allow users to adjust their work surface to an ergonomic seated or standing position in a smooth and effortless motion.

As the only HFES compliant rear-mounted sit-stand

workstation on the market, the Altissimo™ provides ultimate comfort and flexibility for the user with industry leading stability and ergonomic support.

Beautifully designed, the Altissimo™ will complement every working environment and provide a comfortable and healthy experience for every user.

6011 Series, with keyboard tray and shelf

Features

With over 22" of gas assisted positioning, the Altissimo moves easily and effortlessly as users transition from seated to standing positions. Accommodates users ranging from the 5th percentile seated female to the 95th percentile standing male.

The Altissimo™ cleverly mounts at the rear of the work surface and extends forward so the keyboard tray may rest below the desk surface supporting proper ergonomic positioning. Using this location for mounting allows the user to swing the unit out of the way leaving the desk surface fully accessible.

Comes with 9.5" of counter balanced height adjustment, 45° of tilt, and 90° of portrait to landscape rotation, monitors may be ergonomically positioned for optimal viewing.

The Altissimo™ accommodates installed technology ranging from 5 to 25 lbs, specifically supporting LCD screens that weigh between 5-20 lbs.

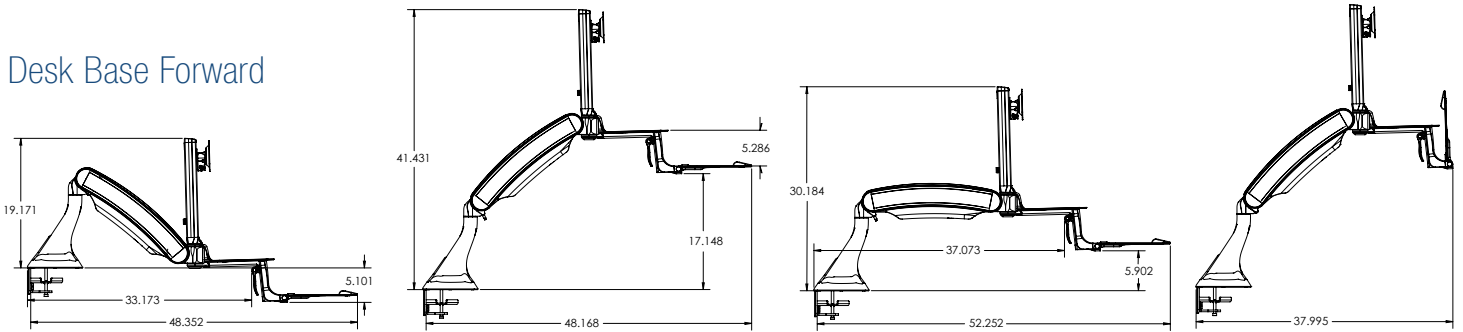
The grommet mount included with the Altissimo™ Workstation promotes endless possibilities for mounting locations, through the installation of a 5/8" mounting hole. The c-clamp mount that is also included allows the dual directional base to be installed on either 24" or 30" deep work surfaces.

The integral dual tray system offers a spacious keyboard and mouse platform with an adjustable tilt mechanism for comfort settings, as well as a secondary surface for placing items which need to remain close at hand while working in either a seated or standing position.

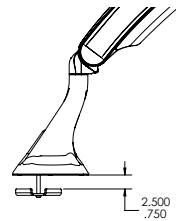
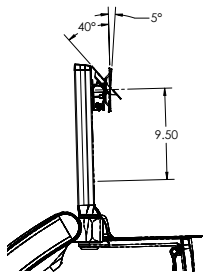
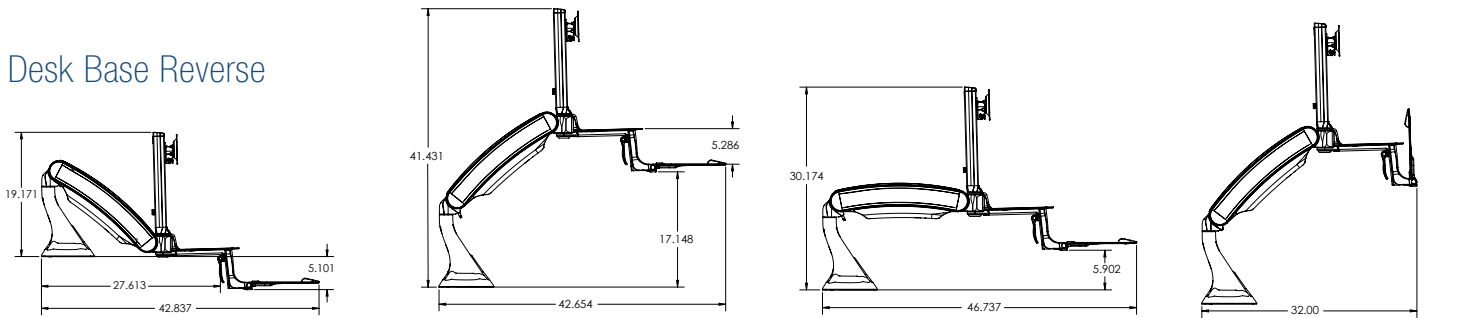
Information sharing is seamless as the monitor tower rotates independently from the work surface through 180° left and right range.

Tested to 20,000 cycles (with the exception of the monitor tower which is supported up to 10,000 cycles) and comes with a 5 year warranty.

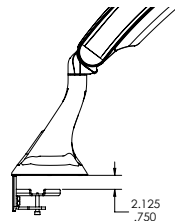
Desk Base Forward



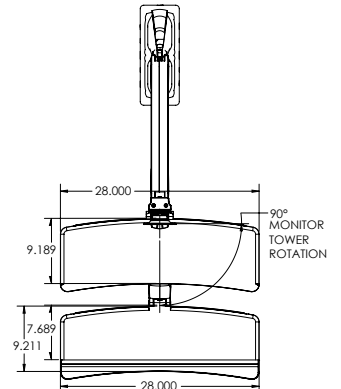
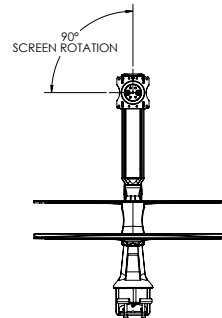
Desk Base Reverse



Grommet Mount



Clamp Mount



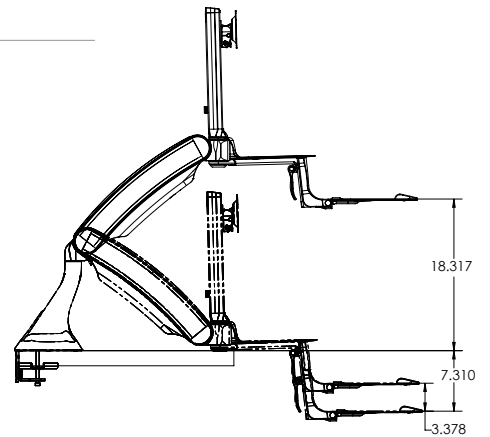
Altissimo™ Sit-Stand Workstation

6011 series, with keyboard tray and shelf

Ancillary Products:

- Use with Knape & Vogt Waterloo CPU holders
- Altissimo Dual Mount Kit

Model	Adjustment Range	Weight Capacity	Tray Dimensions	Color	Weight
6011Y2	22"	25 lbs	9" D x 28" W	White/Gray Accents	37 lbs
6011E2	22"	25 lbs	9" D x 28" W	Black/Black Accents	37 lbs
6011AS2	22"	25 lbs	9" D x 28" W	Silver/Gray Accents	37 lbs



Notes: 1. Weight = packaged shipping weight per unit. 2. Specifications are subject to change without notice.



2700 Oak Industrial Dr. NE
Grand Rapids, MI 49505-6026 USA
1.800.253.1561 | 616.459.3311
Fax: 877.636.3290
www.kv.com

This and other KV literature is available for download at www.kv.com > Resource Library

Knape & Vogt reserves the right to change product specifications at any time without notice and without incurring responsibility for existing units.
©2020 Knape & Vogt. KV and the KV logo are trademarks of Knape & Vogt.