

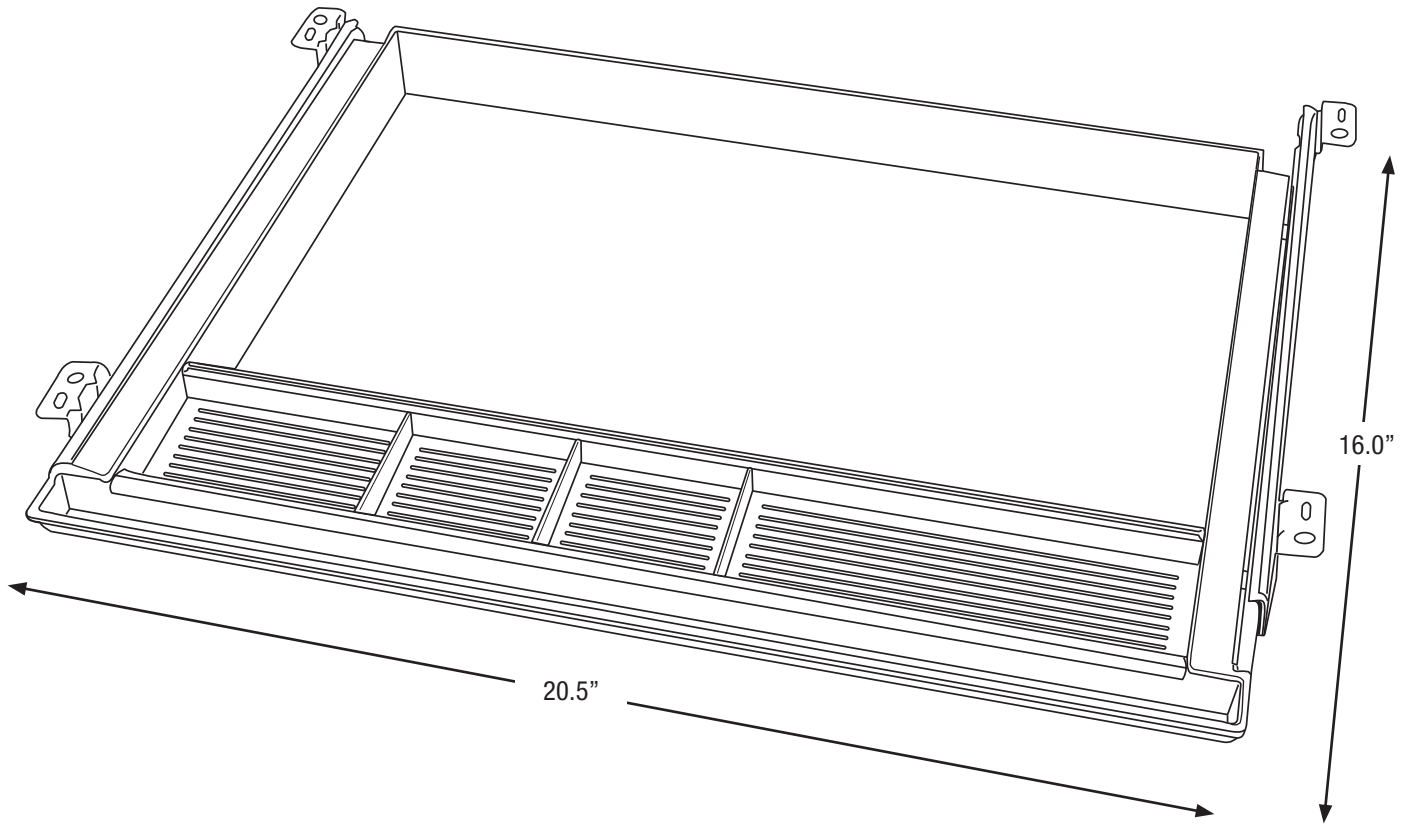


KD-75

KD-75

Light Duty Keyboard Drawer
with Front Storage Area for
Keyboard Only Applications.

Features	Benefits
Molded plastic keyboard tray 20.5" wide x 16.0" deep	Drawer area supports most small and large keyboard sizes
Molded front storage area	Compartmentalized storage for pens paper clips etc.
Precision Ball Bearing Slides with detent feature	Smooth drawer opening and retraction with hold out feature
Adjustable drop height feature provided on side brackets	Seven height adjustments for ergonomic adjustment of drawer from 2.3" to 3.6"
Mounting hardware provided	Quick and easy installation



Note: Brackets mount in outboard position under work surface for application widths 29" or greater, and in the inboard position for widths less than 26.7"

KD-75 Keyboard Drawer with Front Storage Compartment

Ancillary Products:

- Use with Knape & Vogt CPU holders
- For flat panel displays, use the KV Concerto or Xtend series of monitor supports

Model	Keyboard Drawer Width	Keyboard Drawer Depth	Load Rating	Material	Weight
KD-75	20.5"	16.0"	20.0 lbs	Injection Molded Plastic (Black)	5.0 lbs



Finish: Black
Code Compliance: Exceeds ANSI/BIFMA standards

Notes: 1. Weight = packaged shipping weight per unit. 2. Specifications are subject to change without notice.



2700 Oak Industrial Dr. NE
Grand Rapids, MI 49505-6026 USA
1.800.253.1561 | 616.459.3311
Fax: 877.636.3290
www.kv.com

ergonomx.kv.com
cs.waterloo@kv.com

OL2621/0515