

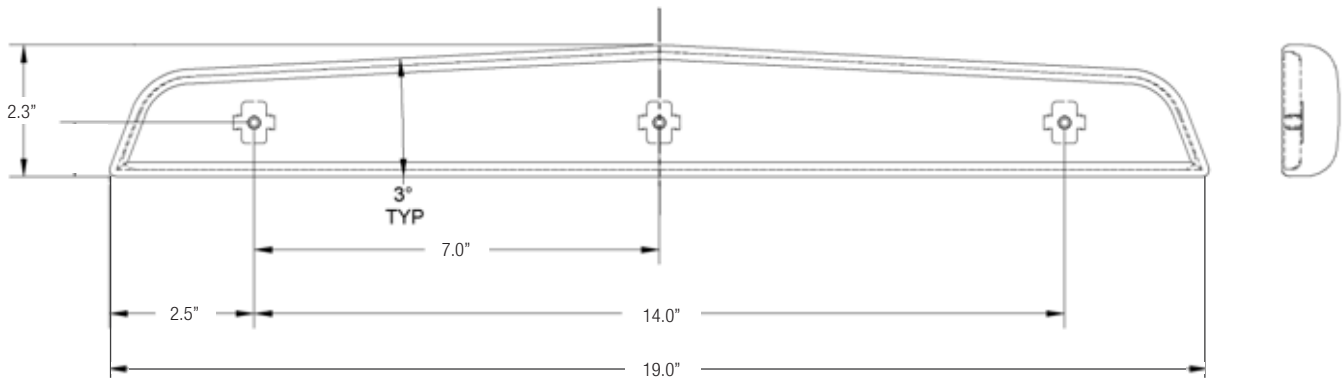


1824WR

1824WR *Palm Rest*

Vinyl covered foam filled palm rest with integral support and threaded inserts for attachment to tray.

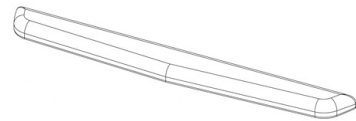
Features	Benefits
Vinyl covered foam filled construction	Durable soft finish, easily cleanable
Large palm support area 19.0" x 2.3" x 0.8" with integral support	Large cushioned palm rest providing ultimate support
Threaded inserts for attachment to tray	Securely attaches to tray surface
Use with Knappe & Vogt tray platforms	Fits KV PF Keyboard Tray



1824WR Palm Rest

Ancillary Products:

- Compatible with KVPF Tray
- Use with Knape & Vogt CPU Holders
- For Flat Panel Displays use the Knape & Vogt Concerto or Xtend series of monitor supports



Model	Palm Rest Length	Palm Rest Width	Palm Rest Height	Material	Weight
1824WR	19.0"	2.3"	0.8"	Vinyl Covered Foam	0.8 lbs

Black



Code Compliance: Exceeds ANSI/BIFMA standards

Notes: 1. Weight = packaged shipping weight per unit. 2. Specifications are subject to change without notice.



2700 Oak Industrial Dr. NE
 Grand Rapids, MI 49505-6026 USA
 1.800.253.1561 | 616.459.3311
 Fax: 877.636.3290
www.kv.com

This and other KV literature is available for download at www.kv.com > Resource Library

Knape & Vogt reserves the right to change product specifications at any time without notice and without incurring responsibility for existing units.
 ©2017 Knape & Vogt. KV and the KV logo are trademarks of Knape & Vogt.