

Waste & Recycle

Standard, Bottom-Mount Waste & Recycling Bins
SBM Series



SBM12-2-27WH



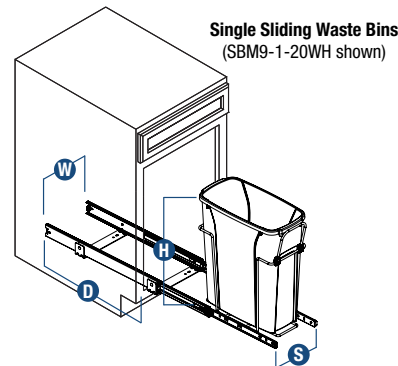
SBM9-1-20WH

Standard, Bottom-Mount Waste & Recycling Bins

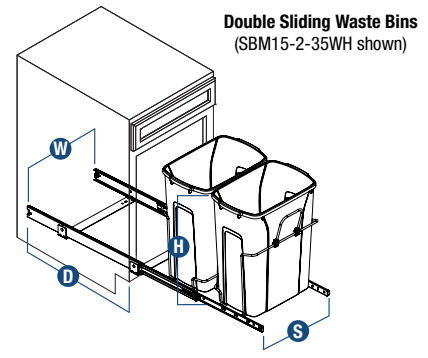
(door-mount optional)

Product Features

- KV heavy-duty ball-bearing precision slides
- Updated wire management system holds bins securely in place
- Pre-assembled units with heavy-duty mounting straps install easily with only 4 screws
- Clip-on handle comes with all single, double bin and four bin units. Integrated handle on all triple bin units
- Optional Door-Mount Bracket
- Optional lids available



Single Sliding Waste Bins
(SBM9-1-20WH shown)



Double Sliding Waste Bins
(SBM15-2-35WH shown)

Standard, Bottom-Mount Waste & Recycling Bins

Stock #	Sliding Assembly Width	Assembled Product Dimensions			Finish	Capacity per Bin	No. of Bins	Units per Carton	Weight per Carton
		Width	Height	Depth					
SINGLE BIN UNITS									
SBM9-1-20WH	8-3/8" [213 mm]	8-3/8" [213 mm]	17-5/16" [440 mm]	20-1/8" [511 mm]	White	20 qt.	1	1	10.3 lbs. [4.7 kg.]
SBM10-1-35WH	9-5/8" [244 mm]	9-5/8" [244 mm]	18-13/16" [478 mm]	20-1/8" [511 mm]	White	35 qt.	1	1	9.4 lbs. [4.3 kg.]
SBM12-1-50WH	11-3/8" [289 mm]	11-3/8" [289 mm]	22-7/8" [581 mm]	20-1/8" [511 mm]	White	50 qt.	1	1	10.5 lbs. [4.8 kg.]
SBM15-1-20WH	14-3/8" [365 mm]	14-3/8" [365 mm]	17-5/16" [440 mm]	16" [406 mm]	White	20 qt.	1	1	9.3 lbs. [4.2 kg.]
SBM15-1-35WH	14-3/8" [365 mm]	14-3/8" [365 mm]	18-3/4" [478 mm]	16" [406 mm]	White	35 qt.	1	1	14.6 lbs. [6.6 kg.]
DOUBLE BIN UNITS									
SBM12-2-27WH	11-3/8" [289 mm]	11-3/8" [289 mm]	18-3/4" [476 mm]	22" [558 mm]	White	27 qt.	2	1	12.9 lbs. [5.9 kg.]
SBM15-2-20WH	14-3/8" [365 mm]	14-3/8" [365 mm]	17-5/16" [440 mm]	20-1/8" [511 mm]	White	20 qt.	2	1	16.8 lbs. [7.6 kg.]
SBM15-2-35WH	14-3/8" [365 mm]	14-3/8" [365 mm]	18-13/16" [478 mm]	22" [558 mm]	White	35 qt.	2	1	18.3 lbs. [8.3 kg.]
TRIPLE BIN UNITS									
SBM15-3-20WH	14-3/8" [365 mm]	14-3/8" [365 mm]	17-9/16" [440 mm]	22" [558 mm]	White	20 qt.	3	1	14.9 lbs. [6.8 kg.]
FOUR BIN UNITS									
SBM24-4-27WH	23-3/8" [594 mm]	23-3/8" [594 mm]	19" [483 mm]	22" [558 mm]	White	27 qt.	4	1	18.4 lbs. [8.3 kg.]



KNAPE & VOGT.

2700 Oak Industrial Dr. NE
Grand Rapids, MI 49505-6026 USA
1.800.253.1561 | 616.459.3311
Fax: 877.636.3290
www.kv.com

This and other KV literature is available for download at www.kv.com > Resource Library

Knappe & Vogt reserves the right to change product specifications at any time without notice and without incurring responsibility for existing units.
©2015 Knappe & Vogt. KV and the KV logo are trademarks of Knappe & Vogt.

OL2651/1015