



DIS203

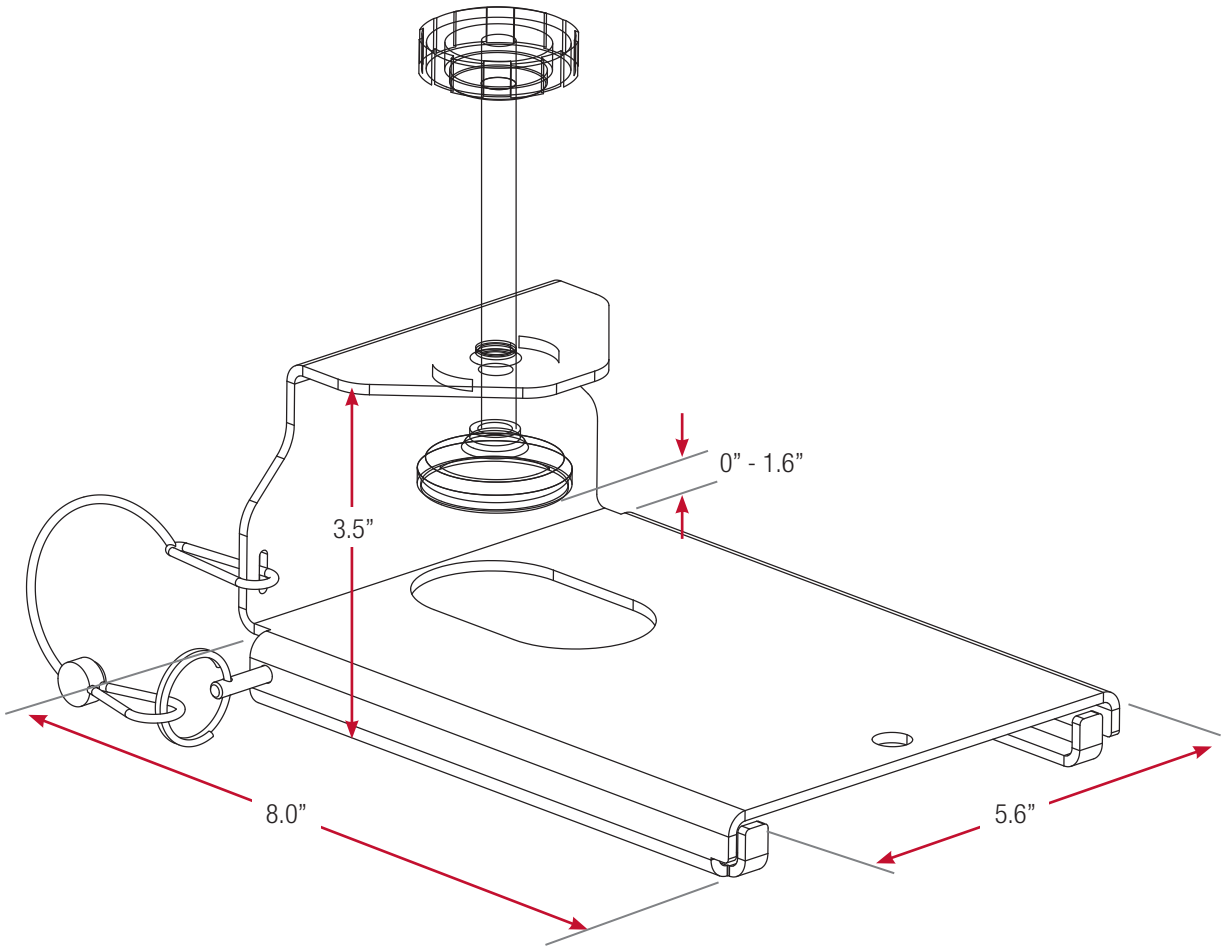
Product Base Clamp

The Product Base Clamp is an ideal presentation tool for our Keyboard Arms, CPU holders, anything that would normally store on a Glide Baseframe.

It holds product in place for effortless product demonstration.

DIS203

Features	Benefits
One screw-down clamp	Easy to install in a non-permanent manner to almost any desk or work-surface
Locking Pin	Product remains securely mounted during a demonstration
Locking Pin cable	Keeps Locking Pin attached to the clamp to prevent loss of pin
0 - 1.6" clamp adjustment	Adjusts to accommodate a wide variety of desk thicknesses
Black wrinkle paint	Aesthetically pleasing design

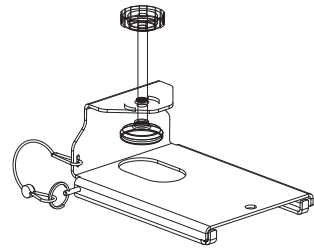


DIS203 Product Base Clamp

Ancillary Products:

- The DIS203 is an ideal complement to our Keyboard Arms and CPU holders

Model	Height	Length	Width
DIS203	3.5"	8.0"	5.6"



Black wrinkle paint



Notes: 1. Weight = packaged shipping weight per unit. 2. Specifications are subject to change without notice.



2700 Oak Industrial Dr. NE
 Grand Rapids, MI 49505-6026 USA
 1.800.253.1561 | 616.459.3311
 Fax: 877.636.3290
www.kv.com

This and other KV literature is available for download at www.kv.com > Resource Library

Knap & Vogt reserves the right to change product specifications at any time without notice and without incurring responsibility for existing units.
 ©2017 Knap & Vogt. KV and the KV logo are trademarks of Knap & Vogt.