

John Sterling™



## Architecturally Designed Wall-mount Sliding Door Hardware for Residential and Commercial Spaces

Designed to blend seamlessly with any interior décor — from a cosmopolitan Post-Modern loft, to a space-saving traditional environment. Architecturally focused design delivers a clean, finished look to any interior doorway or room divider.

# R-WM-M250A-A6

## Aluminum Wall Mount System for Sliding Doors

Aluminum 6' wall-mount track, fascia, end caps and hardware for heavy duty single door and bi-parting doors.



### Features:

- Low profile fascia and track
- End cap conceals track and fascia
- Etched Aluminum clear and dark bronze finishes
- Track supports up to 250 lbs.
- Quiet 4-wheel ball bearing carriers

### Benefits:

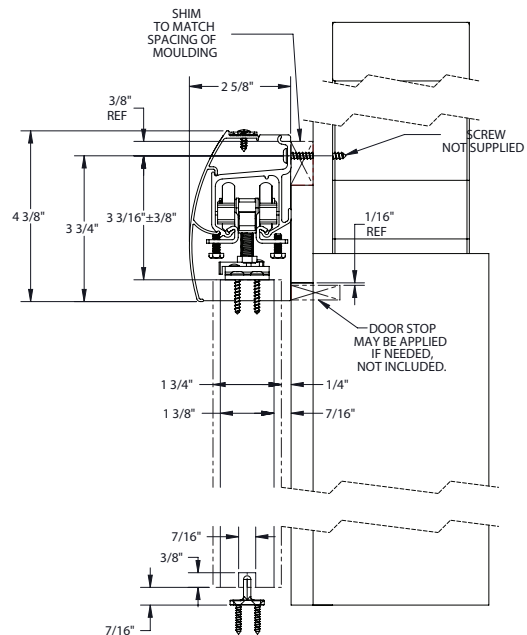
- Space saving solution for interior doorways and room dividers
- Ease of installation
- Architecturally designed fascia snaps easily on wall-mounted track
- End caps with concealed fasteners provide a finished look

### Applications:

Residential:	Commercial:
Room divider	Office
Pantry	Healthcare
Closet	Institutional
	Hospitality

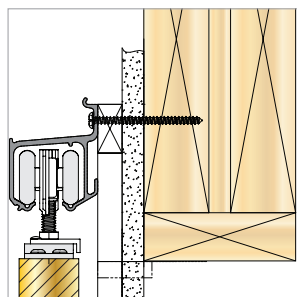
Door thickness:	1" to 1-3/4"
Load rating:	Up to 250 lbs.
Track material:	Single aluminum box track
Carrier:	4-wheel ball bearing
Compares to:	Pemko 280SWT, Johnson 2610F, 2610FB
Conforms to:	ANSI BHMA A156.14-2007 Grade 1, D8011, D8681, D8691 Grade 2, D8012, D8692 Bi-parting Grade 1, D8711 Grade 2, D8721

### Side Wall-mount

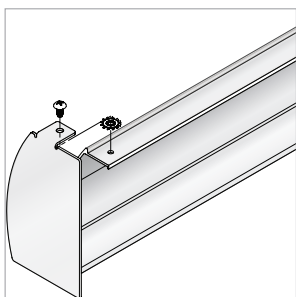


## Packaged Sets

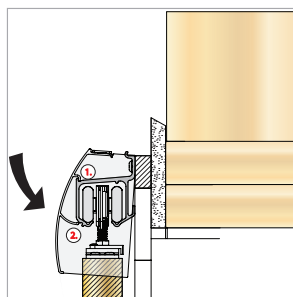
SKU	Description	Door Panel Configuration	Pack Qty	Weight (Lb)
R-WM-M250A-A-6	Track (Mill Finished), Fascia and End Caps (Anodized etched aluminum clear)	1 x 36" Door	1	14
R-WM-M250A-A-8	Track (Mill Finished), Fascia and End Caps (Anodized etched aluminum clear)	1 x 48" Door	1	18
R-WM-M250A-B-6	Track (Anodized), Fascia and End Caps (Anodized etched aluminum dark bronze)	1 x 36" Door	1	14
R-WM-M250A-B-8	Track (Anodized), Fascia and End Caps (Anodized etched aluminum dark bronze)	1 x 48" Door	1	18



Wall-Mount Track



End Cap to Fascia



Fascia to Track

