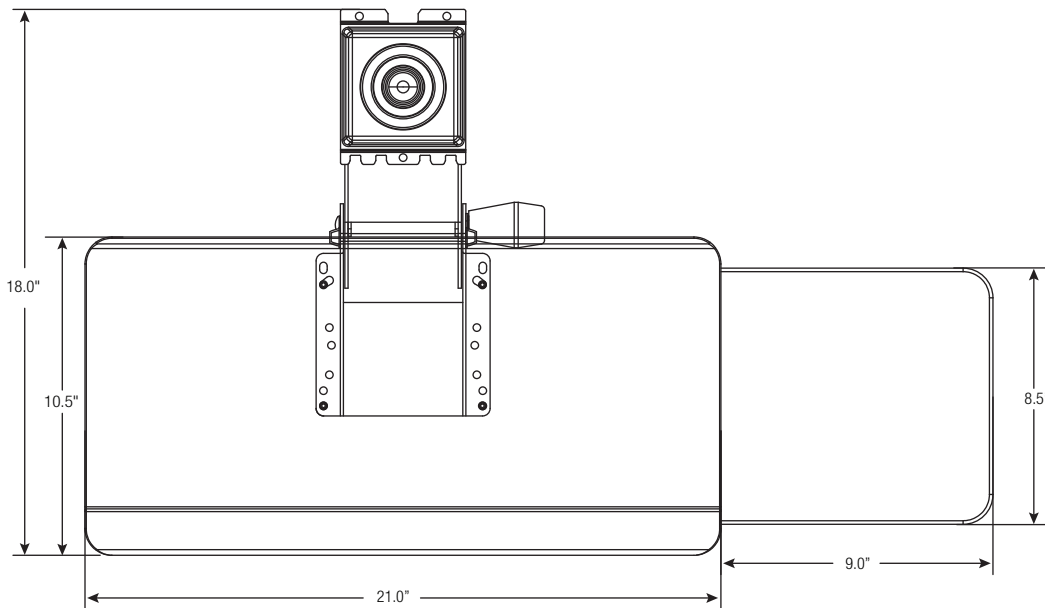
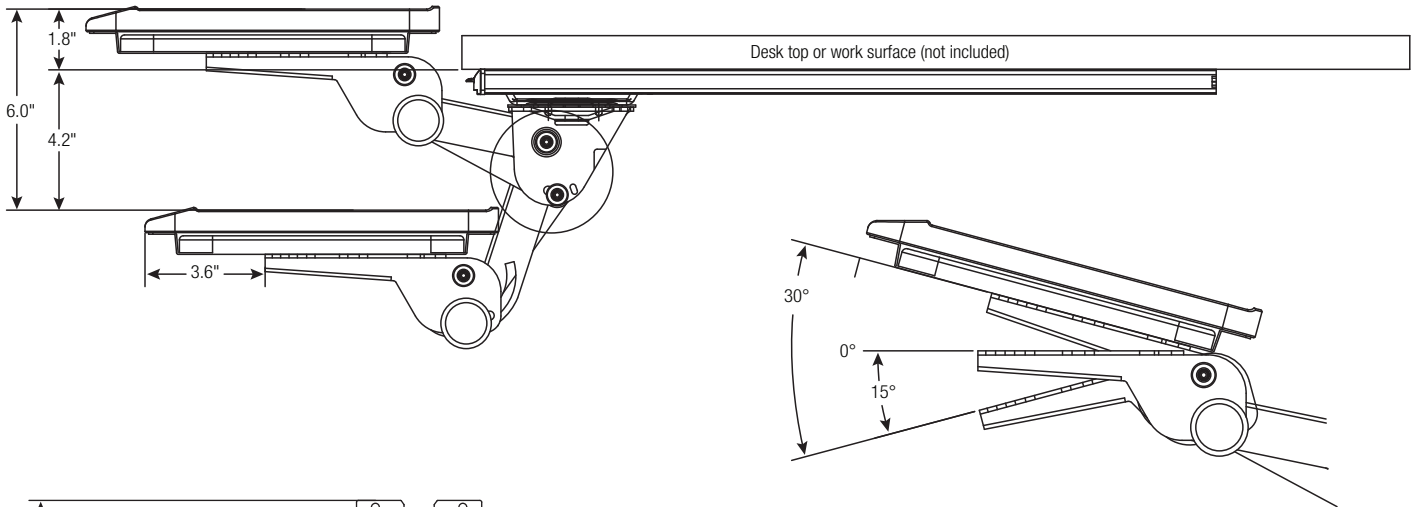


6733M1601A (6733M16 & 6421D)
6733M2101A (6733M21 & 6421D)

*6733M1601A
6733M2101A
6733M Economy Arm
with 6421D Keyboard Tray
with Slide-Through Mousing
Surface Slide-Through
Mousing Surface*

Features	Benefits
Economy Arm design with single knob for height and tilt adjustment	Single soft touch locking knob for height and tilt adjustment
17" & 21" long ball bearing storage track	Provides smooth storage under desk surface
21" W x 10.5" D rugged ABS tray assembly with built-in palm rest and anti-slip mat	Ample room for keyboard, with built-in palm rest for ergonomic comfort
MDF slide-through mousing surface	Allows for storage and ambidextrous mousing
Comes with all mounting hardware for track and keyboard tray mounting	Easy assembly of product and simple attachment to desk, with basic tools
Rugged construction	Manufactured in the USA. Tested to ANSI/ BIFMA Standards.



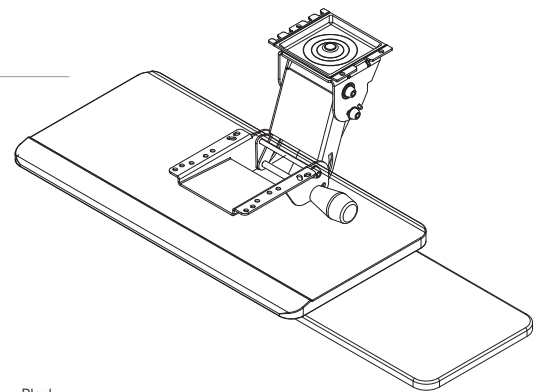
6733M1601A & 6733M2101A

6733M Economy Arm with 6421D Keyboard Tray with Slide-Through Mousing Surface

Ancillary Products:

- Use with Knap & Vogt CPU Holders
- For Flat Panel Displays use the Knap & Vogt Concerto or Xtend series of monitor supports

Model	Keyboard Tray Width	Keyboard Tray Depth	Height Above Track	Height Below Track	Track Length	Weight
6733M1601A	21.0"	10.5"	1.8"	4.2"	17"	17.53 lbs.
6733M2101A	21.0"	10.5"	1.8"	4.2"	21"	18.30 lbs.



Code Compliance: Exceeds ANSI/BIFMA standards

Notes: 1. Weight = packaged shipping weight per unit. 2. Specifications are subject to change without notice.



2700 Oak Industrial Dr. NE
 Grand Rapids, MI 49505-6026 USA
 1.800.253.1561 | 616.459.3311
 Fax: 877.636.3290
 www.kv.com

This and other KV literature is available for download at www.kv.com > Resource Library

Knap & Vogt reserves the right to change product specifications at any time without notice and without incurring responsibility for existing units.
 ©2017 Knap & Vogt. KV and the KV logo are trademarks of Knap & Vogt.