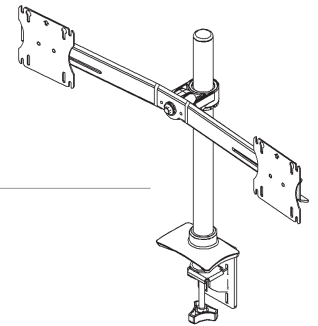
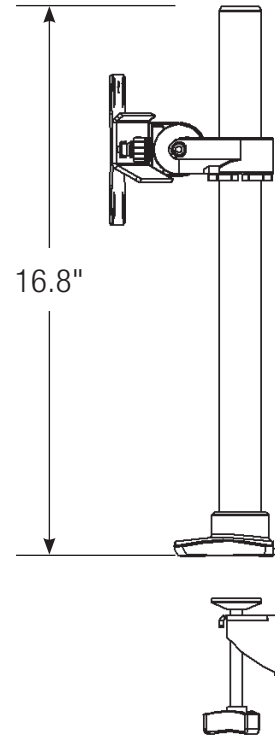
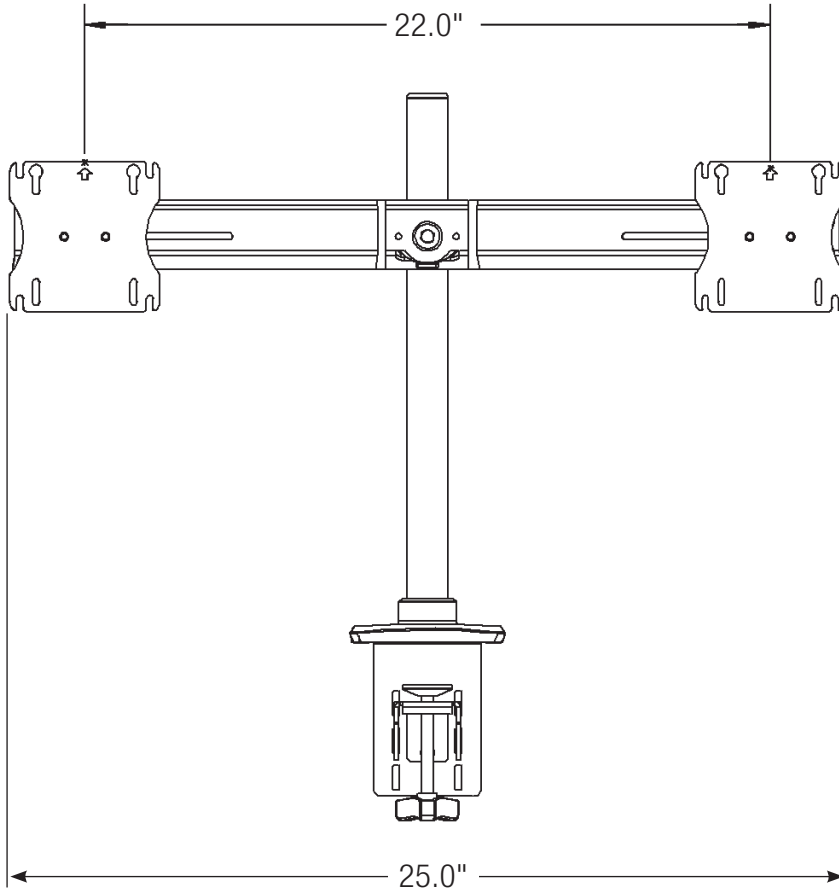
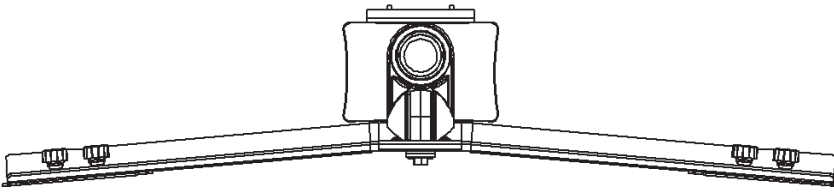


7827SJ16

# 7827SJ16

*Pole Mount Xtend with  
Dual Monitor Beam*

Features	Benefits
Simple economical construction	Rugged design at a competitive price
Comes standard with clamp and grommet mount to fit most work surfaces	One SKU provides dual mounting options to fit work surfaces from 3/4" to 2 5/8" (clamp)
Pole assembly includes 16" Pole	Provides ample height adjustment for monitors
Monitor beam incorporates adjustable dual VESA mounting plates	VESA Plates adjust to accept up to a 22" monitor (diagonal)
Fixed beam booking angle of 20°	Improves viewing comfort on wide screen arrays
Tiltable beam assembly	Adjustable for viewing comfort and reducing glare
Standard VESA hole mounting pattern with Quick Connect mounting holes	Single handed attachment contains both 75mm and 100mm hole patterns to comply with VESA Standards
Stable design for maximum support	Supports two monitors up to 10 lbs. each
Comes with all mounting hardware	Tool-less attachment to work surface
Durable powder paint finish	Available in Silver, Black & White
Made in USA	BAA compliant for GSA Bid requirements



## Pole Mount Xtend with Dual Monitor Beam

### Ancillary Products:

- Compatible with all Knap & Vogt keyboard arms
- Use with Knap & Vogt Waterloo CPU holders

Model	Description	Weight
7827SJ16	Dual Screen 16" Pole Mount with Monitor Beam	12.0 lbs.

### Colour Options

To specify colour, other than silver, replace the "S" in the part number with:

**B** = Black **W** = White **P** = Polished

For example, to get a "7827SJ16" in white, order 7827WJ16.



Notes: 1. Weight = packaged shipping weight per unit. 2. Specifications are subject to change without notice.



2700 Oak Industrial Dr. NE  
 Grand Rapids, MI 49505-6026 USA  
 1.800.253.1561 | 616.459.3311  
 Fax: 877.636.3290  
 www.kv.com

This and other KV literature is available for download at [www.kv.com](http://www.kv.com) > Resource Library

Knap & Vogt reserves the right to change product specifications at any time without notice and without incurring responsibility for existing units.  
 ©2017 Knap & Vogt. KV and the KV logo are trademarks of Knap & Vogt.