



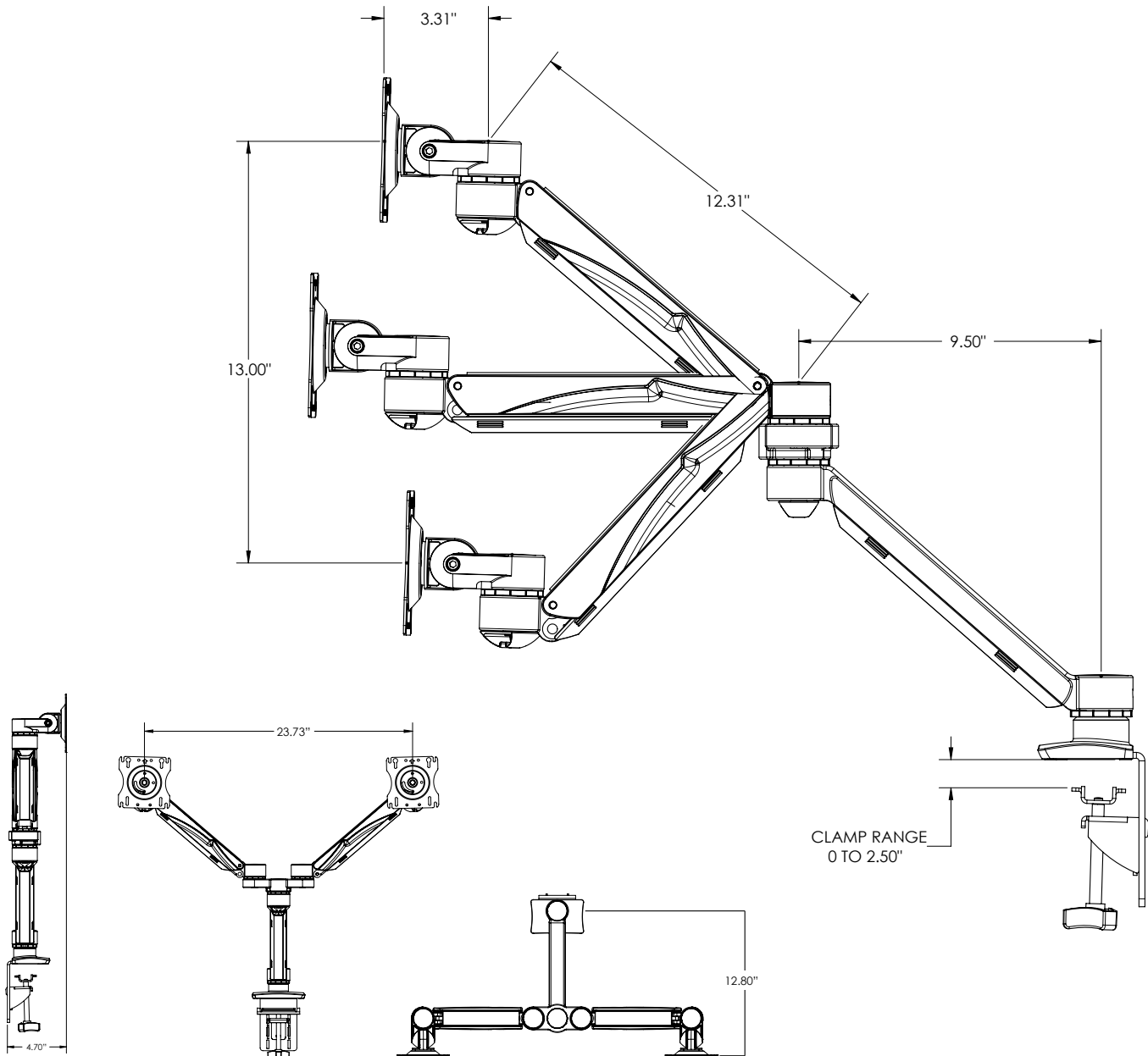
7826SHD02

Concerto Dual Arm

The 7826SHD02 dual screen monitor support adds even greater modularity and versatility to the Concerto family of products. This dual monitor support provides the user with the ability to independently height adjust each screen with improved storage capabilities. Ideal for shallow desks and benching systems.

7826SHD02

Features	Benefits
Dual independent counterbalanced monitor height adjustment	Each monitor arm can be independently height adjusted 13" via the counterbalanced arm
Single fixed arm with dual hub provides improved storage capability	Arms folds flat to a distance of 4.7" when measured from rear of mounting surface to VESA plate
Adjustable arm extension for optimal focal depth adjustment	Extension of 14.0" from rear of mounting surface to VESA plate with 23.7" monitors (arms at 90°)
Durable adjustable spring counterbalance mechanism	Provides 14 lbs. of maximum monitor weight per screen
Adjustable to support large monitors	Supports monitors up to width 23.7" (frame width)
Standard clamp and grommet mount capability	Dual mounting capability minimizes SKU requirements
Integral cable management	Securely holds cables, eliminating visual clutter
Includes VESA adaptors	Quick and easy attachments of monitors



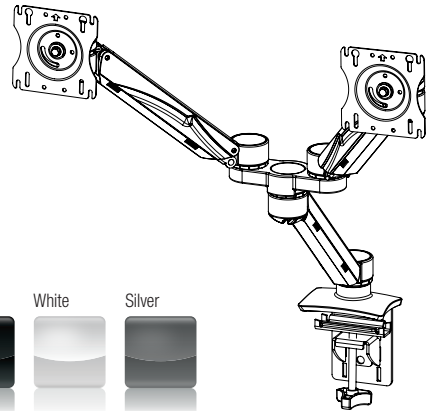
Concerto Dual Arm 7826HD02

Ancillary Products:

- Works with all Knape & Vogt keyboard arm products
- Use with Knape & Vogt CPU holders

Model	Description
7826SHD02	Dual-Screen, One fixed height extension arm with two height adjustable arms on dual hub, silver

To specify color, other than silver, replace the "S" in part number with: **B** = Black **W** = White
 For example, to get a "7826SHD02" in white, order 7826WHD02.



Finish:

Notes: 1. Weight = packaged shipping weight per unit. 2. Specifications are subject to change without notice.



2700 Oak Industrial Dr. NE
 Grand Rapids, MI 49505-6026 USA
 1.800.253.1561 | 616.459.3311
 Fax: 877.636.3290
 www.kv.com

This and other KV literature is available for download at www.kv.com > Resource Library

Knape & Vogt reserves the right to change product specifications at any time without notice and without incurring responsibility for existing units.
 ©2016 Knape & Vogt. KV and the KV logo are trademarks of Knape & Vogt.